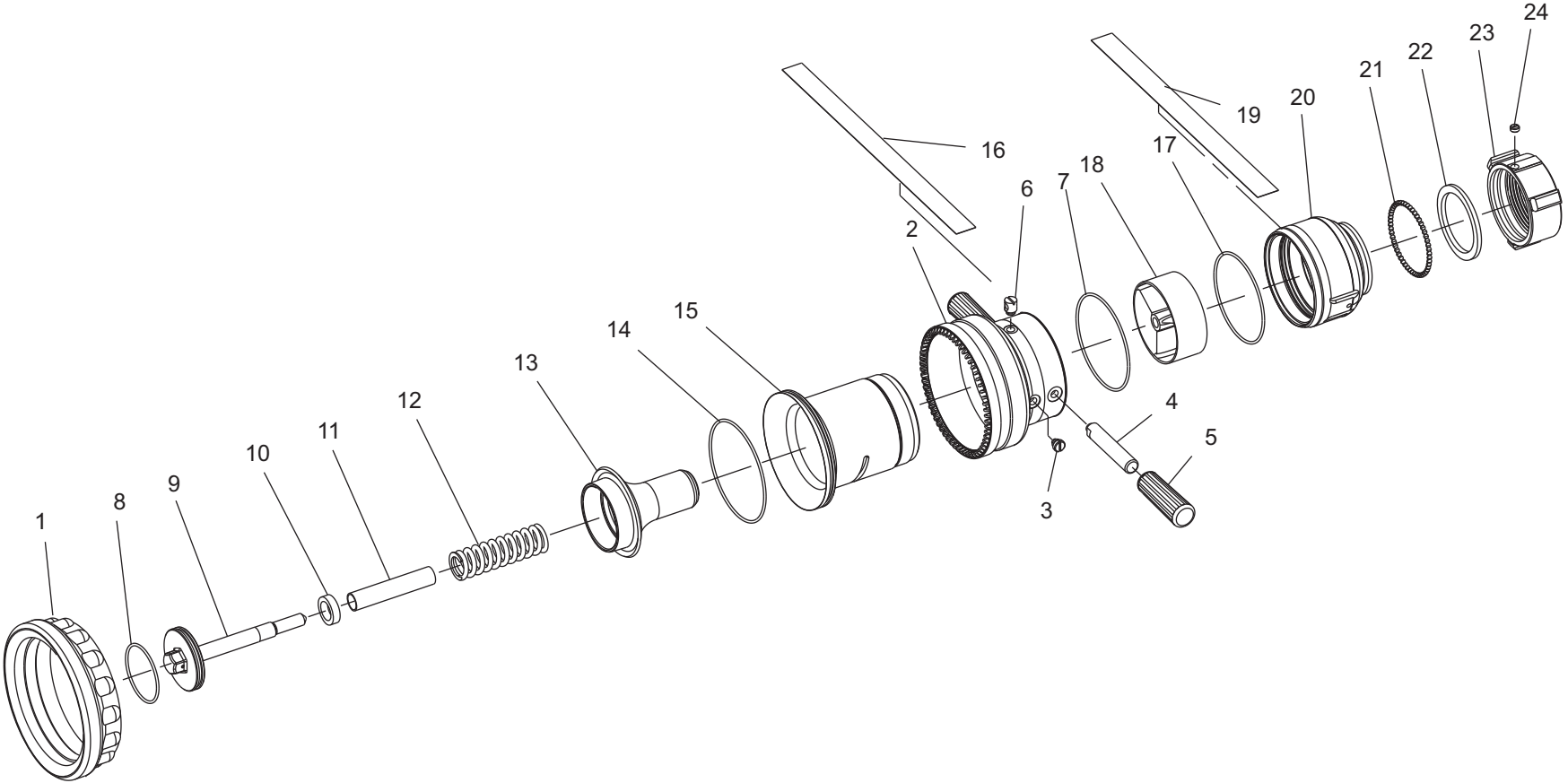



MANUAL
(SM-1000, SM-1250, SM-1250B, SM-2000, SM-2000B)




 ELKHART BRASS MFG. CO., INC. ELKHART, INDIANA	
THIS DRAWING CONTAINS INFORMATION THAT IS PROPRIETARY TO ELKHART BRASS MFG. CO., INC. AND MAY NOT BE USED TO PRODUCE ANY PARTS, ASSEMBLIES OR PRODUCTS DESCRIBED HEREIN WITHOUT EXPRESS WRITTEN PERMISSION.	
X-STREAM PAGE 1 OF 14 09/2013	PART DRAWING

MANUAL

(SM-1000, SM-1250, SM-1250B, SM-2000, SM-2000B)


INDEX #	MODEL	PART #	QTY	DESCRIPTION	INDEX #	MODEL	PART #	QTY	DESCRIPTION
1	SM-1000	33665000	1	Bumper - Yellow	13	SM-1250	69033001	1	Stem - Nozzle (3.5") Alum
1	SM-1250	33665000	1	Bumper - Yellow	13	SM-1250B	69035001	1	Stem - Nozzle (2.5") Brass
1	SM-1250B	33665000	1	Bumper - Yellow	13	SM-1250B	69036001	1	Stem - Nozzle (3.5") Brass
1	SM-2000	33661000	1	Bumper - Yellow	13	SM-2000	62185001	1	Stem - Nozzle (3.5") Alum
1	SM-2000B	33661000	1	Bumper - Yellow	13	SM-2000B	62187001	1	Stem - Nozzle (3.5") Brass
2	SM-1000	66392001	1	Nozzle Tip (Alum)	14	SM-1000	57447000	1	O-Ring
2	SM-1250	66392001	1	Nozzle Tip (Alum)	14	SM-1250	57447000	1	O-Ring
2	SM-1250B	66394001	1	Nozzle Tip (Brass)	14	SM-1250B	57447000	1	O-Ring
2	SM-2000	66388001	1	Nozzle Tip (Alum)	14	SM-2000	57512000	1	O-Ring
2	SM-2000B	66388001	1	Nozzle Tip (Brass)	14	SM-2000B	57512000	1	O-Ring
3	ALL	61087001	1	Drive Screw	15	SM-1000	17163001	1	Body - Nozzle (Alum)
4	SM-1000	36020001	2	Handle (Alum)	15	SM-1250	17163001	1	Body - Nozzle (Alum)
4	SM-1250	36020001	2	Handle (Alum)	15	SM-1250B	17165001	1	Body - Nozzle (Brass)
4	SM-1250B	36021001	2	Handle (Brass)	15	SM-2000	17144001	1	Body - Nozzle (Alum)
4	SM-2000	36020001	2	Handle (Alum)	15	SM-2000B	17160001	1	Body - Nozzle (Brass)
4	SM-2000B	36021001	2	Handle (Brass)	16	SM-1000	44364000	1	Label - Stream Pattern
5	ALL	33662000	2	Handgrip (Yellow)	16	SM-1250	44364000	1	Label - Stream Pattern
6	ALL	65051001	1	Drive Screw w/Cable	16	SM-1250B	44364000	1	Label - Stream Pattern
7	SM-1000	57503000	1	O-Ring	16	SM-2000	44330000	1	Label - Stream Pattern
7	SM-1250	57503000	1	O-Ring	16	SM-2000B	44330000	1	Label - Stream Pattern
7	SM-1250B	57503000	1	O-Ring	17	SM-1000	57436000	1	O-Ring
7	SM-2000	57524000	1	O-Ring	17	SM-1250	57436000	1	O-Ring
7	SM-2000B	57524000	1	O-Ring	17	SM-1250B	57436000	1	O-Ring
8	ALL	57318000	1	O-Ring	17	SM-2000	57503000	1	O-Ring
9	SM-1000	81163001	1	Piston Sub Ass'y	17	SM-2000B	57503000	1	O-Ring
9	SM-1250	81163001	1	Piston Sub Ass'y	18	SM-1000	63425001	1	Base Stem S/S
9	SM-1250B	81146001	1	Piston Sub Ass'y	18	SM-1250	63425001	1	Base Stem S/S
9	SM-2000	81163001	1	Piston Sub Ass'y	18	SM-1250B	63425001	1	Base Stem S/S
9	SM-2000B	81146001	1	Piston Sub Ass'y	18	SM-2000	63421001	1	Base Stem S/S
10	SM-1000	63619001	1	Spacer - Spring	18	SM-2000B	63421001	1	Base Stem S/S
10	SM-1250	63619001	1	Spacer - Spring	19	SM-1000	44368000	1	Label - Identification
10	SM-1250B	65556001	1	Spacer - Spring	19	SM-1250	44362000	1	Label - Identification
10	SM-2000	63619001	1	Spacer - Spring	19	SM-1250B	44362800	1	Label - Identification
10	SM-2000B	65556001	1	Spacer - Spring	19	SM-2000	44324000	1	Label - Identification
11	SM-1000	65550001	1	Spacer - Flow Limiter	19	SM-2000B	44338000	1	Label - Identification
12	ALL	62136000	1	Spring Compression S/S					
13	SM-1000	69037001	1	Stem - Nozzle (2.5") Alum					
13	SM-1000	69037001	1	Stem - Nozzle (3.5") Alum					
13	SM-1250	62190001	1	Stem - Nozzle (2.5") Alum					

	ELKHART BRASS MFG. CO., INC. ELKHART, INDIANA
<small>THIS DRAWING CONTAINS INFORMATION THAT IS PROPRIETARY TO ELKHART BRASS MFG. CO., INC. AND MAY NOT BE USED TO PRODUCE ANY PARTS, ASSEMBLIES OR PRODUCTS DESCRIBED HEREIN WITHOUT EXPRESS WRITTEN PERMISSION.</small>	
<small>X-STREAM PAGE 2 OF 14 09/2013</small>	<small>PART LIST</small>

MANUAL

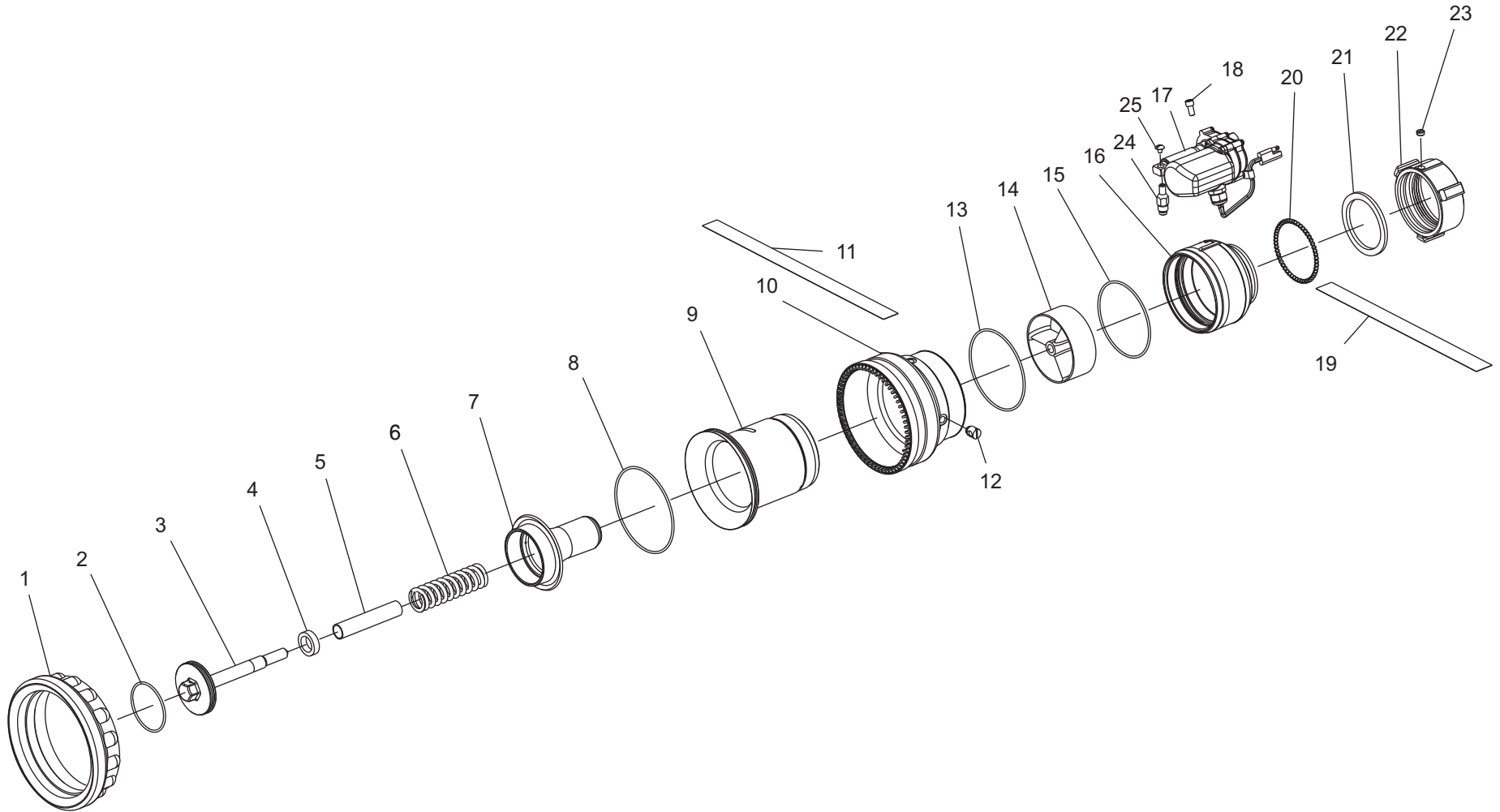
(SM-1000, SM-1250, SM-1250B, SM-2000, SM-2000B)

INDEX #	MODEL	PART #	QTY	DESCRIPTION
20	SM-1000	11766001	1	Adapter (2.5") Alum
20	SM-1000	11767001	1	Adapter (3.5") Alum
20	SM-1250	11766001	1	Adapter (2.5") Alum
20	SM-1250	11767001	1	Adapter (3.5") Alum
20	SM-1250B	11774001	1	Adapter (2.5") Brass
20	SM-1250B	11775001	1	Adapter (3.5") Brass
20	SM-2000	11761001	1	Adapter (3.5") Alum
20	SM-2000B	10343001	1	Adapter (3.5") Brass
21	SM-1000	15018000	52	.187 Ball (2.5") S/S
21	SM-1000	15018000	71	.187 Ball (3.5") S/S
21	SM-1250	15018000	52	.187 Ball (2.5") S/S
21	SM-1250	15018000	71	.187 Ball (3.5") S/S
21	SM-1250B	15016000	52	.187 Ball (2.5") Brass
21	SM-1250B	15016000	71	.187 Ball (3.5") Brass
21	SM-2000	15018000	71	.187 Ball (3.5") S/S
21	SM-2000B	15016000	71	.187 Ball (3.5") Brass
22	SM-1000	33083000	1	Gasket - Rubber (2.5")
22	SM-1000	33186000	1	Gasket - Rubber (3.5")
22	SM-1250	33083000	1	Gasket - Rubber (2.5")
22	SM-1250	33186000	1	Gasket - Rubber (3.5")
22	SM-1250B	33083000	1	Gasket - Rubber (2.5")
22	SM-1250B	33186000	1	Gasket - Rubber (3.5")
22	SM-2000	33186000	1	Gasket - Rubber (3.5")
22	SM-2000B	33186000	1	Gasket - Rubber (3.5")
23	SM-1000	63069001	1	Swivel (2.5") Alum
23	SM-1000	63018001	1	Swivel (3.5") Alum
23	SM-1250	63069001	1	Swivel (2.5") Alum
23	SM-1250	63018001	1	Swivel (3.5") Alum
23	SM-2000	63018001	1	Swivel (3.5") Alum
23	SM-1250B	62919002	1	Swivel (2.5") Brass
23	SM-1250B	63311002	1	Swivel (3.5") Brass
23	SM-2000B	63311002	1	Swivel (3.5") Brass
24	SM-1000	63674000	1	Slotted Set Screw (Nylon)
24	SM-1250	63674000	1	Slotted Set Screw (Nylon)
24	SM-2000	63674000	1	Slotted Set Screw (Nylon)
24	SM-1250B	61222000	1	Slotted Set Screw (Brass)
24	SM-2000B	61221000	1	Slotted Set Screw (Brass)

	ELKHART BRASS MFG. CO., INC. ELKHART, INDIANA
<small>THIS DRAWING CONTAINS INFORMATION THAT IS PROPRIETARY TO ELKHART BRASS MFG. CO., INC. AND MAY NOT BE USED TO PRODUCE ANY PARTS, ASSEMBLIES OR PRODUCTS DESCRIBED HEREIN WITHOUT EXPRESS WRITTEN PERMISSION.</small>	
<small>X-STREAM PAGE 3 OF 14 09/2013</small>	<small>PART LIST</small>

ELECTRIC

(SM-500E, SM-1000E, SM-1250E, SM-1250BE, SM-1500E, SM-2000E, SM-2000BE)



ELKHART BRASS MFG. CO., INC.
ELKHART, INDIANA

THIS DRAWING CONTAINS INFORMATION THAT IS
PROPRIETARY TO ELKHART BRASS MFG. CO., INC.
AND MAY NOT BE USED TO PRODUCE ANY PARTS,
ASSEMBLIES OR PRODUCTS DESCRIBED HEREIN
WITHOUT EXPRESS WRITTEN PERMISSION.

X-STREAM
PAGE 4 OF 14
06/2013

PART
DRAWING

ELECTRIC

(SM-500E HP, SM-500E LP, SM-1000E, SM-1250E, SM-1250BE, SM-1500E, SM-2000E, SM-2000BE)

INDEX #	MODEL	PART #	QTY	DESCRIPTION	INDEX #	MODEL	PART #	QTY	DESCRIPTION
1	SM-500E	33665000	1	Bumper - Yellow	8	SM-1250BE	57447000	1	O-Ring
1	SM-1000E	33665000	1	Bumper - Yellow	8	SM-1250E	57447000	1	O-Ring
1	SM-1250BE	33665000	1	Bumper - Yellow	8	SM-1500E	57512000	1	O-Ring
1	SM-1250E	33665000	1	Bumper - Yellow	8	SM-2000BE	57512000	1	O-Ring
1	SM-1500E	33661000	1	Bumper - Yellow	8	SM-2000E	57512000	1	O-Ring
1	SM-2000BE	33661000	1	Bumper - Yellow	9	SM-500E	17205007	1	Body - Nozzle (Alum)
1	SM-2000E	33661000	1	Bumper - Yellow	9	SM-1000E	17163001	1	Body - Nozzle (Alum)
2	ALL	57318000	1	O-Ring	9	SM-1250BE	17165001	1	Body - Nozzle (Brass)
3	SM-500E	81163007	1	Piston Sub Ass'y	9	SM-1250E	17163001	1	Body - Nozzle (Alum)
3	SM-1000E	81163001	1	Piston Sub Ass'y	9	SM-1500E	17144001	1	Body - Nozzle (Alum)
3	SM-1250BE	81146001	1	Piston Sub Ass'y	9	SM-2000BE	17160001	1	Body - Nozzle (Brass)
3	SM-1250E	81163001	1	Piston Sub Ass'y	9	SM-2000E	17144001	1	Body - Nozzle (Alum)
3	SM-1500E	81163001	1	Piston Sub Ass'y	10	SM-500E	66446007	1	Tip - Nozzle (Alum)
3	SM-2000BE	81146001	1	Piston Sub Ass'y	10	SM-1000E	66446001	1	Tip - Nozzle (Alum)
3	SM-2000E	81163001	1	Piston Sub Ass'y	10	SM-1250BE	66443001	1	Tip - Nozzle (Brass)
4	SM-500E HP	65595001	1	Spacer - Spring	10	SM-1250E	66446001	1	Tip - Nozzle (Alum)
4	SM-1000E	63619001	1	Spacer - Spring	10	SM-1500E	66444001	1	Tip - Nozzle (Alum)
4	SM-1250BE	65556001	1	Spacer - Spring	10	SM-2000BE	66445001	1	Tip - Nozzle (Brass)
4	SM-1250E	63619001	1	Spacer - Spring	10	SM-2000E	66444001	1	Tip - Nozzle (Alum)
4	SM-1500E	63619001	1	Spacer - Spring	11	SM-500E	44365000	1	Label - Tip
4	SM-2000BE	65556001	1	Spacer - Spring	11	SM-1000E	44365000	1	Label - Tip
4	SM-2000E	63619001	1	Spacer - Spring	11	SM-1250BE	44365000	1	Label - Tip
5	SM-1000E	65550001	1	Spacer - Flow Limiter	11	SM-1250E	44365000	1	Label - Tip
6	ALL	62136000	1	Spring Compression S/S	11	SM-1500E	44331000	1	Label - Tip
7	SM-500E	69083007	1	Stem - Nozzle (2.5") Alum	11	SM-2000BE	44331000	1	Label - Tip
7	SM-1000E	69037001	1	Stem - Nozzle (2.5") Alum	11	SM-2000E	44331000	1	Label - Tip
7	SM-1000E	69037001	1	Stem - Nozzle (3.5") Alum	12	ALL	65051001	1	Drive Screw W/Cable
7	SM-1250BE	69035001	1	Stem - Nozzle (2.5") Brass	13	SM-500E	57503000	1	O-Ring
7	SM-1250BE	69036001	1	Stem - Nozzle (3.5") Brass	13	SM-1000E	57503000	1	O-Ring
7	SM-1250E	62190001	1	Stem - Nozzle (2.5") Alum	13	SM-1250BE	57503000	1	O-Ring
7	SM-1250E	69033001	1	Stem - Nozzle (3.5") Alum	13	SM-1250E	57503000	1	O-Ring
7	SM-1500E	62185001	1	Stem - Nozzle (3.5") Alum	13	SM-1500E	57524000	1	O-Ring
7	SM-2000BE	62187001	1	Stem - Nozzle (3.5") Brass	13	SM-2000BE	57524000	1	O-Ring
7	SM-2000E	62185001	1	Stem - Nozzle (3.5") Alum	13	SM-2000E	57524000	1	O-Ring
8	SM-500E	57447000	1	O-Ring					
8	SM-1000E	57447000	1	O-Ring					

 ELKHART BRASS MFG. CO., INC.
ELKHART, INDIANA

THIS DRAWING CONTAINS INFORMATION THAT IS PROPRIETARY TO ELKHART BRASS MFG. CO., INC. AND MAY NOT BE USED TO PRODUCE ANY PARTS, ASSEMBLIES OR PRODUCTS DESCRIBED HEREIN WITHOUT EXPRESS WRITTEN PERMISSION.


X-STREAM
PAGE 5 OF 14
09/2013

PART
LIST

ELECTRIC

(SM-500E HP, SM-500E LP, SM-1000E, SM-1250E, SM-1250BE, SM-1500E, SM-2000E, SM-2000BE)

INDEX #	MODEL	PART #	QTY	DESCRIPTION	INDEX #	MODEL	PART #	QTY	DESCRIPTION
14	SM-500E	63425001	1	Base - Stem S/S	19	SM-500E HP	44663000	1	Label - Identification
14	SM-1000E	63425001	1	Base - Stem S/S	19	SM-500E LP	44684000	1	Label - Identification
14	SM-1250BE	63425001	1	Base - Stem S/S	19	SM-1000E	44369000	1	Label - Identification
14	SM-1250E	63425001	1	Base - Stem S/S	19	SM-1250BE	44488000	1	Label - Identification
14	SM-1500E	63421001	1	Base - Stem S/S	19	SM-1250E	44363000	1	Label - Identification
14	SM-2000BE	63421001	1	Base - Stem S/S	19	SM-1500E	44502000	1	Label - Identification
14	SM-2000E	63421001	1	Base - Stem S/S	19	SM-2000BE	44487000	1	Label - Identification
15	SM-500E	57436000	1	O-Ring	19	SM-2000E	44325000	1	Label - Identification
15	SM-1000E	57436000	1	O-Ring	20	SM-500E	15018000	52	.187 Ball (2.5") S/S
15	SM-1250BE	57436000	1	O-Ring	20	SM-1000E	15018000	52	.187 Ball (2.5") S/S
15	SM-1250E	57436000	1	O-Ring	20	SM-1000E	15018000	71	.187 Ball (3.5") S/S
15	SM-1500E	57503000	1	O-Ring	20	SM-1250BE	15016000	52	.187 Ball (2.5") Brass
15	SM-2000BE	57503000	1	O-Ring	20	SM-1250BE	15016000	71	.187 Ball (3.5") Brass
15	SM-2000E	57503000	1	O-Ring	20	SM-1250E	15018000	52	.187 Ball (2.5") S/S
16	SM-500E	11766007	1	Adapter (2.5") Alum	20	SM-1250E	15018000	71	.187 Ball (3.5") S/S
16	SM-1000E	11766001	1	Adapter (2.5") Alum	20	SM-1500E	15018000	71	.187 Ball (3.5") S/S
16	SM-1000E	11767001	1	Adapter (3.5") Alum	20	SM-2000BE	15016000	71	.187 Ball (3.5") Brass
16	SM-1250BE	11774001	1	Adapter (2.5") Brass	20	SM-2000E	15018000	71	.187 Ball (3.5") S/S
16	SM-1250BE	11775001	1	Adapter (3.5") Brass	21	SM-500E	33083000	1	Gasket - Rubber (2.5")
16	SM-1250E	11766001	1	Adapter (2.5") Alum	21	SM-1000E	33083000	1	Gasket - Rubber (2.5")
16	SM-1250E	11767001	1	Adapter (3.5") Alum	21	SM-1000E	33186000	1	Gasket - Rubber (3.5")
16	SM-1500E	11761001	1	Adapter (3.5") Alum	21	SM-1250BE	33083000	1	Gasket - Rubber (2.5")
16	SM-2000BE	10343001	1	Adapter (3.5") Brass	21	SM-1250BE	33186000	1	Gasket - Rubber (3.5")
16	SM-2000E	11761001	1	Adapter (3.5") Alum	21	SM-1250E	33083000	1	Gasket - Rubber (2.5")
17	SM-500E	81185001	1	Electric 12V DC Actuator Ass'y	21	SM-1250E	33186000	1	Gasket - Rubber (3.5")
17	SM-1000E	81185001	1	Electric 12V DC Actuator Ass'y	21	SM-1500E	33186000	1	Gasket - Rubber (3.5")
17	SM-1250BE	81414001	1	Electric 12V DC Actuator Ass'y	21	SM-2000BE	33186000	1	Gasket - Rubber (3.5")
17	SM-1250E	81185001	1	Electric 12V DC Actuator Ass'y	21	SM-2000E	33186000	1	Gasket - Rubber (3.5")
17	SM-1500E	81185001	1	Electric 12V DC Actuator Ass'y	22	SM-500E	63069007	1	Swivel (2.5") Alum
17	SM-2000BE	81414001	1	Electric 12V DC Actuator Ass'y	22	SM-1000E	63069001	1	Swivel (2.5") Alum
17	SM-2000E	81185001	1	Electric 12V DC Actuator Ass'y	22	SM-1000E	63018001	1	Swivel (3.5") Alum
18	ALL	61040000	1	Socket Screw S/S	22	SM-1250BE	62919002	1	Swivel (2.5") Brass
					22	SM-1250BE	63311002	1	Swivel (3.5") Brass

	ELKHART BRASS MFG. CO., INC. ELKHART, INDIANA
THIS DRAWING CONTAINS INFORMATION THAT IS PROPRIETARY TO ELKHART BRASS MFG. CO., INC. AND MAY NOT BE USED TO PRODUCE ANY PARTS, ASSEMBLIES OR PRODUCTS DESCRIBED HEREIN WITHOUT EXPRESS WRITTEN PERMISSION.	
X-STREAM PAGE 6 OF 14 10/2018	PART LIST

ELECTRIC

(SM-500E HP, SM-500E LP, SM-1000E, SM-1250E, SM-1250BE, SM-1500E, SM-2000E, SM-2000BE)

INDEX #	MODEL	PART #	QTY	DESCRIPTION
22	SM-1250E	63069001	1	Swivel (2.5") Alum
22	SM-1250E	63018001	1	Swivel (3.5") Alum
22	SM-1500E	63018001	1	Swivel (3.5") Alum
22	SM-2000BE	63311002	1	Swivel (3.5") Brass
22	SM-2000E	63018001	1	Swivel (3.5") Alum
23	SM-500E	63674000	1	Set Screw (Nylon)
23	SM-1000E	63674000	1	Set Screw (Nylon)
23	SM-1250BE	61222000	1	Set Screw (Brass)
23	SM-1250E	63674000	1	Set Screw (Nylon)
23	SM-1500E	63674000	1	Set Screw (Nylon)
23	SM-2000BE	61221000	1	Set Screw (Brass)
23	SM-2000E	63674000	1	Set Screw (Nylon)
24	ALL	18409001	1	Bracket Push Rod S/S
25	ALL	61078000	1	Cap Screw



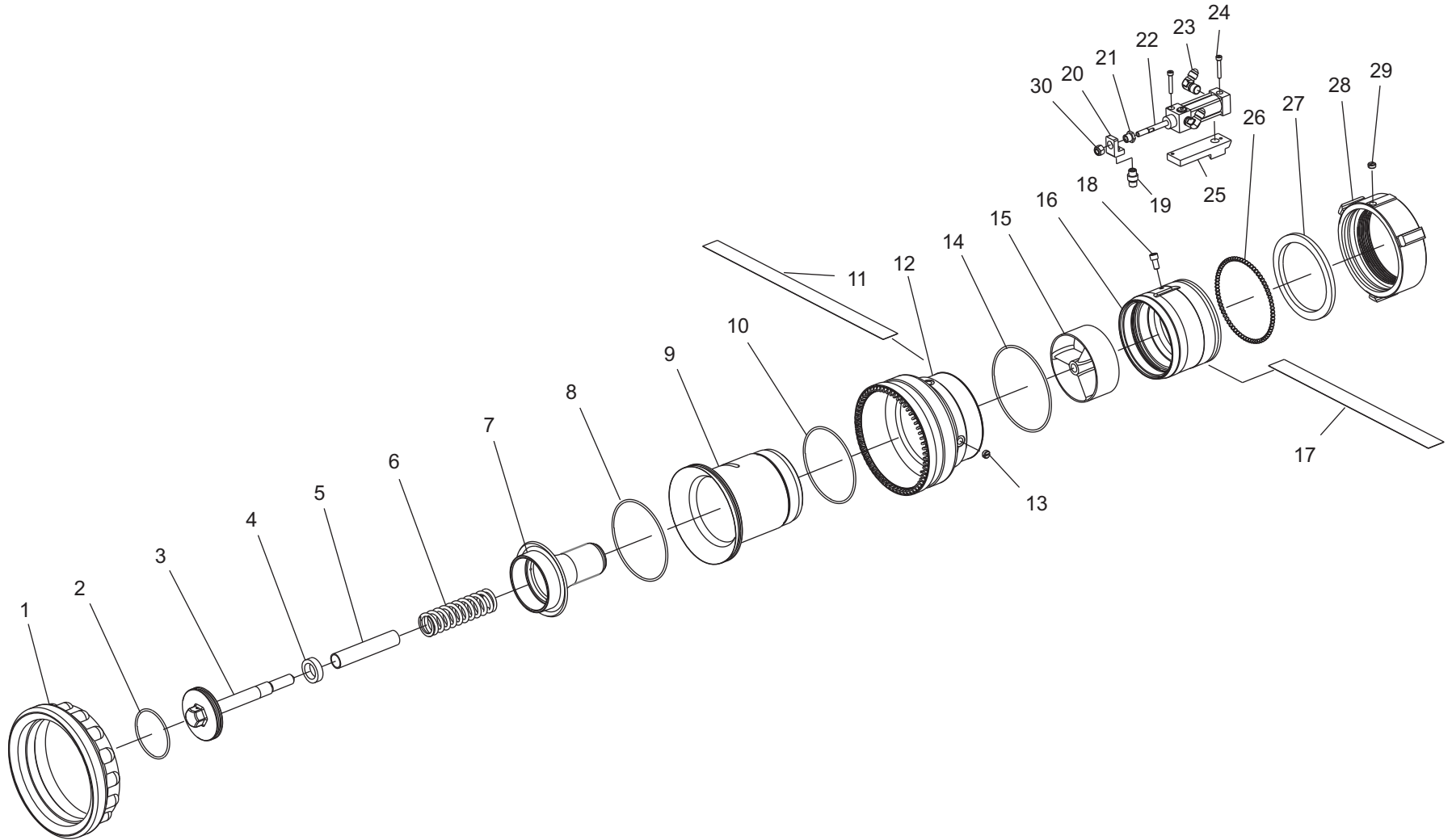
ELKHART BRASS MFG. CO., INC.
ELKHART, INDIANA

THIS DRAWING CONTAINS INFORMATION THAT IS
PROPRIETARY TO ELKHART BRASS MFG. CO., INC.
AND MAY NOT BE USED TO PRODUCE ANY PARTS,
ASSEMBLIES OR PRODUCTS DESCRIBED HEREIN
WITHOUT EXPRESS WRITTEN PERMISSION.

X-STREAM
PAGE 7 OF 14
09/2013

PART
LIST

HYDRAULIC
(SM-1000H, SM-1250H, SM-1250HB, SM-2000H, SM-2000HB)



 ELKHART BRASS MFG. CO., INC.
 ELKHART, INDIANA

THIS DRAWING CONTAINS INFORMATION THAT IS PROPRIETARY TO ELKHART BRASS MFG. CO., INC. AND MAY NOT BE USED TO PRODUCE ANY PARTS, ASSEMBLIES OR PRODUCTS DESCRIBED HEREIN WITHOUT EXPRESS WRITTEN PERMISSION.


X-STREAM
 PAGE 8 OF 14
 04/2014

PART
 DRAWING

HYDRAULIC

(SM-1000H, SM-1250H, SM-1250HB, SM-2000H, SM-2000HB)


INDEX #	MODEL	PART #	QTY	DESCRIPTION	INDEX #	MODEL	PART #	QTY	DESCRIPTION
1	SM-1000H	33665000	1	Bumper - Yellow	11	SM-1250H	44365000	1	Label - Stream Pattern
1	SM-1250H	33665000	1	Bumper - Yellow	11	SM-1250HB	44365000	1	Label - Stream Pattern
1	SM-1250HB	33665000	1	Bumper - Yellow	11	SM-2000H	44331000	1	Label - Stream Pattern
1	SM-2000H	33661000	1	Bumper - Yellow	11	SM-2000HB	44331000	1	Label - Stream Pattern
1	SM-2000HB	33661000	1	Bumper - Yellow	12	SM-1000H	66446001	1	Tip - Nozzle (Alum)
2	ALL	57318000	1	O-Ring	12	SM-1250H	66446001	1	Tip - Nozzle (Alum)
3	SM-1000H	81163001	1	Piston Sub Ass'y	12	SM-1250HB	66443001	1	Tip - Nozzle (Brass)
3	SM-1250H	81163001	1	Piston Sub Ass'y	12	SM-2000H	66444001	1	Tip - Nozzle (Alum)
3	SM-1250HB	81146001	1	Piston Sub Ass'y	12	SM-2000HB	66388001	1	Tip - Nozzle (Brass)
3	SM-2000H	81163001	1	Piston Sub Ass'y	13	SM-1000H	63674000	1	Slotted Set Screw (Nylon)
3	SM-2000HB	81146001	1	Piston Sub Ass'y	13	SM-1250H	63674000	1	Slotted Set Screw (Nylon)
4	SM-1000H	63619001	1	Spacer - Spring	13	SM-1250HB	61222000	2	Slotted Set Screw (Brass)
4	SM-1250H	63619001	1	Spacer - Spring	13	SM-2000H	63688000	1	Slotted Set Screw (Nylon)
4	SM-1250HB	65556001	1	Spacer - Spring	13	SM-2000HB	61222000	1	Slotted Set Screw (Brass)
4	SM-2000H	63619001	1	Spacer - Spring	14	SM-1000H	57436000	1	O-Ring
4	SM-2000HB	65556001	1	Spacer - Spring	14	SM-1250H	57436000	1	O-Ring
5	SM-1000H	65550001	1	Spacer - Flow Limiter	14	SM-1250HB	57436000	1	O-Ring
6	ALL	62136000	1	Spring Compression S/S	14	SM-2000H	57503000	1	O-Ring
7	SM-1000H	69037001	1	Stem - Nozzle (2.5") Alum	14	SM-2000HB	57503000	1	O-Ring
7	SM-1000H	69037001	1	Stem - Nozzle (3.5") Alum	15	SM-1000H	63425001	1	Base Stem S/S
7	SM-1250H	62190001	1	Stem - Nozzle (2.5") Alum	15	SM-1250H	63425001	1	Base Stem S/S
7	SM-1250H	69033001	1	Stem - Nozzle (3.5") Alum	15	SM-1250HB	63425001	1	Base Stem S/S
7	SM-1250HB	69035001	1	Stem - Nozzle (2.5") Brass	15	SM-2000H	63421001	1	Base Stem S/S
7	SM-1250HB	69036001	1	Stem - Nozzle (3.5") Brass	15	SM-2000HB	63421001	1	Base Stem S/S
7	SM-2000H	62185001	1	Stem - Nozzle (3.5") Alum	16	SM-1000H	11766001	1	Adapter (2.5") Alum
7	SM-2000HB	62187001	1	Stem - Nozzle (3.5") Brass	16	SM-1000H	11767001	1	Adapter (3.5") Alum
8	SM-1000H	57447000	1	O-Ring	16	SM-1250H	11766001	1	Adapter (2.5") Alum
8	SM-1250H	57447000	1	O-Ring	16	SM-1250H	11767001	1	Adapter (3.5") Alum
8	SM-1250HB	57447000	1	O-Ring	16	SM-1250HB	11774001	1	Adapter (2.5") Brass
8	SM-2000H	57512000	1	O-Ring	16	SM-1250HB	11775001	1	Adapter (3.5") Brass
8	SM-2000HB	57512000	1	O-Ring	16	SM-2000H	11761001	1	Adapter (3.5") Alum
9	SM-1000H	17163001	1	Body - Nozzle (Alum)	16	SM-2000HB	10343001	1	Adapter (3.5") Brass
9	SM-1250H	17163001	1	Body - Nozzle (Alum)	17	SM-1000H	44370000	1	Label - Identification
9	SM-1250HB	17165001	1	Body - Nozzle (Brass)	17	SM-1250H	44367000	1	Label - Identification
9	SM-2000H	17144001	1	Body - Nozzle (Alum)	17	SM-1250HB	44367000	1	Label - Identification
9	SM-2000HB	17160001	1	Body - Nozzle (Brass)	17	SM-2000H	44373000	1	Label - Identification
10	SM-1000H	57503000	1	O-Ring	17	SM-2000HB	44373000	1	Label - Identification
10	SM-1250H	57503000	1	O-Ring					
10	SM-1250HB	57503000	1	O-Ring					
10	SM-2000H	57524000	1	O-Ring					
10	SM-2000HB	57524000	1	O-Ring					
11	SM-1000H	44365000	1	Label - Stream Pattern					

	ELKHART BRASS MFG. CO., INC. ELKHART, INDIANA
THIS DRAWING CONTAINS INFORMATION THAT IS PROPRIETARY TO ELKHART BRASS MFG. CO., INC. AND MAY NOT BE USED TO PRODUCE ANY PARTS, ASSEMBLIES OR PRODUCTS DESCRIBED HEREIN WITHOUT EXPRESS WRITTEN PERMISSION.	
X-STREAM PAGE 9 OF 14 09/2013	PART LIST

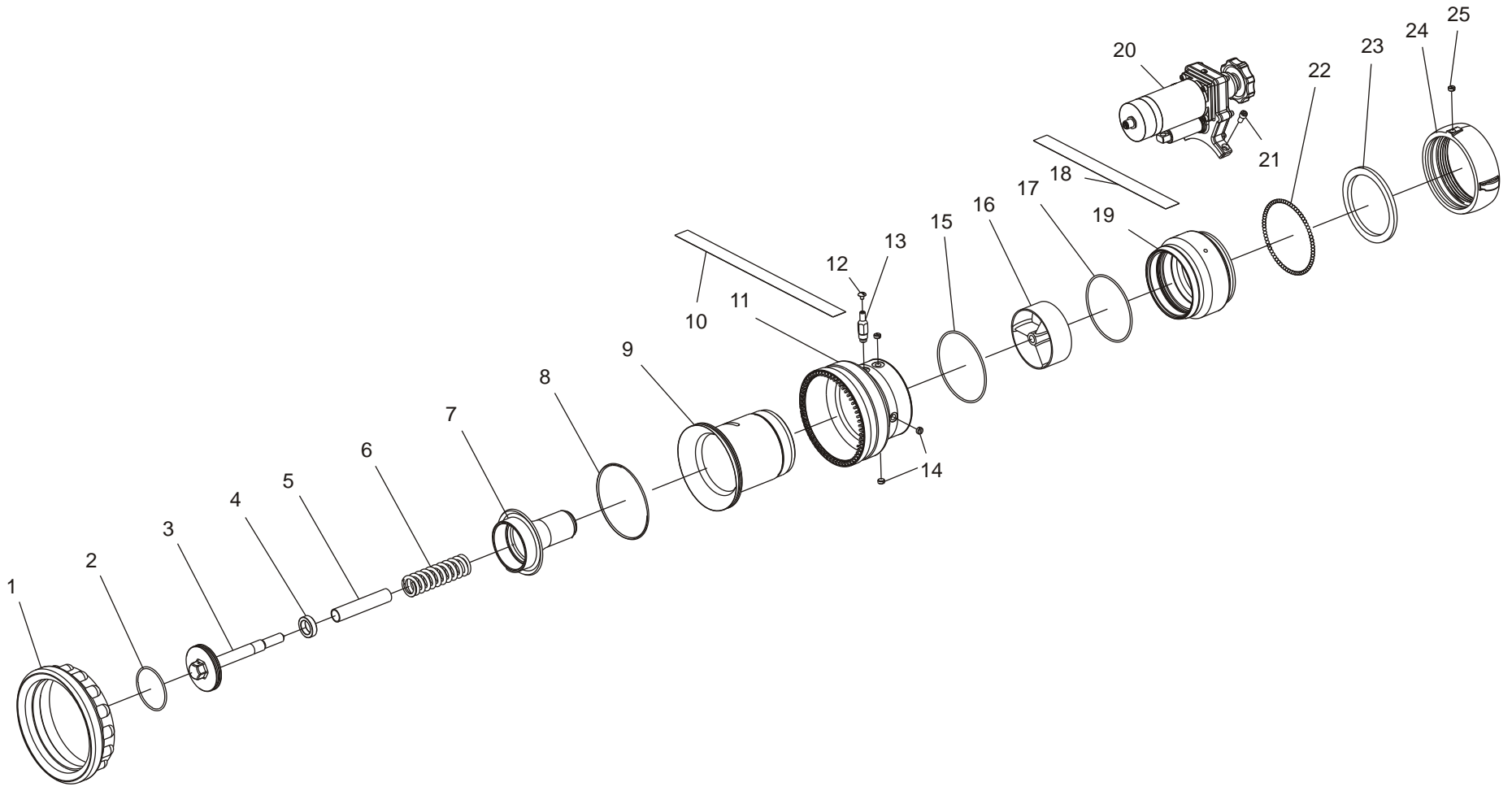
HYDRAULIC

(SM-1000H, SM-1250H, SM-1250HB, SM-2000H, SM-2000HB)

INDEX #	MODEL	PART #	QTY	DESCRIPTION
18	ALL	61040000	1	Socket Cap Screw
19	ALL	18411001	1	Bracket - Post S/S
20	ALL	17829001	1	Bracket - Shaft
21	ALL	63603001	1	Nut Spacer
22	ALL	24152000	1	Hydraulic Cylinder
23	SM-1250HB	32125000	2	Fitting - Hydraulic 90 Deg
23	SM-1250HB	32125000	2	Fitting - Hydraulic 90 Deg
23	SM-2000H	32125000	2	Fitting - Hydraulic 90 Deg
23	SM-2000HB	32125000	2	Fitting - Hydraulic 90 Deg
24	ALL	61074000	2	Socket Cap Screw
25	ALL	17830000	1	Bracket - Piston
26	SM-1000H	15018000	52	.187 Ball (2.5") S/S
26	SM-1000H	15018000	71	.187 Ball (3.5") S/S
26	SM-1250H	15018000	52	.187 Ball (2.5") S/S
26	SM-1250H	15018000	71	.187 Ball (3.5") S/S
26	SM-1250HB	15016000	52	.187 Ball (2.5") Brass
26	SM-1250HB	15016000	71	.187 Ball (3.5") Brass
26	SM-2000H	15018000	71	.187 Ball (3.5") S/S
26	SM-2000HB	15016000	71	.187 Ball (3.5") Brass
27	SM-1000H	33083000	1	Gasket - Rubber (2.5")
27	SM-1000H	33186000	1	Gasket - Rubber (3.5")
27	SM-1250H	33083000	1	Gasket - Rubber (2.5")
27	SM-1250H	33186000	1	Gasket - Rubber (3.5")
27	SM-1250HB	33083000	1	Gasket - Rubber (2.5")
27	SM-1250HB	33186000	1	Gasket - Rubber (3.5")
27	SM-2000H	33186000	1	Gasket - Rubber (3.5")
27	SM-2000HB	33186000	1	Gasket - Rubber (3.5")
28	SM-1000H	63069001	1	Swivel (2.5") Alum
28	SM-1000H	63018001	1	Swivel (3.5") Alum
28	SM-1250H	63069001	1	Swivel (2.5") Alum
28	SM-1250H	63018001	1	Swivel (3.5") Alum
28	SM-1250HB	62919002	1	Swivel (2.5") Brass
28	SM-1250HB	63311002	1	Swivel (3.5") Brass
28	SM-2000H	63018001	1	Swivel (3.5") Alum
28	SM-2000HB	63311002	1	Swivel (3.5") Brass
29	SM-1000H	63674000	1	Slotted Set Screw (Nylon)
29	SM-1250H	63674000	1	Slotted Set Screw (Nylon)
29	SM-1250HB	61222000	1	Slotted Set Screw (Brass)
29	SM-2000H	63674000	1	Slotted Set Screw (Nylon)
29	SM-2000HB	61222000	1	Slotted Set Screw (Brass)
30	ALL	47544000	1	Hex Nut S/S

	ELKHART BRASS MFG. CO., INC. ELKHART, INDIANA
THIS DRAWING CONTAINS INFORMATION THAT IS PROPRIETARY TO ELKHART BRASS MFG. CO., INC. AND MAY NOT BE USED TO PRODUCE ANY PARTS, ASSEMBLIES OR PRODUCTS DESCRIBED HEREIN WITHOUT EXPRESS WRITTEN PERMISSION.	
X-STREAM PAGE 10 OF 14 04/2014	PART LIST


HAZARDOUS LOCATION
(SM-1000BE-HL, SM-1250BE-HL, SM-2000BE-HL)



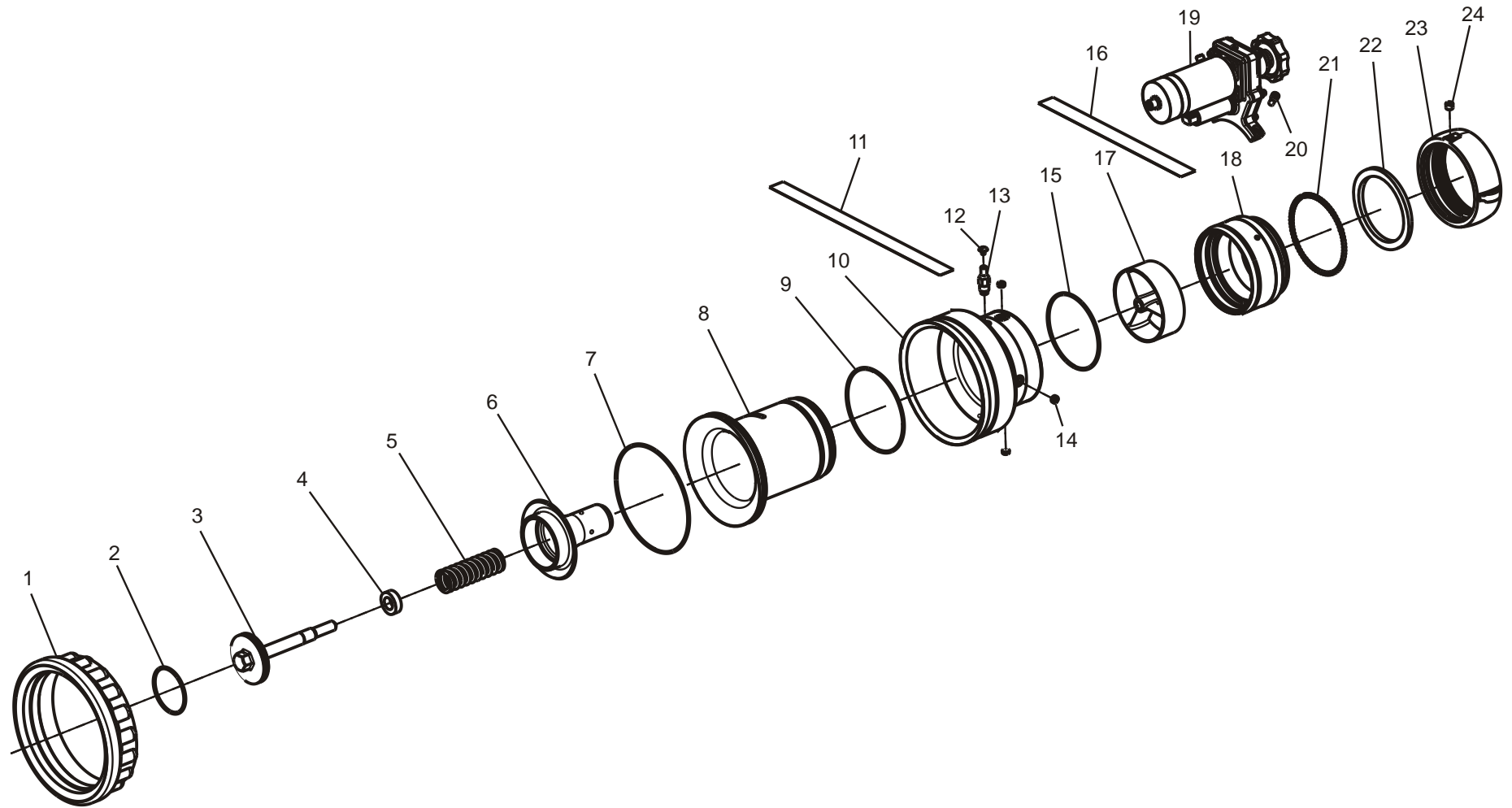
HAZARDOUS LOCATION

(SM-1000BE-HL, SM-1250BE-HL, SM-2000BE-HL)

INDEX #	MODEL	PART #	QTY	DESCRIPTION	INDEX #	MODEL	PART #	QTY	
1	SM-1000BE-HL	33665000	1	Bumper - Yellow	14	ALL	61222000	2	Slotted Set Screw (Brass)
1	SM-1250BE-HL	33665000	1	Bumper - Yellow	15	SM-1000BE-HL	57503000	1	O-Ring
1	SM-2000BE-HL	33661000	1	Bumper - Yellow	15	SM-1250BE-HL	57503000	1	O-Ring
2	ALL	57318000	1	O-Ring	15	SM-2000BE-HL	57524000	1	O-Ring
3	ALL	81146001	1	Piston Sub Ass'y	16	SM-1000BE-HL	63425001	1	Base Stem S/S
4	ALL	65556001	1	Spacer - Spring	16	SM-1250BE-HL	63425001	1	Base Stem S/S
5	SM-1000BE-HL	65557001	1	Spacer - Flow Limiter	16	SM-2000BE-HL	63421001	1	Base Stem S/S
6	ALL	62136000	1	Spring Compression S/S	17	SM-1000BE-HL	57436000	1	O-Ring
7	SM-1000BE-HL	69047001	1	Stem - Nozzle (3.5") Brass	17	SM-1250BE-HL	57436000	1	O-Ring
7	SM-1250BE-HL	69036001	1	Stem - Nozzle (3.5") Brass	17	SM-2000BE-HL	57503000	1	O-Ring
7	SM-2000BE-HL	62187001	1	Stem - Nozzle (3.5") Brass	18	SM-1000BE-HL	44533000	1	Label - Identification
8	SM-1000BE-HL	57447000	1	O-Ring	18	SM-1250BE-HL	44534000	1	Label - Identification
8	SM-1250BE-HL	57447000	1	O-Ring	18	SM-2000BE-HL	44535000	1	Label - Identification
8	SM-2000BE-HL	57512000	1	O-Ring	19	SM-1000BE-HL	11778001	1	Adapter (Brass)
9	SM-1000BE-HL	17165001	1	Body - Nozzle (Brass)	19	SM-1250BE-HL	11778001	1	Adapter (Brass)
9	SM-1250BE-HL	17165001	1	Body - Nozzle (Brass)	19	SM-2000BE-HL	11777001	1	Adapter (Brass)
9	SM-2000BE-HL	17160001	1	Body - Nozzle (Brass)	20	ALL	81407101	1	Electric 120V AC Actuator Ass'y
10	SM-1000BE-HL	44365000	1	Label - Tip	21	ALL	61040000	2	Socket Screw S/S
10	SM-1250BE-HL	44365000	1	Label - Tip	22	ALL	15016000	71	.187 Ball (Brass)
10	SM-2000BE-HL	44331000	1	Label - Tip	23	ALL	33186000	1	Gasket - Rubber
11	SM-1000BE-HL	66443001	1	Tip - Nozzle (Brass)	24	ALL	63311002	1	Swivel (Brass)
11	SM-1250BE-HL	66443001	1	Tip - Nozzle (Brass)	25	SM-1250BE-HL	61222000	1	Slotted Set Screw (Brass)
11	SM-2000BE-HL	66445001	1	Tip - Nozzle (Brass)	25	SM-2000BE-HL	61221000	1	Slotted Set Screw (Brass)
12	ALL	61078000	1	Socket Screw S/S					
13	SM-1000BE-HL	18380001	1	Bracket - Push Rod S/S					
13	SM-1250BE-HL	18380001	1	Bracket - Push Rod S/S					
13	SM-2000BE-HL	18409001	1	Bracket - Push Rod S/S					

 ELKHART BRASS MFG. CO., INC. ELKHART, INDIANA	
<small>THIS DRAWING CONTAINS INFORMATION THAT IS PROPRIETARY TO ELKHART BRASS MFG. CO., INC. AND MAY NOT BE USED TO PRODUCE ANY PARTS, ASSEMBLIES OR PRODUCTS DESCRIBED HEREIN WITHOUT EXPRESS WRITTEN PERMISSION.</small>	
<small>X-STREAM PAGE 12 OF 14 04/2012</small>	<small>PART LIST</small>

GAS MITIGATION
(SM-1250BE-HLGM, SM-2000BE-HLGM)



 ELKHART BRASS MFG. CO., INC.
ELKHART, INDIANA

THIS DRAWING CONTAINS INFORMATION THAT IS
PROPRIETARY TO ELKHART BRASS MFG. CO., INC.
AND MAY NOT BE USED TO PRODUCE ANY PARTS,
ASSEMBLIES OR PRODUCTS DESCRIBED HEREIN
WITHOUT EXPRESS WRITTEN PERMISSION.


X-STREAM
PAGE 13 OF 14
03/2011

PART
DRAWING

GAS MITIGATION

(SM-1250BE-HLGM, SM-2000BE-HLGM)

INDEX #	MODEL	PART #	QTY	DESCRIPTION
1	SM-1250BE-HLGM	33665000	1	Bumper - Yellow
1	SM-2000BE-HLGM	33661000	1	Bumper - Yellow
2	ALL	57318000	1	O-Ring
3	ALL	81146001	1	Piston Sub Ass'y
4	ALL	65556001	1	Spacer - Spring
5	ALL	62136000	1	Spring Compression S/S
6	SM-1250BE-HLGM	69036001	1	Stem - Nozzle (Brass)
6	SM-2000BE-HLGM	62187001	1	Stem - Nozzle (Brass)
7	SM-1250BE-HLGM	57524000	1	O-Ring
7	SM-2000BE-HLGM	57512000	1	O-Ring
8	SM-1250BE-HLGM	17181001	1	Body - Nozzle (Brass)
8	SM-2000BE-HLGM	17180001	1	Body - Nozzle (Brass)
9	SM-2000BE-HLGM	57524000	1	O-Ring
9	SM-1250BE-HLGM	57503000	1	O-Ring
10	SM-1250BE-HLGM	66447001	1	Tip - Nozzle (Brass)
10	SM-2000BE-HLGM	66448001	1	Tip - Nozzle (Brass)
11	SM-1250BE-HLGM	44365000	1	Label - Tip
11	SM-2000BE-HLGM	44331000	1	Label - Tip
12	ALL	61078000	1	Socket Screw S/S
13	SM-1250BE-HLGM	18380001	1	Bracket - Push Rod
13	SM-2000BE-HLGM	18409001	1	Bracket - Push Rod
14	ALL	61222000	1	Slotted Set Screw (Brass)
15	SM-1250BE-HLGM	57436000	1	O-Ring
15	SM-2000BE-HLGM	57503000	1	O-Ring
16	SM-1250BE-HLGM	44562000	1	Label - Identification
16	SM-2000BE-HLGM	44563000	1	Label - Identification
17	SM-1250BE-HLGM	63425001	1	Base Stem S/S
17	SM-2000BE-HLGM	63421001	1	Base Stem S/S
18	SM-1250BE-HLGM	11778001	1	Adapter (Brass)
18	SM-2000BE-HLGM	11777001	1	Adapter (Brass)
19	ALL	81407101	1	Electric 120 V AC Actuator Ass'y
20	ALL	61040000	2	Socket Screw S/S
21	ALL	15016000	71	.187 Ball (Brass)
22	ALL	33186000	1	Gasket - Rubber
23	ALL	63311002	1	Swivel (Brass)
24	SM-1250BE-HLGM	61222000	1	Slotted Set Screw (Brass)
24	SM-2000BE-HLGM	61221000	1	Slotted Set Screw (Brass)

	ELKHART BRASS MFG. CO., INC. ELKHART, INDIANA
THIS DRAWING CONTAINS INFORMATION THAT IS PROPRIETARY TO ELKHART BRASS MFG. CO., INC. AND MAY NOT BE USED TO PRODUCE ANY PARTS, ASSEMBLIES OR PRODUCTS DESCRIBED HEREIN WITHOUT EXPRESS WRITTEN PERMISSION.	
X-STREAM PAGE 14 OF 14 04/2012	PART LIST