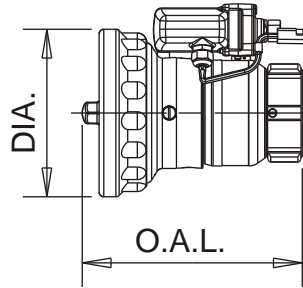
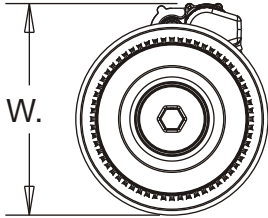
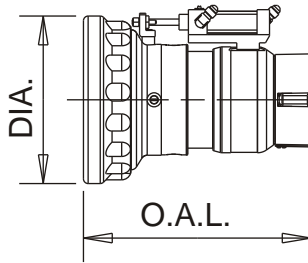
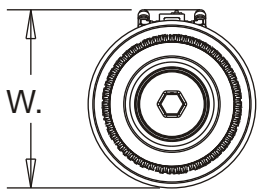


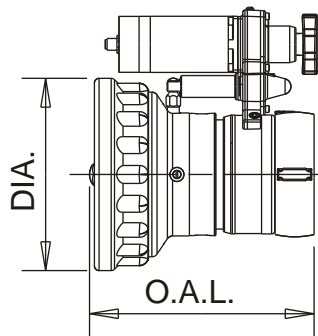
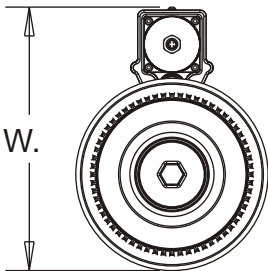
MANUAL



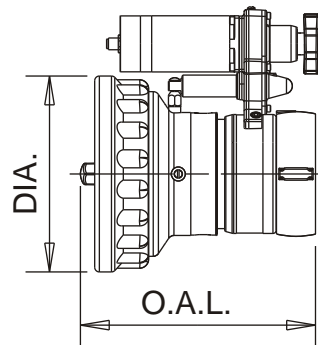
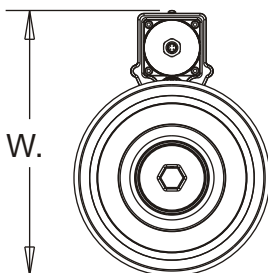
ELECTRIC



HYDRAULIC



HAZARDOUS LOCATION



GAS MITIGATION



ELKHART BRASS MFG. CO., INC.  
ELKHART, INDIANA

THIS DRAWING CONTAINS INFORMATION THAT IS  
PROPRIETARY TO ELKHART BRASS MFG. CO., INC.  
AND MAY NOT BE USED TO PRODUCE ANY PARTS,  
ASSEMBLIES OR PRODUCTS DESCRIBED HEREIN  
WITHOUT EXPRESS WRITTEN PERMISSION.

X-STREAM  
PAGE 1 OF 2  
05/2008

DIMENSIONAL  
DRAWING

X-STREAM DIMENSIONAL TABLE							
(In inches)							
MODEL	BASE SIZE	TYPE	OVERALL LENGTH (O.A.L.)		DIA.	WIDTH (W.)	WEIGHT (LBS.)
			MAX (S.S.)	MIN (FOG)			
SM-500E	2.50	ELECTRIC	9.31	8.29	6.88	7.55	9.0
SM-1000	2.50	MANUAL	9.31	8.29	6.88	11.03	7.6
SM-1000E	2.50	ELECTRIC	9.31	8.29	6.88	7.55	9.1
SM-1000H	2.50	HYDRAULIC	9.31	8.29	6.88	7.11	9.1
SM-1250	2.50	MANUAL	9.31	8.29	6.88	11.03	7.6
SM-1250B	2.50	MANUAL	9.31	8.29	6.88	11.03	20.6
SM-1250BE	2.50	ELECTRIC	9.31	8.29	6.88	7.55	22.5
SM-1250E	2.50	ELECTRIC	9.31	8.29	6.88	7.55	9.1
SM-1250H	2.50	HYDRAULIC	9.31	8.29	6.88	7.11	9.1
SM-1250HB	2.50	HYDRAULIC	9.31	8.29	6.88	7.11	19.8
SM-1000	3.50	MANUAL	9.31	8.29	6.88	11.03	7.9
SM-1000E	3.50	ELECTRIC	9.31	8.29	6.88	7.55	9.4
SM-1000H	3.50	HYDRAULIC	9.31	8.29	6.88	7.11	9.4
SM-1000BE-HL	3.50	HAZARDOUS LOCATION	9.31	8.29	6.88		27.6
SM-1250	3.50	MANUAL	9.31	8.29	6.88	11.03	7.9
SM-1250B	3.50	MANUAL	9.31	8.29	6.88	11.03	20.6
SM-1250BE	3.50	ELECTRIC	9.31	8.29	6.88	7.55	22.5
SM-1250BE-HL	3.50	HAZARDOUS LOCATION	9.31	8.29	6.88		27.6
SM-1250BE-HLGM	3.50	GAS MITIGATION	9.31	8.29	6.88		27.6
SM-1250E	3.50	ELECTRIC	9.31	8.29	6.88	7.55	9.4
SM-1250H	3.50	HYDRAULIC	9.31	8.29	6.88	7.11	9.4
SM-1250HB	3.50	HYDRAULIC	9.31	8.29	6.88	7.11	19.8
SM-1500E	3.50	ELECTRIC	10.07	9.05	7.93	8.53	1.0
SM-2000	3.50	MANUAL	9.63	8.55	7.93	11.48	9.0
SM-2000B	3.50	MANUAL	9.63	8.55	7.93	11.48	24.7
SM-2000BE	3.50	ELECTRIC	9.63	8.55	7.93	8.61	26.6
SM-2000BE-HL	3.50	HAZARDOUS LOCATION	9.87	8.85	7.93	10.51	30.2
SM-2000BE-HLGM	3.50	GAS MITIGATION	9.87	8.85	7.93	10.51	30.2
SM-2000E	3.50	ELECTRIC	10.07	9.05	7.93	8.53	10.4
SM-2000H	3.50	HYDRAULIC	9.63	8.55	7.93	8.04	10.0
SM-2000HB	3.50	HYDRAULIC	9.63	8.55	7.93	7.95	24.8



ELKHART BRASS MFG. CO., INC.  
ELKHART, INDIANA

THIS DRAWING CONTAINS INFORMATION THAT IS PROPRIETARY TO ELKHART BRASS MFG. CO., INC. AND MAY NOT BE USED TO PRODUCE ANY PARTS, ASSEMBLIES OR PRODUCTS DESCRIBED HEREIN WITHOUT EXPRESS WRITTEN PERMISSION.

X-STREAM  
PAGE 2 OF 2  
05/2008

DIMENSIONAL  
TABLE