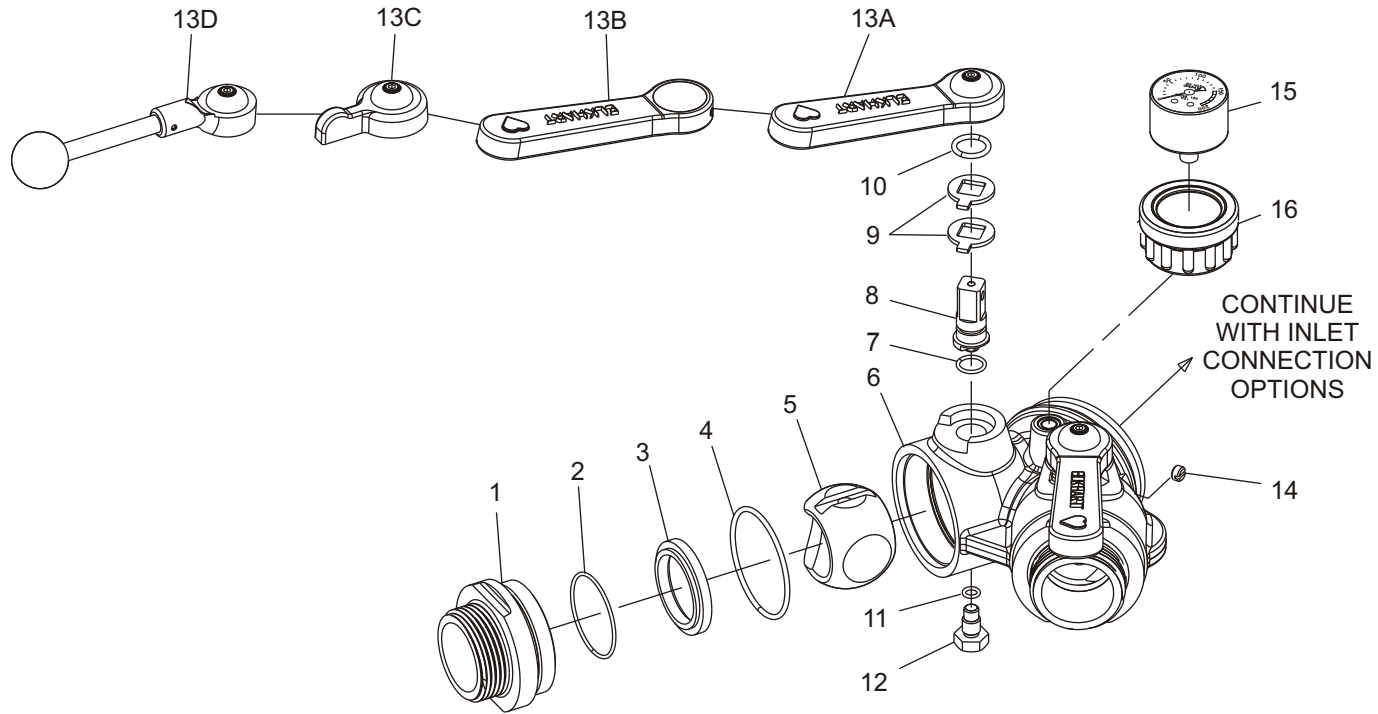
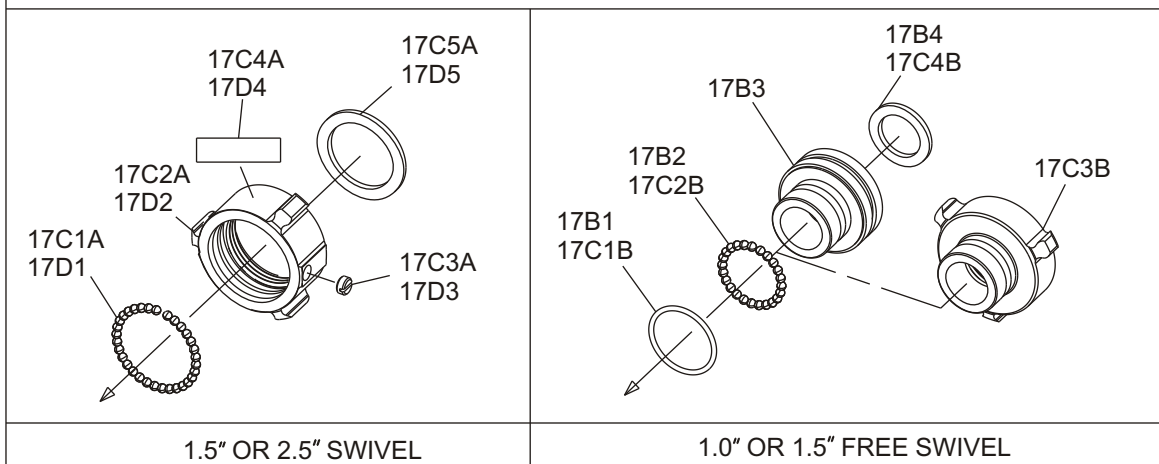


# WYES (ALUM) (B-100-A, B-100-LA, B-100-SA)



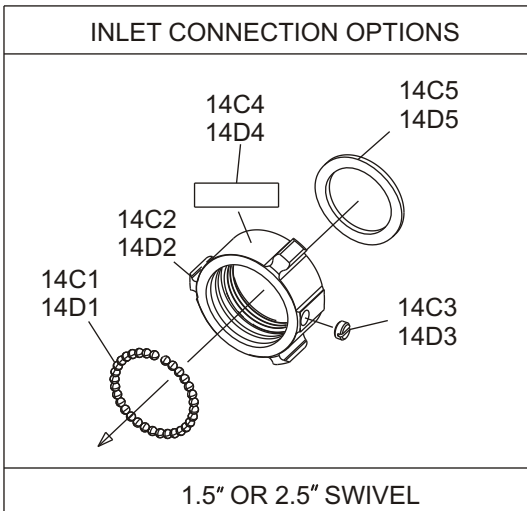
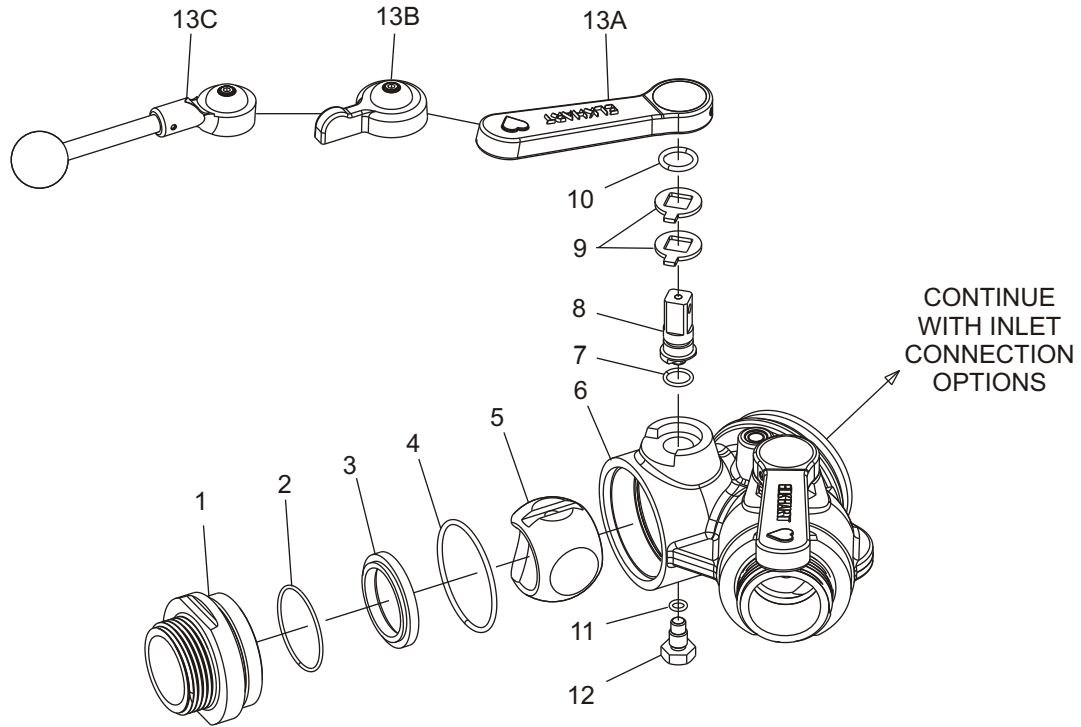
## INLET CONNECTION OPTIONS




**WYES (ALUM)**  
**(B-100-A, B-100-LA, B-100-SA)**

INDEX #	MODEL	PART #	QTY	DESCRIPTION	INDEX #	MODEL	PART #	QTY	DESCRIPTION
1	B-100-A	10829001	2	Adapter - Outlet (1.5" NHT Rigid)	13A	ALL	99454201	2	Long Handle (Alum) (STD)
1	B-100-LA	10829001	2	Adapter - Outlet (1.5" NHT Rigid)	13B	ALL	99454101	2	Urethane Handle
1	B-100-SA	10832001	2	Adapter - Outlet (0.75" NHT Rigid)	13C	ALL	99454301	2	Short Handle (Alum)
1	B-100-SA	10828001	2	Adapter - Outlet (1.0" NHT Rigid)	13D	ALL	99454401	2	Knob Handle
2	B-100-A	57466000	2	O-Ring	14	B-100-SA	63687000	1	Screw Set
2	B-100-LA	57466000	2	O-Ring	15	B-100-A	39130000	1(Opt)	Gauge Pressure
2	B-100-SA	57464000	2	O-Ring	16	B-100-A	23544000	1(Opt)	Cover Pressure
3	B-100-A	63863000	2	Seat - Valve	17B1	B-100-SA	57336000	1	O-Ring (1.0" NHT Free Swivel)
3	B-100-LA	63863000	2	Seat - Valve	17B2	B-100-SA	15018000	23	.187 Balls S/S (1.0" NHT Free Swivel)
3	B-100-SA	61415000	2	Seat - Valve	17B3	B-100-SA	16760001	1	Base (1.0" NHT Free Swivel)
4	B-100-A	57324000	2	O-Ring	17B4	B-100-SA	33091000	1	Gasket - Rubber (1.0" NHT Free Swivel)
4	B-100-LA	57324000	2	O-Ring	17C1A	B-100-LA	15018000	32	.187 Ball S/S (1.5" NHT Swivel)
4	B-100-SA	57347000	2	O-Ring	17C2A	B-100-LA	63068001	1	1.5" Swivel (1.5" NHT Swivel)
5	B-100-A	17304000	2	Ball - Valve	17C3A	B-100-LA	63674000	1	Screw Set (1.5" NHT Swivel)
5	B-100-LA	17304000	2	Ball - Valve	17C4A	B-100-LA	44245000	1	Label - Caution (1.5" NHT Swivel)
5	B-100-SA	15076000	2	Ball - Valve	17C5A	B-100-LA	33074000	1	Gasket - Rubber (1.5" NHT Swivel)
6	B-100-A	16340001	1	Body - Valve	17C1B	B-100-SA	57336000	1	O-Ring (1.5" NHT Free Swivel)
6	B-100-LA	16334001	1	Body - Valve	17C2B	B-100-SA	15018000	23	.187 Balls S/S (1.5" NHT Free Swivel)
6	B-100-SA	17757001	1	Body - Valve	17C3B	B-100-SA	16762001	1	Base (1.5" NHT Free Swivel)
7	ALL	57321000	2	O-Ring	17C4B	B-100-SA	33074000	1	Gasket - Rubber (1.5" NHT Free Swivel)
8	ALL	63764001	2	Shaft Actuator	17D1	B-100-A	15018000	52	.187 Ball S/S (2.5" NHT Swivel)
9	ALL	51813001	4	Stop Plate	17D2	B-100-A	63069001	1	2.5" Swivel (2.5" NHT Swivel)
10	ALL	57395000	2	O-Ring	17D3	B-100-A	63674000	1	Screw Set (2.5" NHT Swivel)
11	ALL	57348000	2	O-Ring	17D4	B-100-A	44245000	1	Label - Caution (2.5" NHT Swivel)
12	ALL	63706001	2	Screw - Ball Pivot	17D5	B-100-A	33083000	1	Gasket - Rubber (2.5" NHT Swivel)

**WYES (BRASS)  
(B-100, B-100-L)**



 <b>ELKHART BRASS MFG. CO., INC.</b> ELKHART, INDIANA	
<small>THIS DRAWING CONTAINS INFORMATION THAT IS PROPRIETARY TO ELKHART BRASS MFG. CO., INC. AND MAY NOT BE USED TO PRODUCE ANY PARTS, ASSEMBLIES OR PRODUCTS DESCRIBED HEREIN WITHOUT EXPRESS WRITTEN PERMISSION.</small>	
WYES PAGE 3 OF 4 03/2008	PART DRAWING

**WYES (BRASS)  
(B-100, B-100-L)**

INDEX #	MODEL	PART #	QTY	DESCRIPTION
1	ALL	10827001	2	Adapter - Outlet (1.5" NHT Rigid)
2	ALL	57466000	2	O-Ring
3	ALL	63863000	2	Seat - Valve
4	ALL	57324000	2	O-Ring
5	ALL	17304000	2	Ball - Valve
6	B-100-L	16335001	1	Body - Valve
6	B-100	16337001	1	Body - Valve
7	ALL	57321000	2	O-Ring
8	ALL	63754001	2	Shaft Actuator
9	ALL	51813001	4	Stop Plate
10	ALL	57395000	2	O-Ring
11	ALL	57348000	2	O-Ring
12	ALL	63704000	2	Screw - Ball Pivot
13A	ALL	99454101	2	Urethane Handle (STD)
13B	B-100-L	99454301	2	Short Handle (Alum)
13C	ALL	99454401	2	Knob Handle
14C1	B-100-L	15016000	32	.187 Ball Brass (1.5" NHT Swivel)
14C2	B-100-L	62960002	1	1.5" Swivel (1.5" NHT Swivel)
14C3	B-100-L	61222000	1	Screw Set (1.5" NHT Swivel)
14C4	B-100-L	44245000	1	Label - Caution (1.5" NHT Swivel)
14C5	B-100-L	33074000	1	Gasket - Rubber (1.5" NHT Swivel)
14D1	B-100	15016000	52	.187 Ball Brass (2.5" NHT Swivel)
14D2	B-100	62916002	1	2.5" Swivel (2.5" NHT Swivel)
14D3	B-100	61222000	1	Screw Set (2.5" NHT Swivel)
14D4	B-100	44245000	1	Label - Caution (2.5" NHT Swivel)
14D5	B-100	33083000	1	Gasket - Rubber (2.5" NHT Swivel)



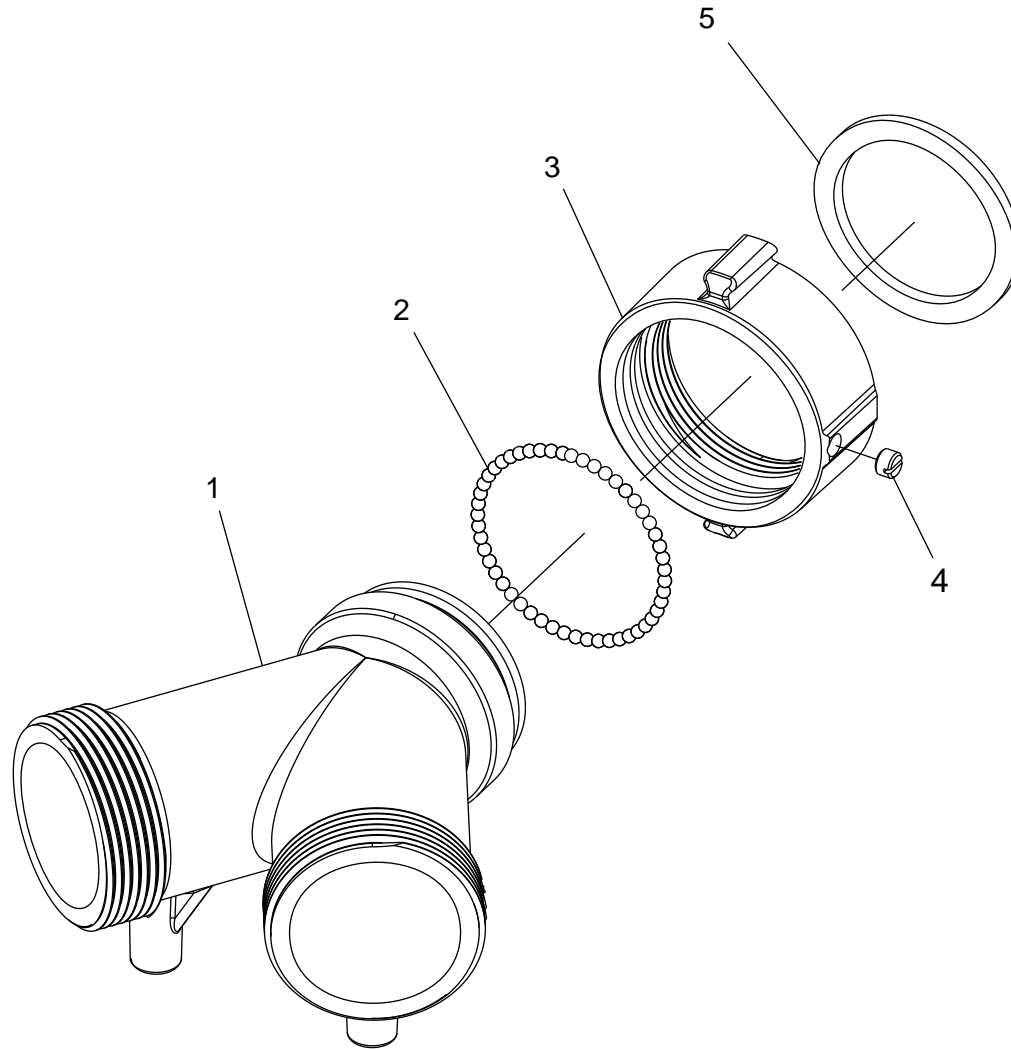
ELKHART BRASS MFG. CO., INC.  
ELKHART, INDIANA


THIS DRAWING CONTAINS INFORMATION THAT IS  
PROPRIETARY TO ELKHART BRASS MFG. CO., INC.  
AND MAY NOT BE USED TO PRODUCE ANY PARTS,  
ASSEMBLIES OR PRODUCTS DESCRIBED HEREIN  
WITHOUT EXPRESS WRITTEN PERMISSION.

WYES  
PAGE 4 OF 4  
03/2009

PART  
LIST

**WYES**  
**(1, 1A - 2.5"FX2.5"M[x2])**



 ELKHART BRASS MFG. CO., INC.  
ELKHART, INDIANA


THIS DRAWING CONTAINS INFORMATION THAT IS  
PROPRIETARY TO ELKHART BRASS MFG. CO., INC.  
AND MAY NOT BE USED TO PRODUCE ANY PARTS,  
ASSEMBLIES OR PRODUCTS DESCRIBED HEREIN  
WITHOUT EXPRESS WRITTEN PERMISSION.

WYES  
PAGE 1 OF 2  
05/2008

PART  
DRAWING

**WYES**  
**(1, 1A - 2.5"FX2.5"M[x2])**

INDEX #	MODEL	PART #	QTY	DESCRIPTION
1	1	71404001	1	Wye - Plain (Brass)
1	1A	71416001	1	Wye - Plain (Alum)
2	1	15016000	52	.187 Ball Brass
2	1A	15018000	52	.187 Ball S/S
3	1	62916002	1	2.5" Swivel (Brass)
3	1A	63069001	1	2.5" Swivel (Alum)
4	1	61248000	1	Screw Set (Brass)
4	1A	63674000	1	Screw Set (Alum)
5	ALL	33083000	1	Gasket - Rubber

	ELKHART BRASS MFG. CO., INC. ELKHART, INDIANA	
	<small>THIS DRAWING CONTAINS INFORMATION THAT IS PROPRIETARY TO ELKHART BRASS MFG. CO., INC. AND MAY NOT BE USED TO PRODUCE ANY PARTS, ASSEMBLIES OR PRODUCTS DESCRIBED HEREIN WITHOUT EXPRESS WRITTEN PERMISSION.</small>	
WYES PAGE 2 OF 2 05/2009	PART LIST	

**CONNECTION OPTIONS KEY\***


**DESIGNATIONS**

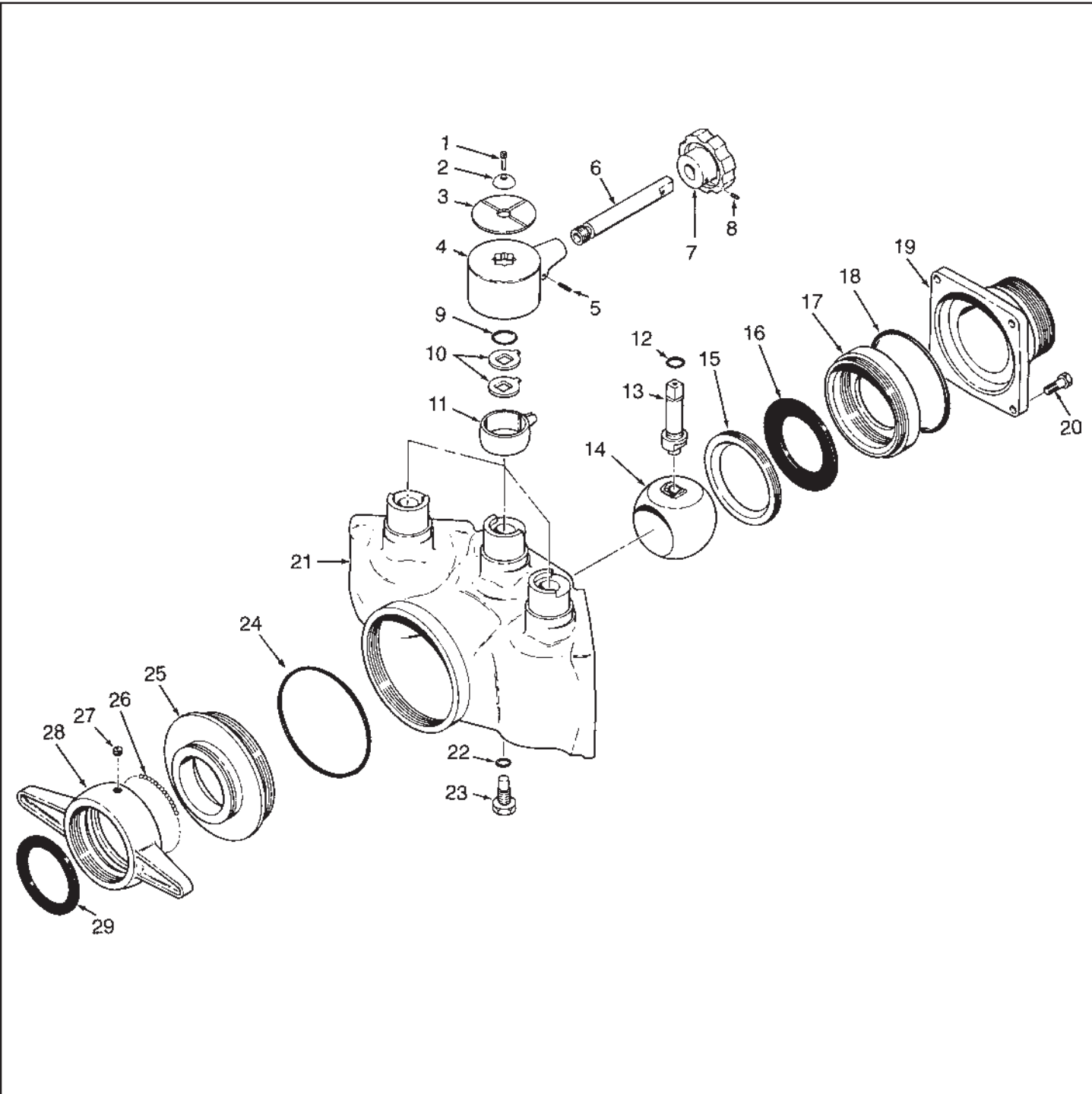
<b>A</b>	.75"
<b>B</b>	1"
<b>C</b>	1.5"
<b>D</b>	2.5"
<b>E</b>	3"
<b>F</b>	3.5"
<b>G</b>	4"
<b>H</b>	4.5"
<b>J</b>	5"
<b>K</b>	6"

*Example: A 1" female swivel inlet would be **B***

\*Not all inlet or outlet options will be available with every appliance.

All appliances are NHT unless otherwise specified. Inquire with our sales staff about other thread options.

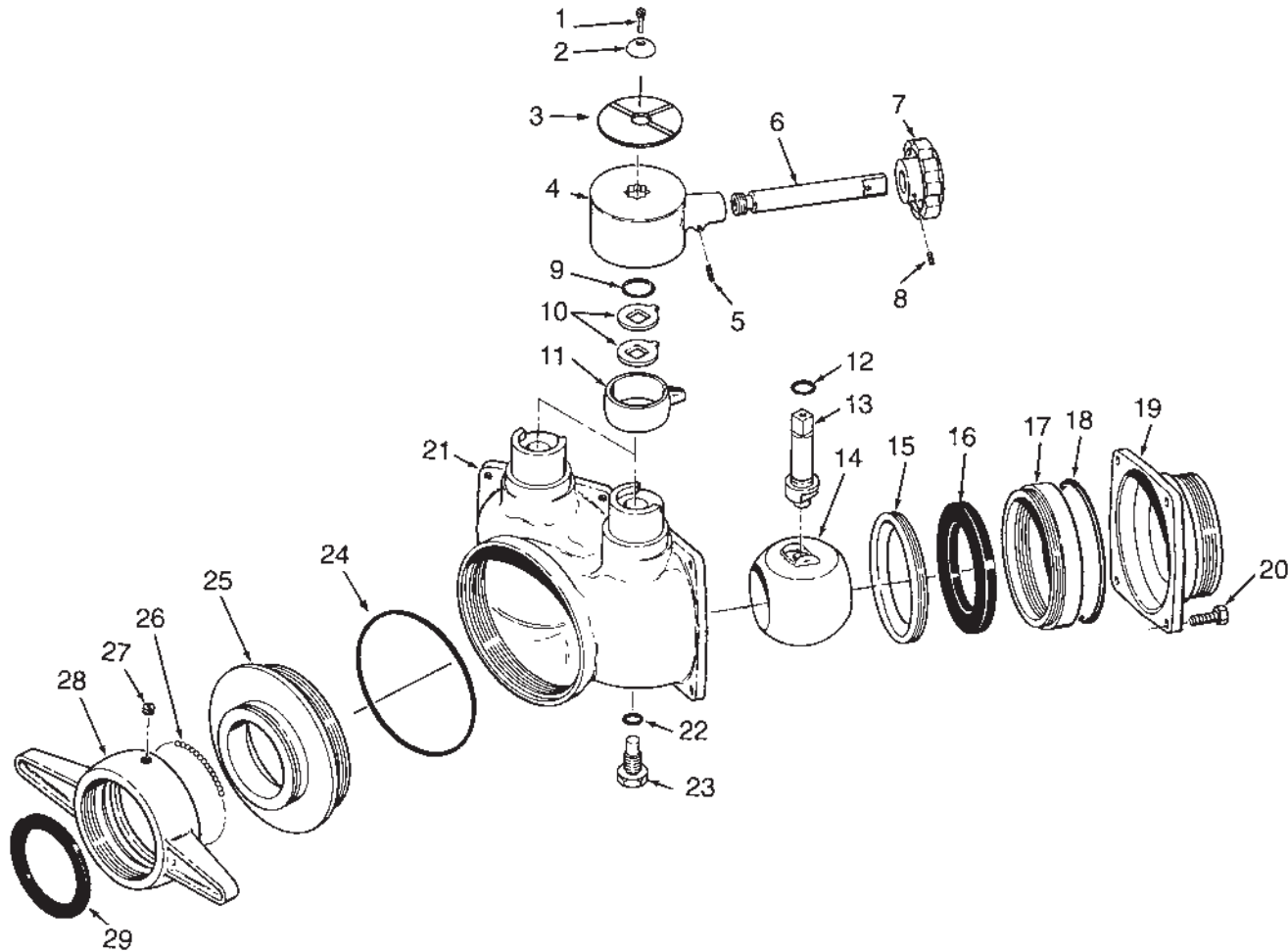
	ELKHART BRASS MFG. CO., INC. ELKHART, INDIANA
THIS DRAWING CONTAINS INFORMATION THAT IS PROPRIETARY TO ELKHART BRASS MFG. CO., INC. AND MAY NOT BE USED TO PRODUCE ANY PARTS, ASSEMBLIES OR PRODUCTS DESCRIBED HEREIN WITHOUT EXPRESS WRITTEN PERMISSION.	
CONNECTION OPTIONS KEY 03/2009	



INDEX NO.	PART NO.	QTY. REQ.	DESCRIPTION
1	61036	3	Cap Screw
2	71082	3	Handle Washer
3	51730	1	Indicator Plate
4	15787	3	Handle Body (B-95)
4	15800	3	Handle Body (B-95A)
5	51246	3	Roll Pin
6	61519	3	Handle Rod
7	42054	3	Handle Knob
8	63677	3	Set Screw
9	57395	3	"O" Ring
10	51812	6	Stop Plate
11	61701	3	Expanding Sleeve (B-95)
11	61706	3	Expanding Sleeve (B-95A)
12	57295	3	"O" Ring
13	61467	3	Actuator Shaft ((B-95)
13	63756	3	Actuator Shaft (B-95A)
14	17303	3	Valve Ball
15	57264	3	Retainer Lock Ring (B-95)
15	57273	3	Retainer Lock Ring (B-95A)
16	61391	3	Valve Seat
17	57032	3	Seat Retainer (B-95)
17	58886	3	Seat Retainer (B-95A)
18	57390	3	"O" Ring
19	20113	3	2.5" Male End Cap (B-95)
19	20122	3	2.5" Male End Cap (B-95A)
20	16375	12	Cap Screw
21	16316	1	Body (B-95)
21	16326	1	Body (B-95A)
22	57321	3	"O" Ring
23	61192	3	Pivot Bolt
24	57308	1	"O" Ring
25	10033	1	2.5" B/G Adapter (B-95)
25	10061	1	2.5" B/G Adapter (B-95A)
25	10034	1	3.0" B/G Adapter (B-95)
25	10062	1	3.0" B/G Adapter (B-95A)
25	10035	1	3.5" B/G Adapter (B-95)
25	10060	1	3.5" B/G Adapter (B-95A)
25	10036	1	4.0" B/G Adapter (B-95)
25	10059	1	4.0" B/G Adapter (B-95A)
25	10030	1	4.5" B/G Adapter (B-95)
25	10058	1	4.5" B/G Adapter (B-95A)
25	10031	1	5.0" B/G Adapter (B-95)
25	10063	1	5.0" B/G Adapter (B-95A)
25	10032	1	6.0" B/G Adapter (B-95)
25	10064	1	6.0" B/G Adapter (B-95A)
26	15016	*	.187 Diam. Brass Ball (B-95)
26	15018	*	.187 Diam. S/S Ball (B-95A)
27	61221	1	Set Screw (2.5", 3.5") (B-95)
27	61224	1	Set Screw (3.0", 4.0", 4.5", 5.0", 6.0") (B-95)
27	63674	1	Set Screw (2.5") (B-95A)
27	63676	1	Set Screw (3.0", 4.0", 4.5", 5.0", 6.0") (B-95A)
27	63675	1	Set Screw (3.5") (B-95A)
28	62962	1	2.5" L/H Swivel (B-95)
28	63034	1	2.5" L/H Swivel (B-95A)
28	62974	1	3.0" L/H Swivel (B-95)
28	63024	1	3.0" L/H Swivel (B-95A)
28	62879	1	3.5" L/H Swivel (B-95)
28	63023	1	3.5" L/H Swivel (B-95A)
28	62903	1	4.0" L/H Swivel (B-95)
28	63025	1	4.0" L/H Swivel (B-95A)
28	62911	1	4.5" L/H Swivel (B-95)
28	63026	1	4.5" L/H Swivel (B-95A)
28	62957	1	5.0" L/H Swivel (B-95)
28	63027	1	5.0" L/H Swivel (B-95A)
28	62909	1	6.0" L/H Swivel (B-97)
28	63028	1	6.0" L/H Swivel (B-95A)
29	33083	1	Rubber Gasket 2.5"
29	33094	1	Rubber Gasket 3.0"
29	33186	1	Rubber Gasket 3.5"
29	33177	1	Rubber Gasket 4.0"
29	33180	1	Rubber Gasket 4.5"
29	33179	1	Rubber Gasket 5.0"
29	33184	1	Rubber Gasket 6.0"

\* 2.5" -52, 3.0" -58, 3.5" -71, 4.0" -79, 4.5" -92, 5.0" -96, 6.0" -113





INDEX NO.	PART NO.	QTY. REQ.	DESCRIPTION
1	61036	2	Cap Screw
2	71082	2	Handle Washer
3	51730	2	Indicator Plate
4	15787	2	Handle Body (B-97)
4	15800	2	Handle Body (B-97A)
5	51246	2	Roll Pin
6	61519	2	Handle Rod
7	42054	2	Handle Knob
8	63677	2	Set Screw
9	57395	2	"O" Ring
10	51812	2	Stop Plate
11	61701	2	Expanding Sleeve (B-97)
11	61706	2	Expanding Sleeve (B-97A)
12	57295	2	"O" Ring
13	61467	2	Actuator Shaft (B-97)
13	63756	2	Actuator Shaft (B-97A)
14	17303	2	Valve Ball
15	57264	2	Retainer Lock Ring (B-97)
15	57273	2	Retainer Lock Ring (B-97A)
16	61391	2	Valve Seat
17	57032	2	Seat Retainer (B-97)
17	58886	2	Seat Retainer (B-97A)
18	57390	2	"O" Ring
19	20113	2	2.5" Male End Cap (B-97)
19	20122	2	2.5" Male End Cap (B-97A)
20	16375	8	Cap Screw
21	16357	1	Body (B-97)
21	16358	1	Body (B-97A)
22	57321	2	"O" Ring
23	61192	2	Pivot Bolt
24	57308	1	"O" Ring
25	10033	1	2.5" B/G Adapter (B-97)
25	10061	1	2.5" B/G Adapter (B-97A)
25	10034	1	3.0" B/G Adapter (B-97)
25	10062	1	3.0" B/G Adapter (B-97A)
25	10035	1	3.5" B/G Adapter (B-97)
25	10060	1	3.5" B/G Adapter (B-97A)
25	10036	1	4.0" B/G Adapter (B-97)
25	10059	1	4.0" B/G Adapter (B-97A)
25	10030	1	4.5" B/G Adapter (B-97)
25	10058	1	4.5" B/G Adapter (B-97A)
25	10031	1	5.0" B/G Adapter (B-97)
25	10063	1	5.0" B/G Adapter (B-97A)
25	10032	1	6.0" B/G Adapter (B-97)
25	10064	1	6.0" B/G Adapter (B-97A)
26	15016	*	.187 Diam. Brass Ball (B-97)
26	15018	*	.187 Diam. S/S Ball (B-97A)
27	61221	1	Set Screw (2.5", 3.5") (B-97)
27	61224	1	Set Screw (3.0", 4.0", 4.5", 5.0", 6.0") (B-97)
27	63674	1	Set Screw (2.5") (B-97A)
27	63676	1	Set Screw (3.0", 4.0", 4.5", 5.0", 6.0") (B-97A)
27	63675	1	Set Screw (3.5") (B-97A)
28	62962	1	2.5" L/H Swivel (B-97)
28	63034	1	2.5" L/H Swivel (B-97A)
28	62974	1	3.0" L/H Swivel (B-97)
28	63024	1	3.0" L/H Swivel (B-97A)
28	62879	1	3.5" L/H Swivel (B-97)
28	63023	1	3.5" L/H Swivel (B-97A)
28	62903	1	4.0" L/H Swivel (B-97)
28	63025	1	4.0" L/H Swivel (B-97A)
28	62911	1	4.5" L/H Swivel (B-97)
28	63026	1	4.5" L/H Swivel (B-97A)
28	62957	1	5.0" L/H Swivel (B-97)
28	63027	1	5.0" L/H Swivel (B-97A)
28	62909	1	6.0" L/H Swivel (B-97)
28	63028	1	6.0" L/H Swivel (B-97A)
29	33083	1	Rubber Gasket 2.5"
29	33094	1	Rubber Gasket 3.0"
29	33186	1	Rubber Gasket 3.5"
29	33177	1	Rubber Gasket 4.0"
29	33180	1	Rubber Gasket 4.5"
29	33179	1	Rubber Gasket 5.0"
29	33184	1	Rubber Gasket 6.0"

\* 2.5"-52, 3.0"-58, 3.5"-71, 4.0"-79, 4.5"-92, 5.0"-96, 6.0"-113