
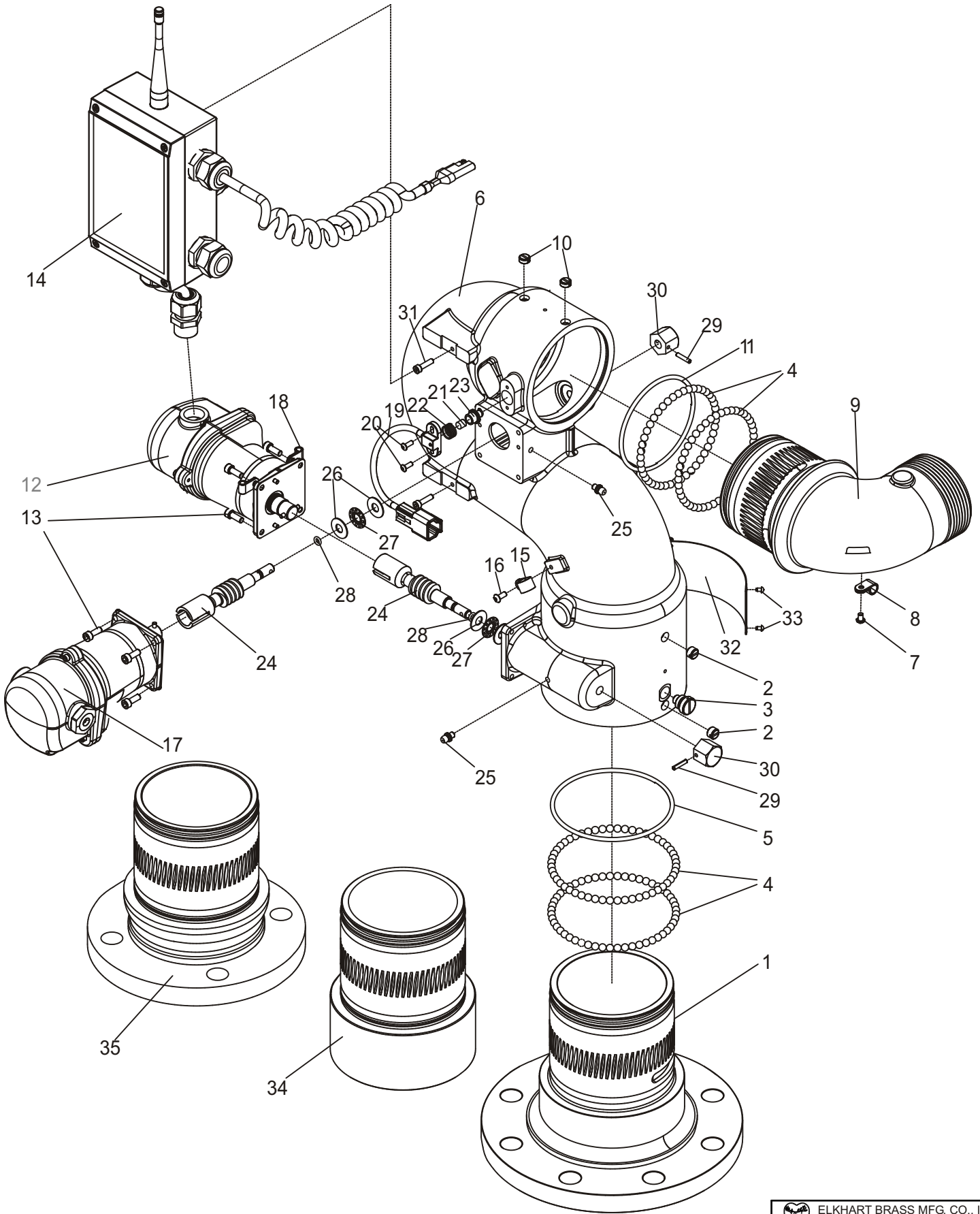



VULCAN RF 8500-01

INDEX #	PART #	QTY	DESCRIPTION
1	28132001	1	Discharge Elbow
2	23576000	2	Loop Clamp
3	64086000	1	Button Cap Screw
4	46050000	2	Magnet
5	15027000	194	.250 S/S Ball
6	57316000	1	O-Ring
7	57414000	1	O-Ring
8	51248000	2	Roll Pin
9	47652001	2	Override Nut (.750" Hex)
10	63674000	2	Set Screw
11	17680001	1	Monitor Body
12	81280001	1	Hall Effect Sensor
13	64073000	2	Button Cap Screw
14	57519000	1	O-Ring
15	59125000	2	Retaining Ring
16	31011000	2	Grease Fitting
17	61215100	4	Drive Screw
18	44389000	1	Label - Vulcan RF Serial Tag
19	63688000	2	Set Screw
20	57298000	2	O-Ring
21	81291001	1	Rotating Connector
22	61076000	1	Button Cap Screw
23	17947001	1 (Opt)	Base - 4" 150# Flange
24	15612001	1 (Opt)	Base - 3" NPT
25	15615001	1	base - 3" 150# Flange
26	24144000	1	Connector
27	44408000	1	TPA 3 Way
28	81279901	1	Electric Motor W/ Encoder
29	64074000	4	Cap Screw
30	63947900	2	Worm Shaft
31	57380000	2	O-Ring
32	71516000	4	Thrust Washer
33	17702000	2	Thrust Bearing
34	81119001	1	Electric Motor (Slow; 65.5:1)
35	64072000	4	Cap Screw
36	71515000	2	Thrust Washer
37	17701000	1	Thrust Bearing
38	20991001	1	Shaft Coupling
39	65201000	1	Set Screw
40	65219000	1	Set Screw
41	51071000	1	Drive Pin
42	81416001	1	RF Receiver/Control Module Enclosure
43	65127000	2	Cap Screw
44	57298000	2	O-Ring

	ELKHART BRASS MFG. CO., INC. ELKHART, INDIANA
THIS DRAWING CONTAINS INFORMATION THAT IS PROPRIETARY TO ELKHART BRASS MFG. CO., INC. AND MAY NOT BE USED TO PRODUCE ANY PARTS, ASSEMBLIES OR PRODUCTS DESCRIBED HEREIN WITHOUT EXPRESS WRITTEN PERMISSION.	
VULCAN RF 8500-01 PAGE 2 OF 4 01/2018	PART LIST





ELKHART BRASS MFG. CO., INC.
 ELKHART, INDIANA

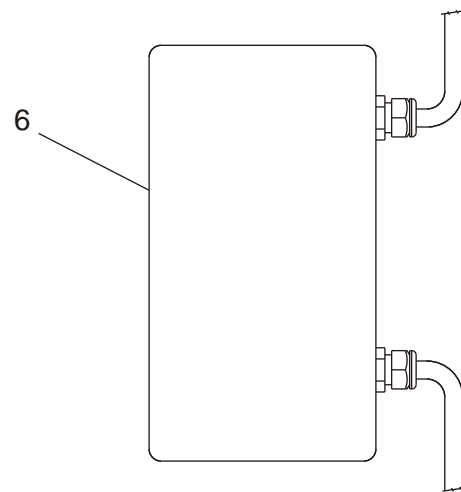
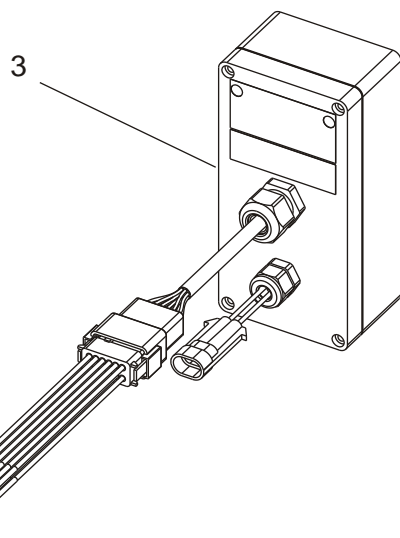
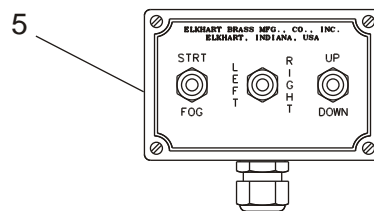
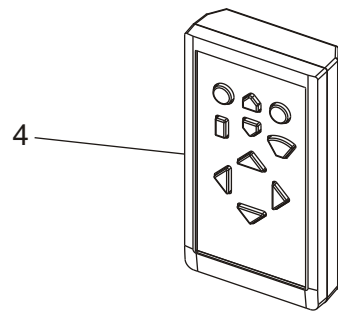
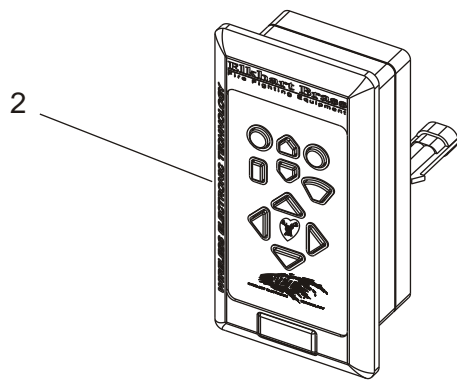
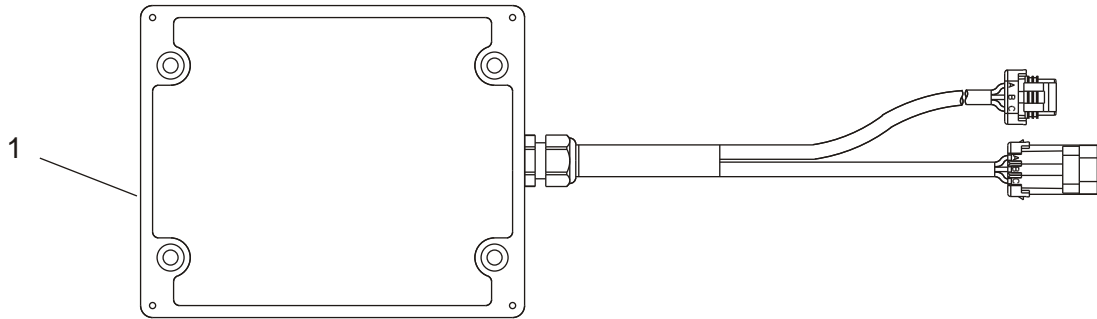
THIS DRAWING CONTAINS INFORMATION THAT IS PROPRIETARY TO ELKHART BRASS MFG. CO., INC. AND MAY NOT BE USED TO PRODUCE ANY PARTS, ASSEMBLIES OR PRODUCTS DESCRIBED HEREIN WITHOUT EXPRESS WRITTEN PERMISSION.

VULCAN RF 8500-01 EXT PAGE 3 OF 4 12/2007	PART DRAWING
---	-----------------

VULCAN RF 8500-01 EXT

INDEX #	PART #	QTY	DESCRIPTION
1	17961001	1	Base - 4" 150# Flange
2	63688000	2	Set Screw
3	65073001	1	Screw - Drive Cam
4	15027000	194	.250 S/S Ball
5	57316000	1	O-Ring
6	18212001	1	Inlet Body
7	64086000	1	Button Cap Screw
8	23576000	1	Loop Clamp
9	28139001	1	Discharge Elbow
10	63674000	2	Set Screw
11	57312000	1	O-Ring
12	81478901	1	Electric Motor W/ Encoder
13	64074000	8	Cap Screw
14	81477001	1	Receiver Assembly
15	23580000	1	Loop Clamp
16	61076000	1	Button Cap Screw
17	81279901	1	Electric Motor W/ Encoder
18	23571000	2	Loop Clamp
19	65104000	1	Sensor
20	64073000	2	Button Cap Screw
21	46050000	1	Magnet
22	62150000	1	Spring
23	64057001	1	Safety Interlock Shaft
24	63947900	2	Worm Shaft
25	31011000	2	Grease Fitting
26	71516000	4	Thrust Washer
27	17702000	2	Thrust Bearing
28	57380000	2	O-Ring
29	51248000	2	Roll Pin
30	47652001	2	Override Nut (.750" Hex)
31	65127000	2	Cap Screw
32	44389000	1	Label - Vulcan RF Serial Tag
33	61215100	4	Drive Screw
34	17802001	1 (Opt)	Base - 3" NPT
35	17801001	1 (Opt)	Base - 3" 150# Flange

 ELKHART BRASS MFG. CO., INC. ELKHART, INDIANA	
<small>THIS DRAWING CONTAINS INFORMATION THAT IS PROPRIETARY TO ELKHART BRASS MFG. CO., INC. AND MAY NOT BE USED TO PRODUCE ANY PARTS, ASSEMBLIES OR PRODUCTS DESCRIBED HEREIN WITHOUT EXPRESS WRITTEN PERMISSION.</small>	
<small>VULCAN 8500-01 EXT PAGE 4 OF 4 01/2009</small>	<small>PART LIST</small>



 ELKHART BRASS MFG. CO., INC.
ELKHART, INDIANA

THIS DRAWING CONTAINS INFORMATION THAT IS PROPRIETARY TO ELKHART BRASS MFG. CO., INC. AND MAY NOT BE USED TO PRODUCE ANY PARTS, ASSEMBLIES OR PRODUCTS DESCRIBED HEREIN WITHOUT EXPRESS WRITTEN PERMISSION.

VULCAN RF
PAGE 1 OF 2
07/2008

CONTROLS
PART
DRAWING

**VULCAN RF 8500-01, 8500-01EXT
CONTROLS**

INDEX #	PART #	DESCRIPTION
1	81492001	Auxiliary Battery Pack
2	81327101	Primary Panel Mount Transmitter (Antenna not shown)
2	81327201	Secondary Panel Mount Transmitter
3	81353101	Primary OEM Transmitter
3	81353201	Secondary OEM Transmitter
4	81282001	Hand held Transmitter
5	81549001	Switch Box
6	81545001	Power Module

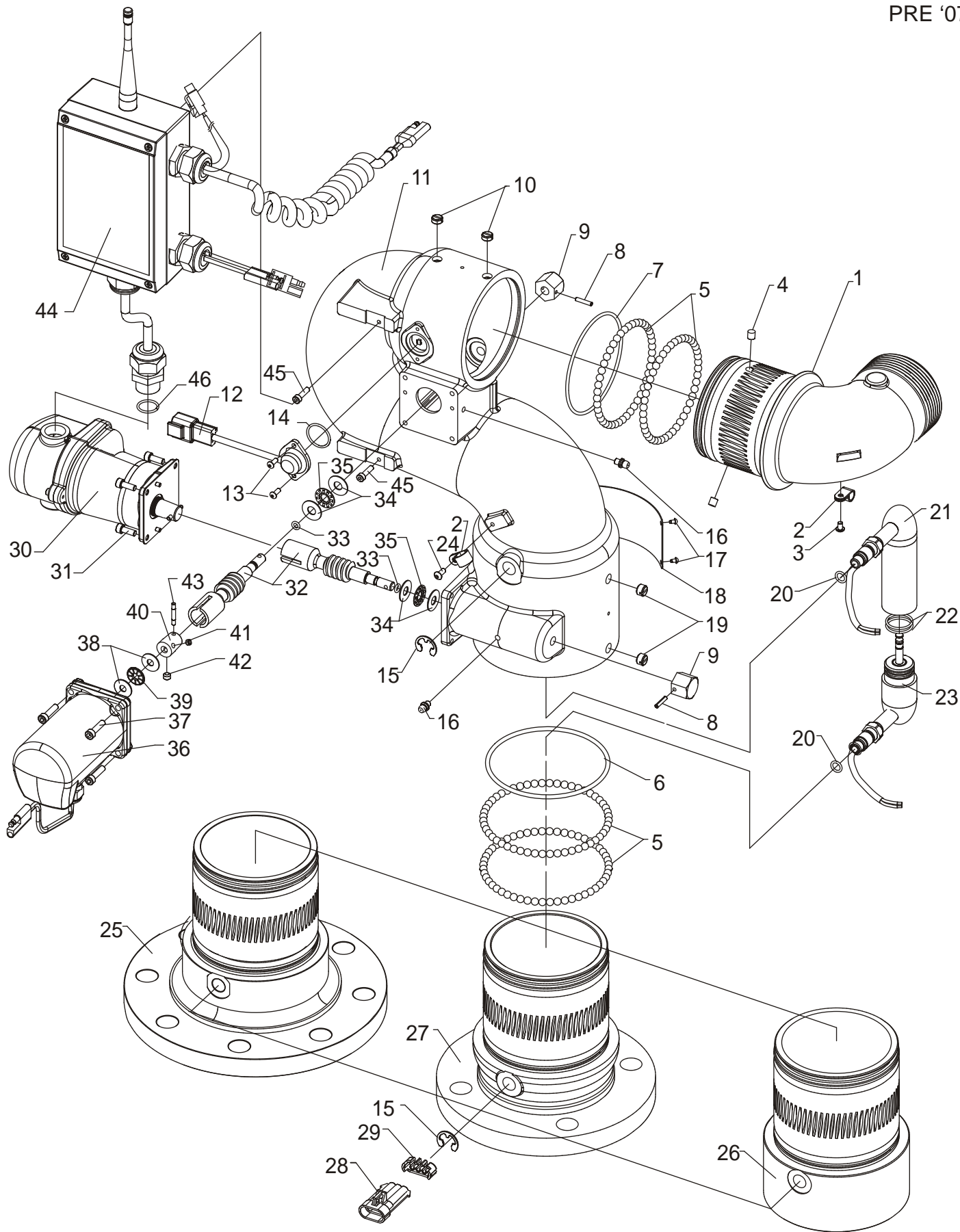


ELKHART BRASS MFG. CO., INC.
ELKHART, INDIANA

THIS DRAWING CONTAINS INFORMATION THAT IS
PROPRIETARY TO ELKHART BRASS MFG. CO., INC.
AND MAY NOT BE USED TO PRODUCE ANY PARTS,
ASSEMBLIES OR PRODUCTS DESCRIBED HEREIN
WITHOUT EXPRESS WRITTEN PERMISSION.

VULCAN RF
PAGE 2 OF 2
12/2011

CONTROLS
PART
LIST



VULCAN RF 8500-01

INDEX #	PART #	QTY	DESCRIPTION
1	28132001	1	Discharge Elbow
2	23576000	2	Loop Clamp
3	64086000	1	Button Cap Screw
4	46050000	2	Magnet
5	15027000	194	.250 S/S Ball
6	57316000	1	O-Ring
7	57414000	1	O-Ring
8	51248000	2	Roll Pin
9	47652001	2	Override Nut (.750" Hex)
10	63674000	2	Set Screw
11	17680001	1	Monitor Body
12	81280001	1	Hall Effect Sensor
13	64073000	2	Button Cap Screw
14	57519000	1	O-Ring
15	47495000	2	Jam Nut
16	31011000	2	Grease Fitting
17	61215100	4	Drive Screw
18	44389000	1	Label - Vulcan RF Serial Tag
19	63688000	2	Set Screw
20	57298000	2	O-Ring
21	81295001	1	Rotating Connector Top
22	57483000	2	O-Ring
23	81297001	1	Rotating Connector Bottom
24	61076000	1	Button Cap Screw
25	17947001	1 (Opt)	Base - 4" 150# Flange
26	15612001	1 (Opt)	Base - 3" NPT
27	15615001	1	Base - 3" 150# Flange
28	24144000	1	Connector
29	44408000	1	TPA 3 Way
30	81279001	1	Electric Motor W/ Encoder
31	64074000	4	Cap Screw
32	63947000	2	Worm Shaft
33	57380000	2	O-Ring
34	71516000	4	Thrust Washer
35	17702000	2	Thrust Bearing
36	81119001	1	Electric Motor (Slow; 65.5:1)
37	64072000	4	Cap Screw
38	71515000	2	Thrust Washer
39	17701000	1	Thrust Bearing
40	20991001	1	Shaft Coupling
41	65201000	1	Set Screw
42	63699000	1	Set Screw
43	51071000	1	Drive Pin
44	81416001	1	RF Receiver/Control Module Enclosure
45	65127000	2	Cap Screw
46	57298000	2	O-Ring



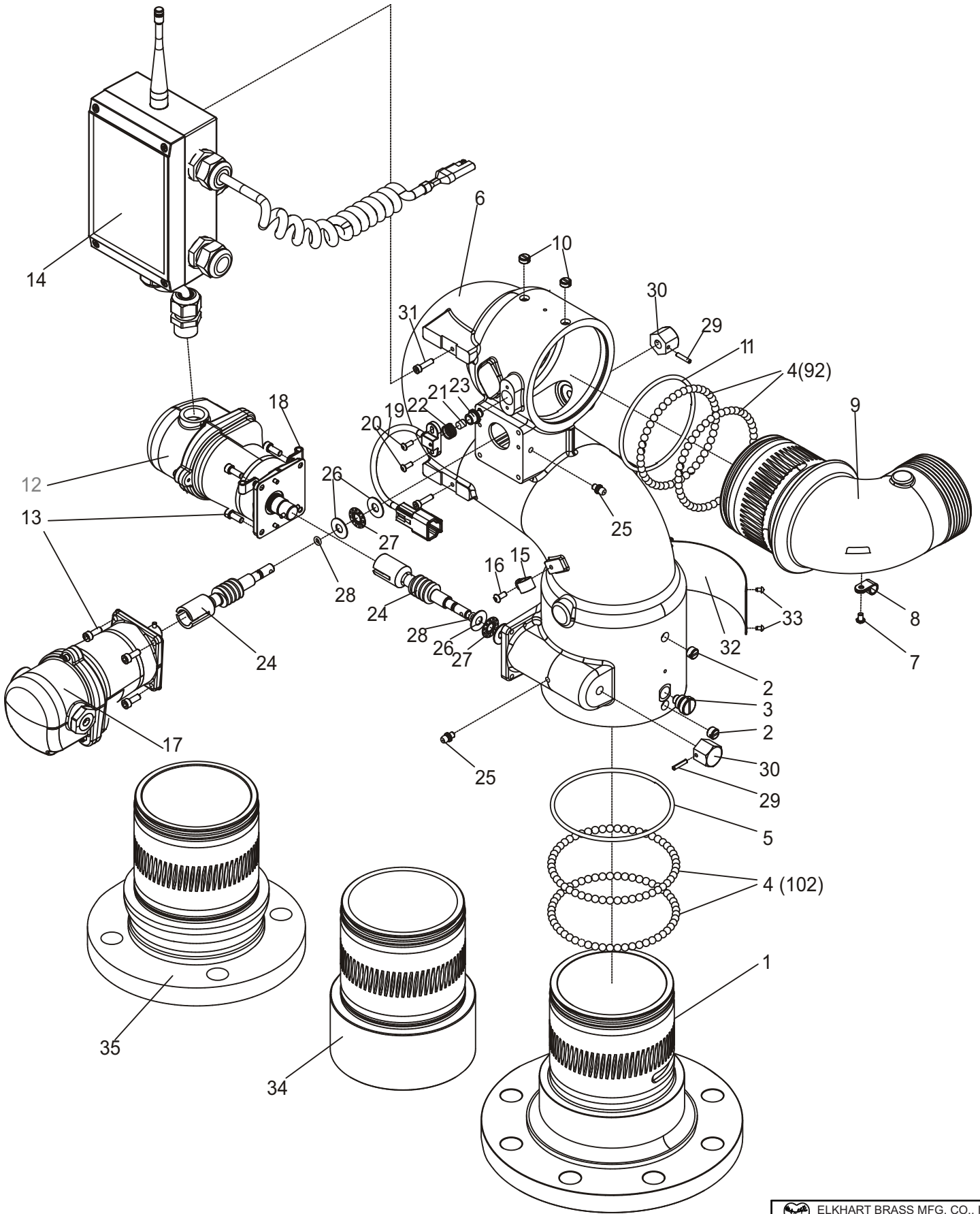
ELKHART BRASS MFG. CO., INC.
ELKHART, INDIANA


THIS DRAWING CONTAINS INFORMATION THAT IS
PROPRIETARY TO ELKHART BRASS MFG. CO., INC.
AND MAY NOT BE USED TO PRODUCE ANY PARTS,
ASSEMBLIES OR PRODUCTS DESCRIBED HEREIN
WITHOUT EXPRESS WRITTEN PERMISSION.

VULCAN RF 8500-01
PAGE 2 OF 4
01/2008

PART
LIST

Call Elkhart Brass for component part numbers of monitors created before 8/2004.





ELKHART BRASS MFG. CO., INC.
 ELKHART, INDIANA

THIS DRAWING CONTAINS INFORMATION THAT IS
 PROPRIETARY TO ELKHART BRASS MFG. CO., INC.
 AND MAY NOT BE USED TO PRODUCE ANY PARTS,
 ASSEMBLIES OR PRODUCTS DESCRIBED HEREIN
 WITHOUT EXPRESS WRITTEN PERMISSION.

VULCAN RF 8500-01 EXT PAGE 3 OF 4 01/2018	PART DRAWING
---	-----------------

VULCAN RF 8500-01 EXT

INDEX #	PART #	QTY	DESCRIPTION
1	17961001	1	Base - 4" 150# Flange
2	63688000	2	Set Screw
3	65073001	1	Screw - Drive Cam
4	15027000	194	.250 S/S Ball
5	57316000	1	O-Ring
6	18212001	1	Inlet Body
7	64086000	1	Button Cap Screw
8	23576000	1	Loop Clamp
9	28139001	1	Discharge Elbow
10	63674000	2	Set Screw
11	57312000	1	O-Ring
12	81478001	1	Electric Motor W/ Encoder
13	64074000	8	Cap Screw
14	81477001	1	Receiver Assembly
15	23580000	1	Loop Clamp
16	61076000	1	Button Cap Screw
17	81279001	1	Electric Motor W/ Encoder
18	23571000	2	Loop Clamp
19	65104000	1	Sensor
20	64073000	2	Button Cap Screw
21	46050000	1	Magnet
22	62150000	1	Spring
23	64057001	1	Safety Interlock Shaft
24	63947000	2	Worm Shaft
25	31011000	2	Grease Fitting
26	71516000	4	Thrust Washer
27	17702000	2	Thrust Bearing
28	57380000	2	O-Ring
29	51248000	2	Roll Pin
30	47652001	2	Override Nut (.750" Hex)
31	65127000	2	Cap Screw
32	44389000	1	Label - Vulcan RF Serial Tag
33	61215100	4	Drive Screw
34	TBD	1 (Opt)	Base - 3" NPT
35	TBD	1 (Opt)	Base - 3" 150# Flange

 ELKHART BRASS MFG. CO., INC. ELKHART, INDIANA	
THIS DRAWING CONTAINS INFORMATION THAT IS PROPRIETARY TO ELKHART BRASS MFG. CO., INC. AND MAY NOT BE USED TO PRODUCE ANY PARTS, ASSEMBLIES OR PRODUCTS DESCRIBED HEREIN WITHOUT EXPRESS WRITTEN PERMISSION.	
VULCAN 8500-01 EXT PAGE 4 OF 4 01/2008	PART LIST