
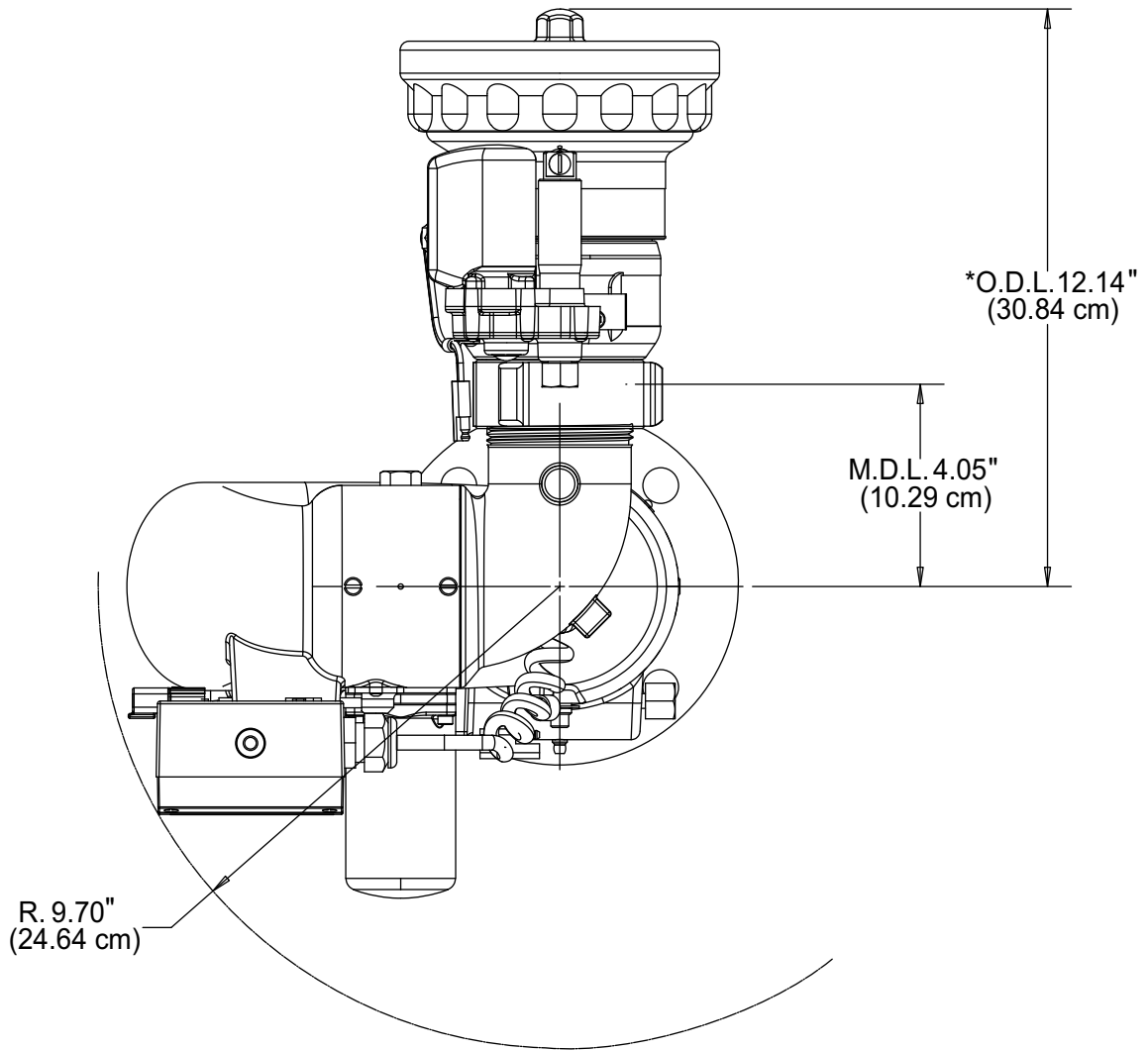


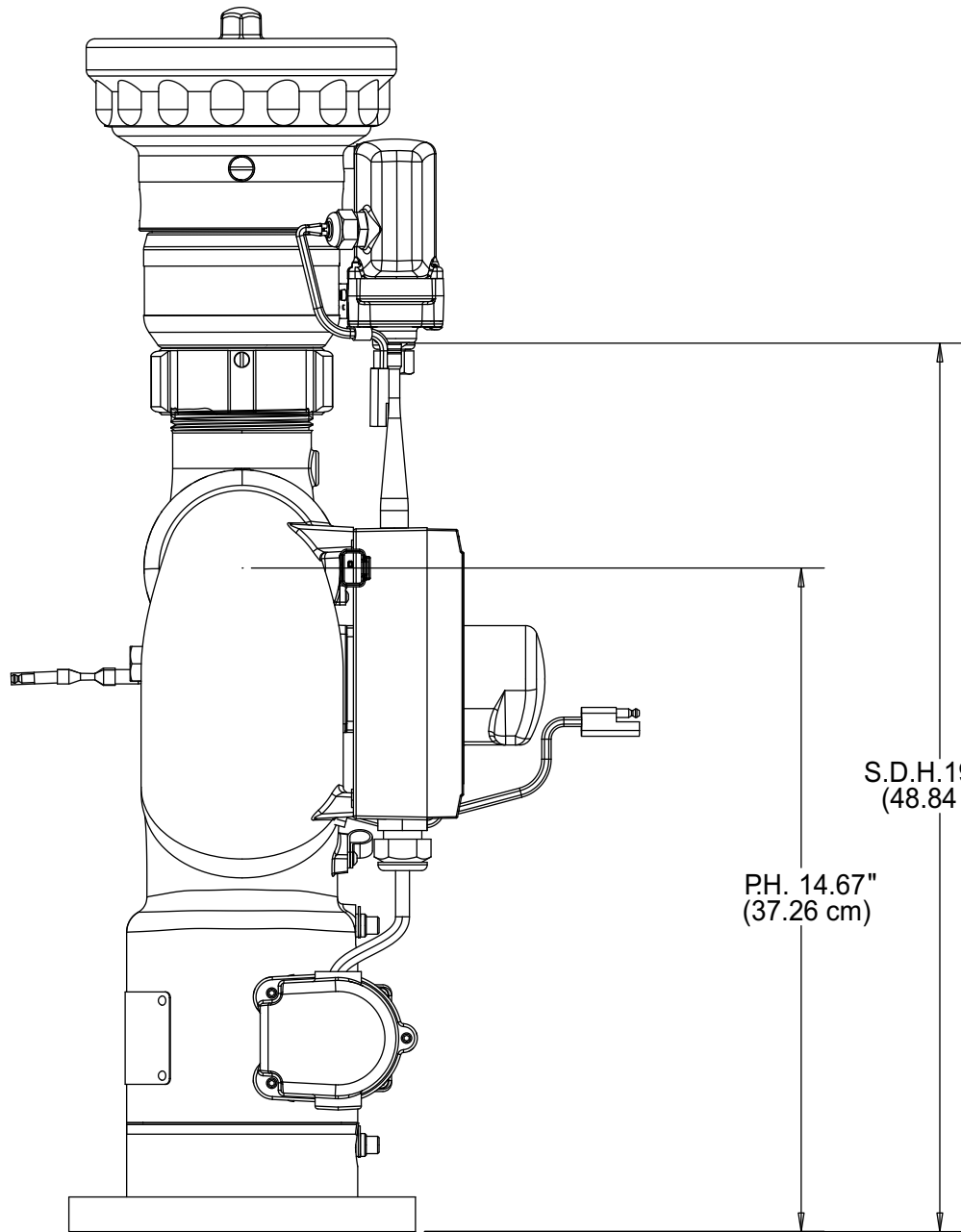
*TYPICAL - SEE INDIVIDUAL NOZZLE DRAWINGS

 ELKHART BRASS MFG. CO., INC. ELKHART, INDIANA	
<small>THIS DRAWING CONTAINS INFORMATION THAT IS PROPRIETARY TO ELKHART BRASS MFG. CO., INC. AND MAY NOT BE USED TO PRODUCE ANY PARTS, ASSEMBLIES OR PRODUCTS DESCRIBED HEREIN WITHOUT EXPRESS WRITTEN PERMISSION.</small>	
<small>VULCAN RF 8500-01 PAGE 2 OF 5 01/2008</small>	<small>BACK VIEW DIMENSIONAL</small>



*TYPICAL - SEE INDIVIDUAL NOZZLE DRAWINGS

	ELKHART BRASS MFG. CO., INC. ELKHART, INDIANA
THIS DRAWING CONTAINS INFORMATION THAT IS PROPRIETARY TO ELKHART BRASS MFG. CO., INC. AND MAY NOT BE USED TO PRODUCE ANY PARTS, ASSEMBLIES OR PRODUCTS DESCRIBED HEREIN WITHOUT EXPRESS WRITTEN PERMISSION.	
VULCAN RF 8500-01 PAGE 3 OF 5 01/2008	TOP VIEW DIMENSIONAL



S.D.H. 19.23"
(48.84 cm)

P.H. 14.67"
(37.26 cm)

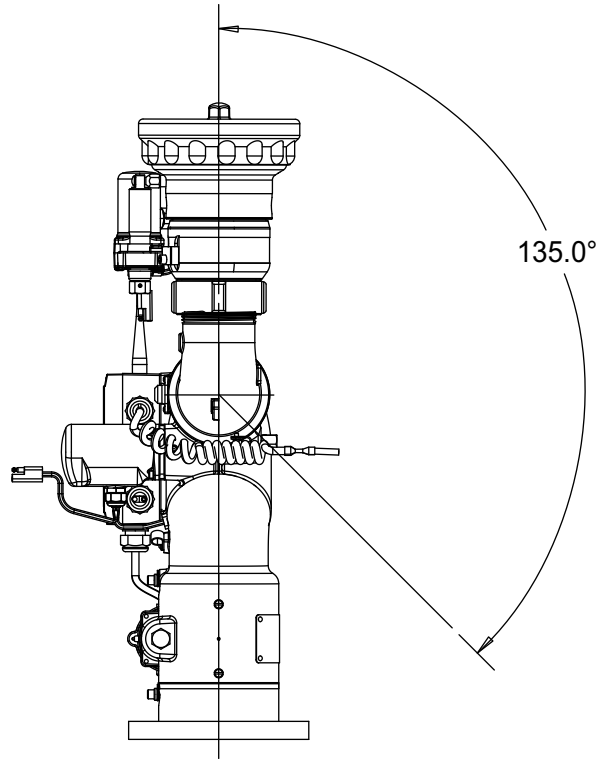


ELKHART BRASS MFG. CO., INC.
ELKHART, INDIANA

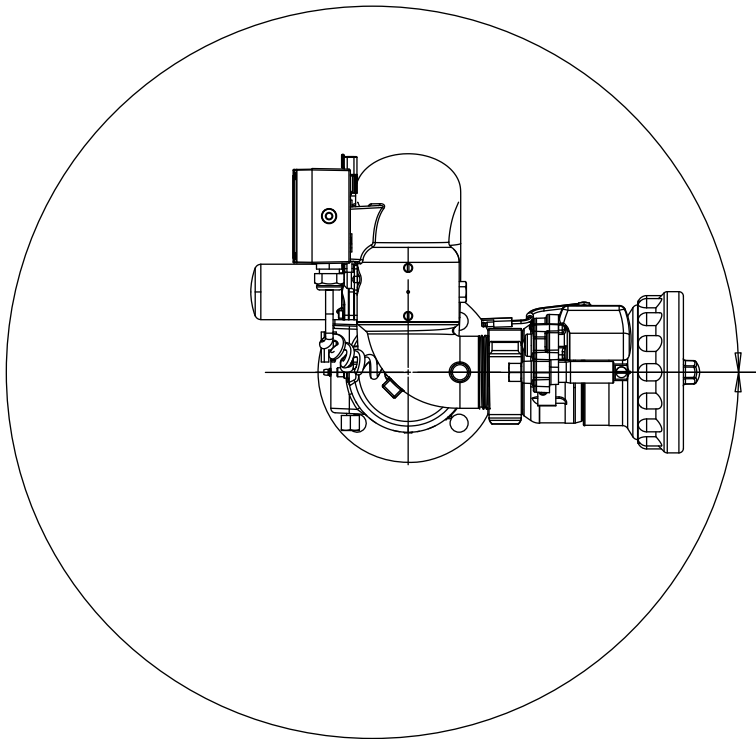
THIS DRAWING CONTAINS INFORMATION THAT IS
PROPRIETARY TO ELKHART BRASS MFG. CO., INC.
AND MAY NOT BE USED TO PRODUCE ANY PARTS,
ASSEMBLIES OR PRODUCTS DESCRIBED HEREIN
WITHOUT EXPRESS WRITTEN PERMISSION.

VULCAN RF 8500-01
PAGE 4 OF 5
01/2008

SIDE VIEW
DIMENSIONAL



135.0°



360.0° UNLIMITED

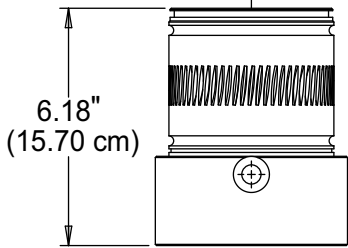
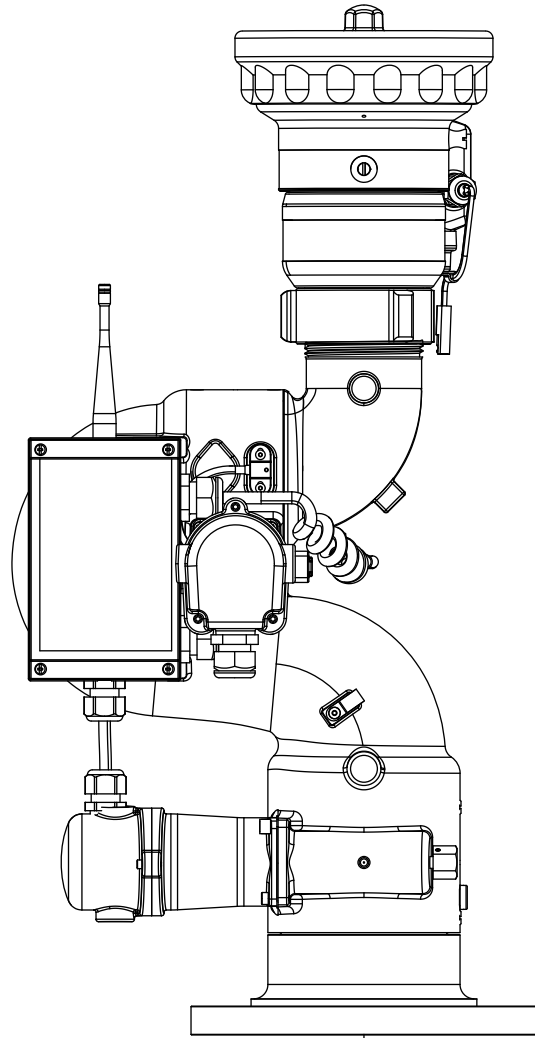


ELKHART BRASS MFG. CO., INC.
ELKHART, INDIANA

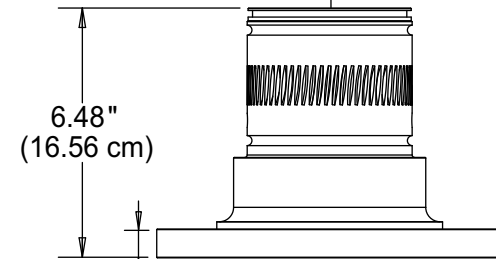
THIS DRAWING CONTAINS INFORMATION THAT IS
PROPRIETARY TO ELKHART BRASS MFG. CO., INC.
AND MAY NOT BE USED TO PRODUCE ANY PARTS,
ASSEMBLIES OR PRODUCTS DESCRIBED HEREIN
WITHOUT EXPRESS WRITTEN PERMISSION.

VULCAN RF 8500-01
PAGE 5 OF 5
01/2008

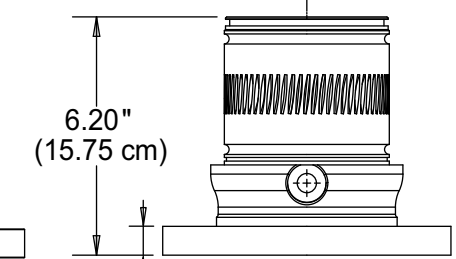
RANGE OF
MOTION




3" NPT

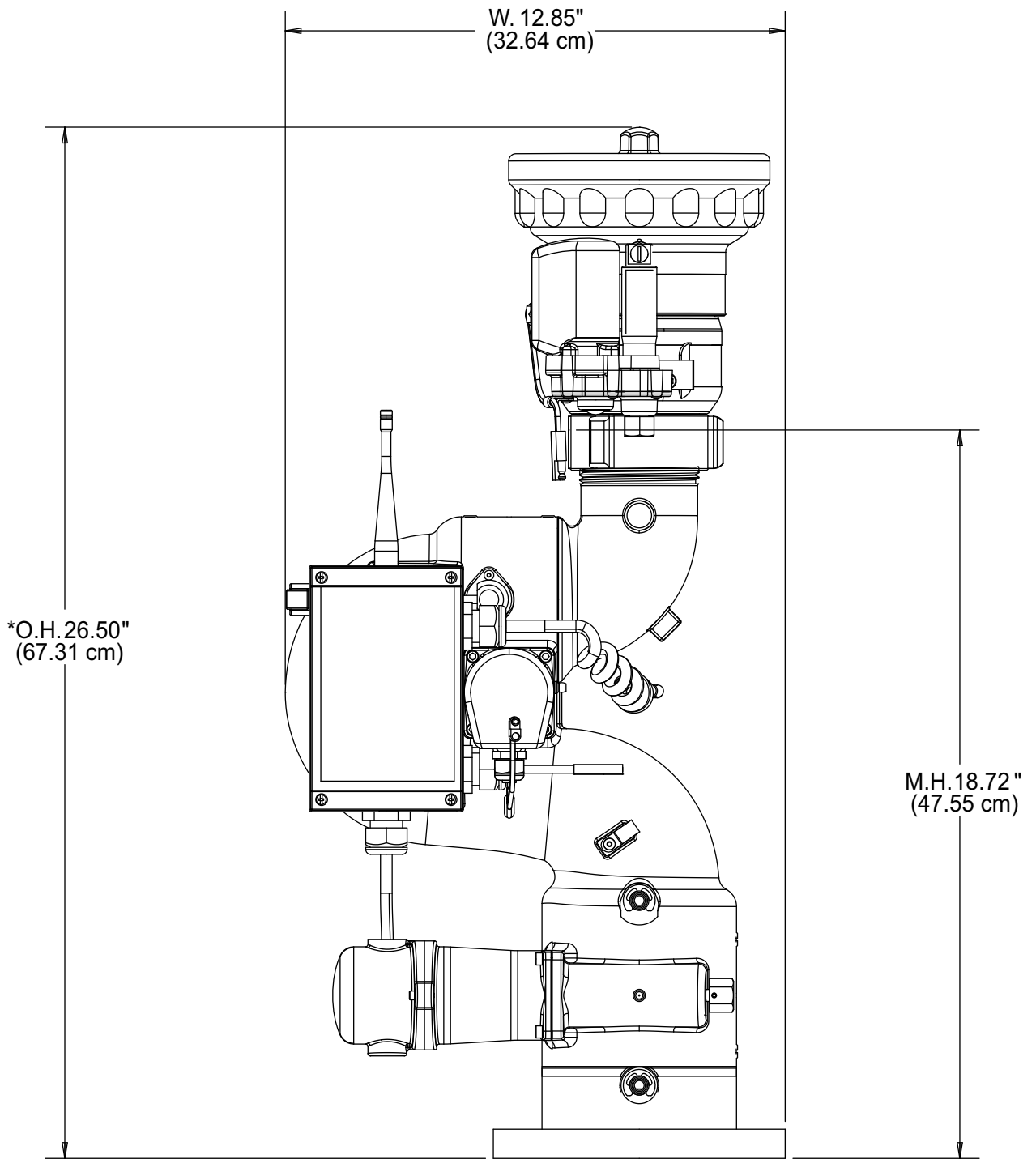


4" 150# FLANGE



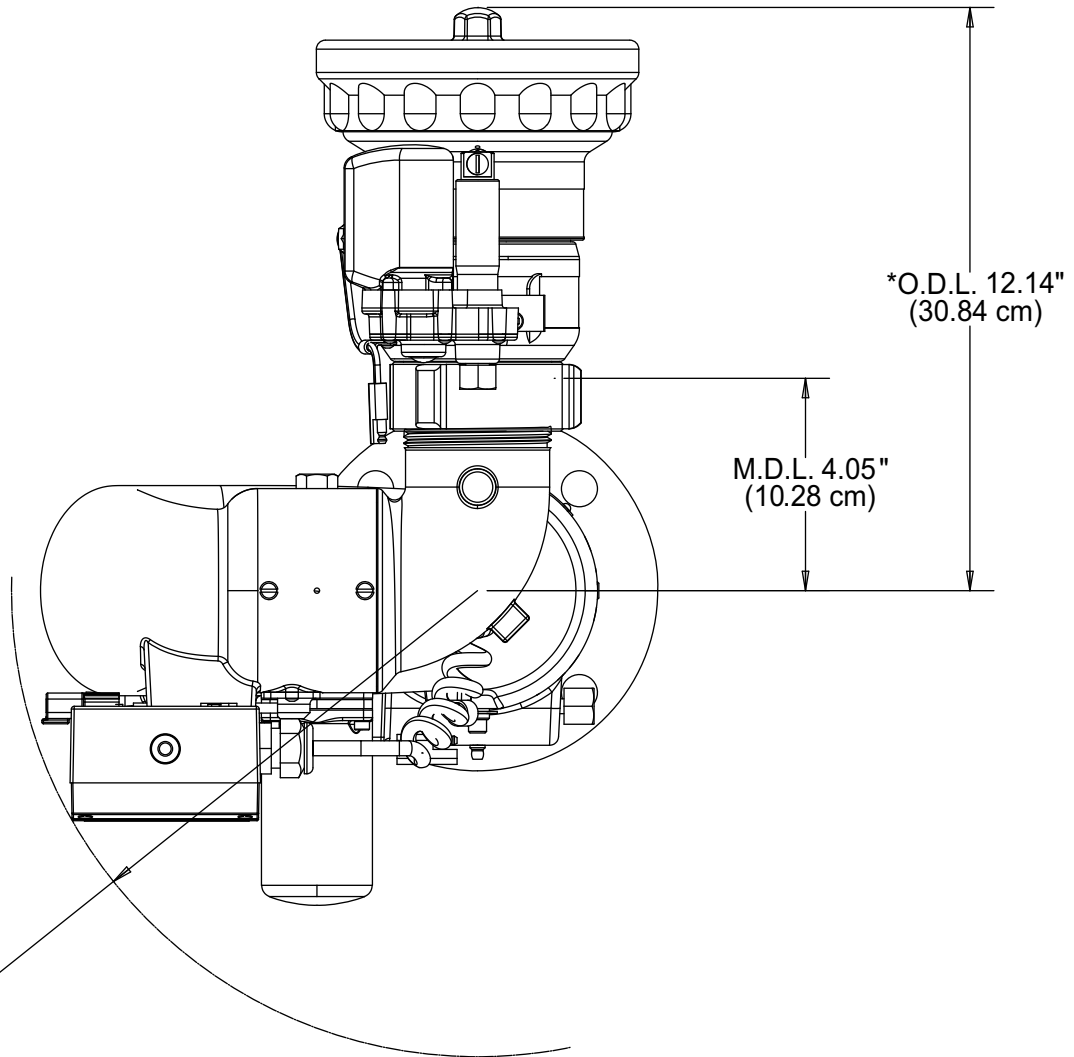
3" 150# FLANGE

	ELKHART BRASS MFG. CO., INC. ELKHART, INDIANA	
	<small>THIS DRAWING CONTAINS INFORMATION THAT IS PROPRIETARY TO ELKHART BRASS MFG. CO., INC. AND MAY NOT BE USED TO PRODUCE ANY PARTS, ASSEMBLIES OR PRODUCTS DESCRIBED HEREIN WITHOUT EXPRESS WRITTEN PERMISSION.</small>	
VULCAN RF 8500-01EXT PAGE 1 OF 5 01/2008	BASE DIMENSIONAL	



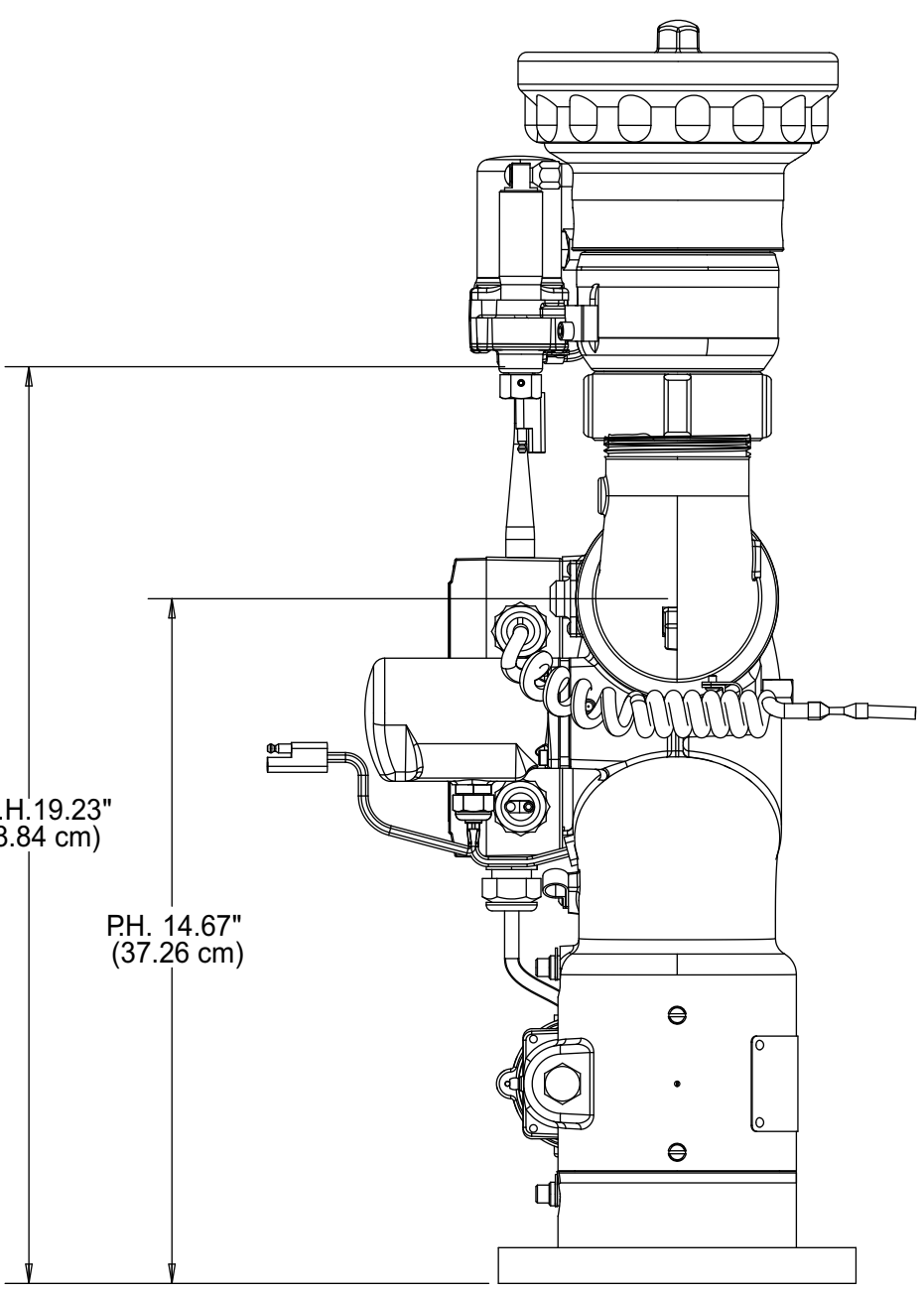
*TYPICAL - SEE INDIVIDUAL NOZZLE DRAWINGS

	ELKHART BRASS MFG. CO., INC. ELKHART, INDIANA
THIS DRAWING CONTAINS INFORMATION THAT IS PROPRIETARY TO ELKHART BRASS MFG. CO., INC. AND MAY NOT BE USED TO PRODUCE ANY PARTS, ASSEMBLIES OR PRODUCTS DESCRIBED HEREIN WITHOUT EXPRESS WRITTEN PERMISSION.	
VULCAN RF 8500-01EXT PAGE 2 OF 5 01/2008	BACK VIEW DIMENSIONAL



*TYPICAL - SEE INDIVIDUAL NOZZLE DRAWINGS

	ELKHART BRASS MFG. CO., INC. ELKHART, INDIANA
<small>THIS DRAWING CONTAINS INFORMATION THAT IS PROPRIETARY TO ELKHART BRASS MFG. CO., INC. AND MAY NOT BE USED TO PRODUCE ANY PARTS, ASSEMBLIES OR PRODUCTS DESCRIBED HEREIN WITHOUT EXPRESS WRITTEN PERMISSION.</small>	
VULCAN RF 8500-01EXT PAGE 3 OF 5 01/2008	TOP VIEW DIMENSIONAL



S.D.H. 19.23"
(48.84 cm)

P.H. 14.67"
(37.26 cm)

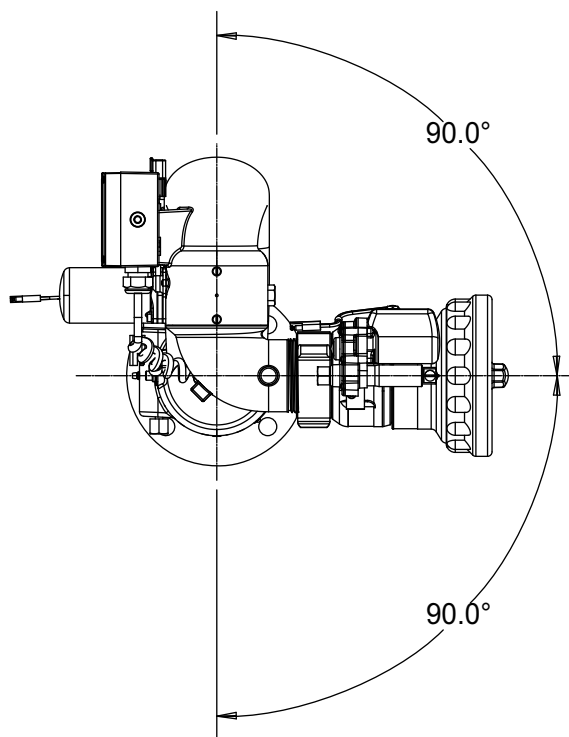
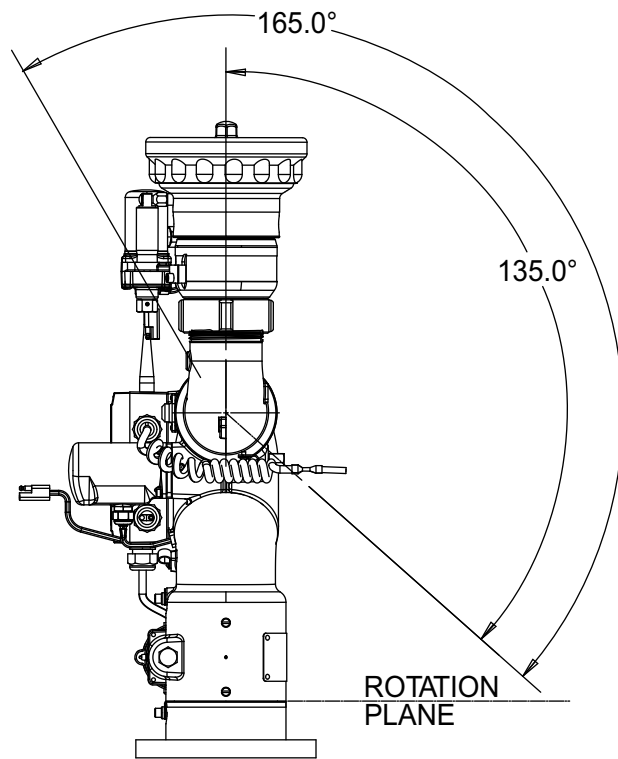



ELKHART BRASS MFG. CO., INC.
ELKHART, INDIANA

THIS DRAWING CONTAINS INFORMATION THAT IS
PROPRIETARY TO ELKHART BRASS MFG. CO., INC.
AND MAY NOT BE USED TO PRODUCE ANY PARTS,
ASSEMBLIES OR PRODUCTS DESCRIBED HEREIN
WITHOUT EXPRESS WRITTEN PERMISSION.

VULCAN RF 8500-01EXT
PAGE 4 OF 5
01/2008

SIDE VIEW
DIMENSIONAL



 ELKHART BRASS MFG. CO., INC. ELKHART, INDIANA	
<small>THIS DRAWING CONTAINS INFORMATION THAT IS PROPRIETARY TO ELKHART BRASS MFG. CO., INC. AND MAY NOT BE USED TO PRODUCE ANY PARTS, ASSEMBLIES OR PRODUCTS DESCRIBED HEREIN WITHOUT EXPRESS WRITTEN PERMISSION.</small>	
VULCAN RF 8500-01EXT PAGE 5 OF 5 06/2012	RANGE OF MOTION

DIMENSIONAL ABBREVIATION KEY*

ABBREVIATION	DESCRIPTION
D.L.	Discharge Length
H.H.	Handle Height
H.S.R.	Handle Swing Radius
M.D.L.	Monitor Discharge Length
M.H.	Monitor Height
O.D.L.	Overall Discharge Length
O.H.	Overall Height
O.L.	Overall Length
P.H.	Pivot Height
P.R.	Pivot Radius
R.	Radius
S.D.H.	Stow Down Height
W.	Width

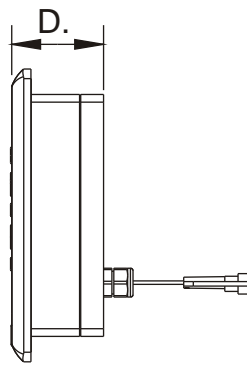
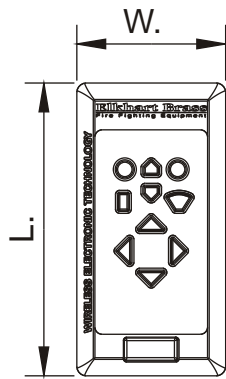
*Not all abbreviations will be used on every drawing



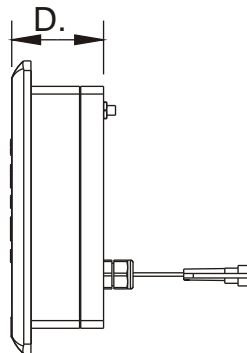
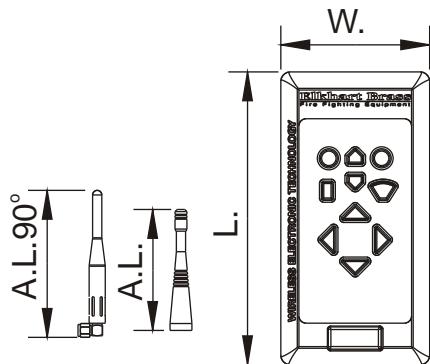
ELKHART BRASS MFG. CO., INC.
ELKHART, INDIANA

THIS DRAWING CONTAINS INFORMATION THAT IS
PROPRIETARY TO ELKHART BRASS MFG. CO., INC.
AND MAY NOT BE USED TO PRODUCE ANY PARTS,
ASSEMBLIES OR PRODUCTS DESCRIBED HEREIN
WITHOUT EXPRESS WRITTEN PERMISSION.

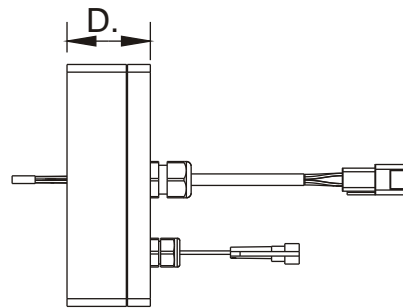
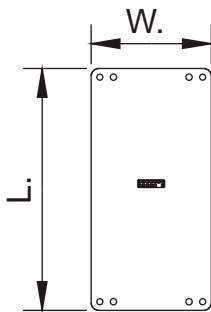
DIMENSIONAL
KEY
2/2008



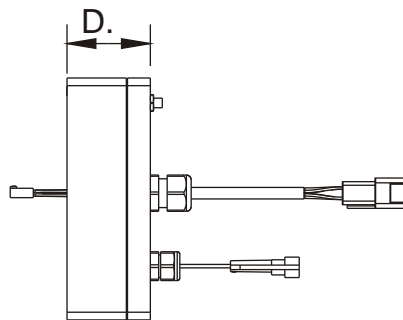
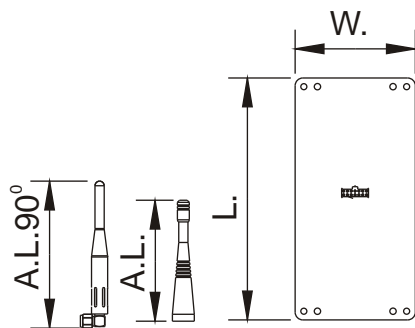
PANEL MOUNT
TRANSMITTER



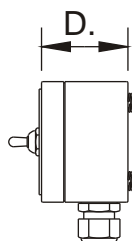
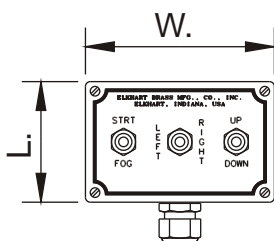
PANEL MOUNT AERIAL
TRANSMITTER




OEM
TRANSMITTER



OEM AERIAL
TRANSMITTER



SWITCH BOX

 ELKHART BRASS MFG. CO., INC. ELKHART, INDIANA	
<small>THIS DRAWING CONTAINS INFORMATION THAT IS PROPRIETARY TO ELKHART BRASS MFG. CO., INC. AND MAY NOT BE USED TO PRODUCE ANY PARTS, ASSEMBLIES OR PRODUCTS DESCRIBED HEREIN WITHOUT EXPRESS WRITTEN PERMISSION.</small>	
<small>VULCAN RF CONTROLS PAGE 1 OF 2 06/2008</small>	<small>DIMENSIONAL DRAWING</small>

**VULCAN RF CONTROLS
DIMENSIONAL TABLE**

(In Inches)

MODEL	LENGTH	DEPTH	WIDTH	A.L.90°	A.L.
PANEL MOUNT TRANSMITTER	7.625	2.391	3.875		
PANEL MOUNT AERIAL TRANSMITTER	7.625	2.391	3.875	3.828	3.150
OEM TRANSMITTER	6.300	2.170	3.130		
OEM AERIAL TRANSMITTER	6.300	2.170	3.130	3.828	3.150
SWITCH BOX	3.140	2.250	4.920		



ELKHART BRASS MFG. CO., INC.
ELKHART, INDIANA

THIS DRAWING CONTAINS INFORMATION THAT IS
PROPRIETARY TO ELKHART BRASS MFG. CO., INC.
AND MAY NOT BE USED TO PRODUCE ANY PARTS,
ASSEMBLIES OR PRODUCTS DESCRIBED HEREIN
WITHOUT EXPRESS WRITTEN PERMISSION.

VULCAN RF CONTROLS
PAGE 2 OF 2
06/2008

DIMENSIONAL
TABLE