

## VULCAN 8500-02

INDEX #	PART #	QTY	DESCRIPTION
1	17906001	1	Inlet Body
2	63674000	2	Set Screw
3	31011000	2	Grease Fitting
4	63689000	2	Set Screw
5	57312000	1	O-Ring
6	15027000	2 x 46	0.250 Dia Ball S/S
7	23544000	1	Cover - Pressure Gauge
8	39130000	1	Pressure Gauge
9	28135001	1	Discharge Elbow
10	80799101	2	Lock Sub-Assy
11	57316000	1	O-Ring
12	15027000	2 x 51	0.250 Dia Ball S/S
13	15616001	1	Base - 3.0" 150# Flange
14	17952001	1 (Opt)	Base - 4.0" 150# Flange
15	15620001	1 (Opt)	Base - 3.0" NPT
16	61215100	4	Drive Screw
17	44378000	1	Label/Serial No. Tag
18	63688000	2	Set Screw
19	65363001	1	Handle Shaft
20	33645000	1	Hand Grip

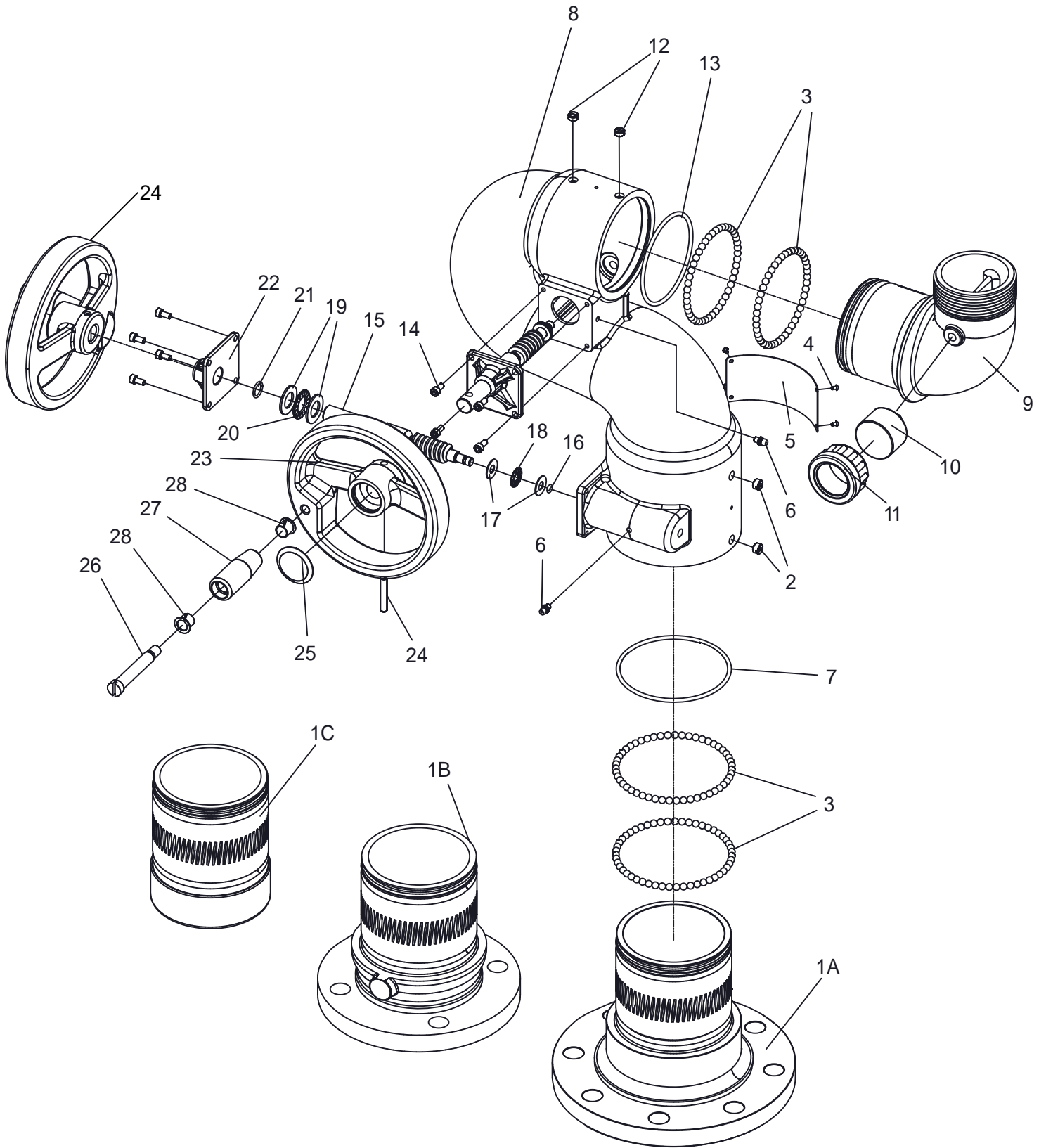


ELKHART BRASS MFG. CO., INC.  
ELKHART, INDIANA

THIS DRAWING CONTAINS INFORMATION THAT IS  
PROPRIETARY TO ELKHART BRASS MFG. CO., INC.  
AND MAY NOT BE USED TO PRODUCE ANY PARTS,  
ASSEMBLIES OR PRODUCTS DESCRIBED HEREIN  
WITHOUT EXPRESS WRITTEN PERMISSION.

VULCAN 8500-02  
PAGE 2 OF 6  
04/2014

PART  
LIST



## VULCAN 8500-03

INDEX #	PART #	QTY	DESCRIPTION
1A	17962001	1 (Opt)	BASE - 4" 150# Flange
1B	17966001	1	BASE - 3" 150# Flange
1C	17970001	1 (Opt)	BASE - 3" NPT
2	63688000	2	SET SCREW
3	15027000	194	BALL BEARINGS
4	61215100	4	SCREW
5	44540000	1	LABEL/SERIAL TAG
6	31011000	2	GREASE FITTING
7	57316000	1	O-RING
8	18213001	1	INLET BODY
9	28140001	1	DISCHARGE ELBOW
10	39130000	1	PRESSURE GAUGE
11	23544000	1	GAUGE COVER
12	63674000	2	SET SCREW
13	57312000	1	O-RING
14	63795000	8	SET SCREW
15	65655001	2	WORM SHAFT
16	57380000	2	O-RING
17	71516000	4	THRUST WASHER
18	17702000	2	THRUST BEARING
19	71513000	4	THRUST WASHER
20	15699000	2	THRUST BEARING
21	57321000	2	O-RING
22	10465001	2	FLANGED ADAPTER
23	51240000	2	ROLL PIN
24	71235101	2	HAND WHEEL
25	52018000	2	CAP PLUG
26	16436001	2	SWIVEL BOLT
27	36703101	2	SPINNER HANDLE
28	16687000	4	SPINNER BUSHING

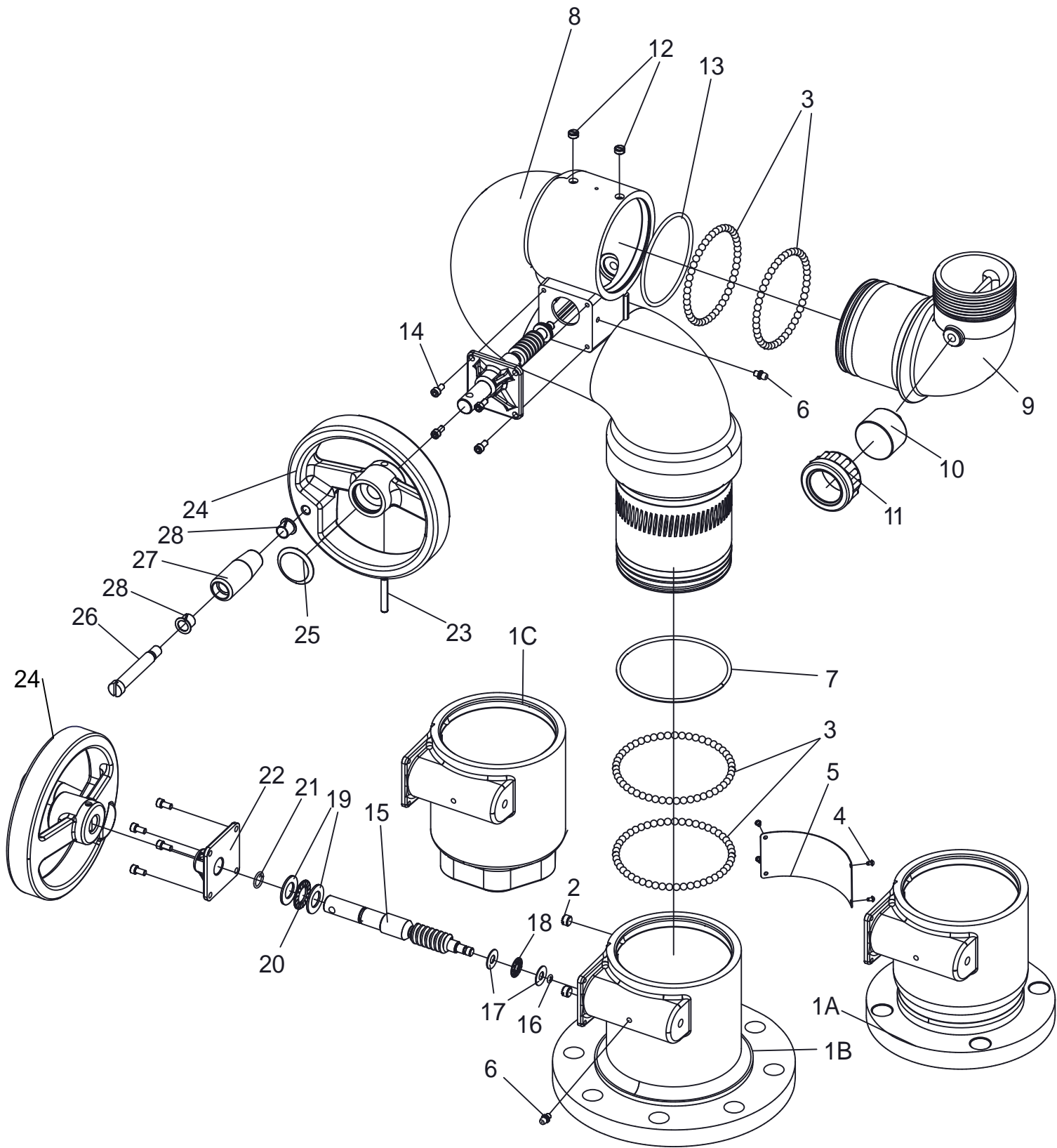



ELKHART BRASS MFG. CO., INC.  
ELKHART, INDIANA

THIS DRAWING CONTAINS INFORMATION THAT IS  
PROPRIETARY TO ELKHART BRASS MFG. CO., INC.  
AND MAY NOT BE USED TO PRODUCE ANY PARTS,  
ASSEMBLIES OR PRODUCTS DESCRIBED HEREIN  
WITHOUT EXPRESS WRITTEN PERMISSION.

VULCAN 8500-03  
PAGE 4 OF 6  
12/2007

PART  
LIST




**ELKHART BRASS MFG. CO., INC.**  
 ELKHART, INDIANA  
 THIS DRAWING CONTAINS INFORMATION THAT IS PROPRIETARY TO ELKHART BRASS MFG. CO., INC. AND MAY NOT BE USED TO PRODUCE ANY PARTS, ASSEMBLIES OR PRODUCTS DESCRIBED HEREIN WITHOUT EXPRESS WRITTEN PERMISSION.  
 VULCAN 8500-03X  
 PAGE 5 OF 6  
 12/2007

PART DRAWING

## VULCAN 8500-03X

INDEX #	PART #	QTY	DESCRIPTION
1A	17967001	1	BASE - 3" 150# Flange
1B	17963001	1 (Opt)	BASE - 4" 150# Flange
1C	17971001	1 (Opt)	BASE - 3" NPT
2	63688000	2	SET SCREW
3	15027000	194	BALL BEARINGS
4	61215100	4	SCREW
5	44541000	1	LABEL/SERIAL TAG
6	31011000	2	GREASE FITTING
7	57316000	1	O-RING
8	81483001	1	INLET BODY
9	28140001	1	DISCHARGE ELBOW
10	39130000	1	PRESSURE GAUGE
11	23544000	1	GAUGE COVER
12	63674000	2	SET SCREW
13	57312000	1	O-RING
14	63795000	8	SET SCREW
15	65655001	2	WORM SHAFT
16	57380000	2	O-RING
17	71516000	4	THRUST WASHER
18	17702000	2	THRUST BEARING
19	71513000	4	THRUST WASHER
20	15699000	2	THRUST BEARING
21	57321000	2	O-RING
22	10465001	2	FLANGED ADAPTER
23	51240000	2	ROLL PIN
24	71235101	2	HAND WHEEL
25	52018000	2	CAP PLUG
26	16436001	2	SWIVEL BOLT
27	36703101	2	SPINNER HANDLE
28	16687000	4	SPINNER BUSHING



ELKHART BRASS MFG. CO., INC.  
ELKHART, INDIANA

THIS DRAWING CONTAINS INFORMATION THAT IS  
PROPRIETARY TO ELKHART BRASS MFG. CO., INC.  
AND MAY NOT BE USED TO PRODUCE ANY PARTS,  
ASSEMBLIES OR PRODUCTS DESCRIBED HEREIN  
WITHOUT EXPRESS WRITTEN PERMISSION.

VULCAN 8500-03X  
PAGE 6 OF 6  
12/2007

PART  
LIST