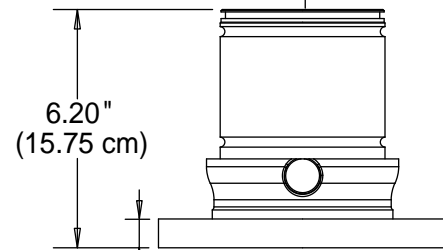
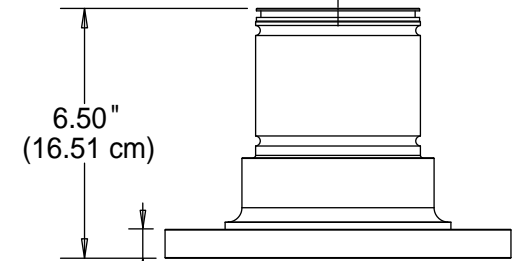


3" NPT



3" 150# FLANGE



4" 150# FLANGE

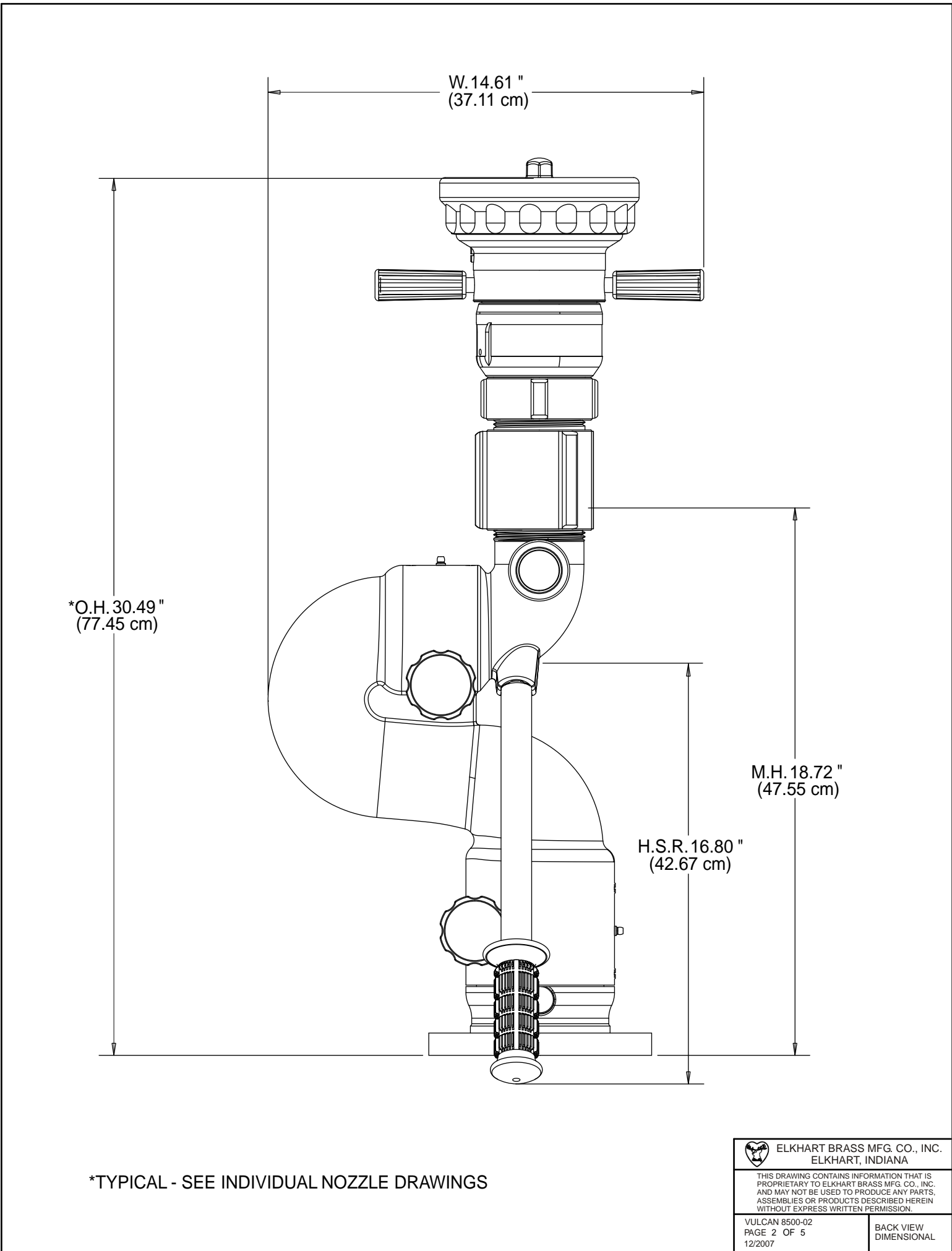


ELKHART BRASS MFG. CO., INC.
ELKHART, INDIANA


THIS DRAWING CONTAINS INFORMATION THAT IS PROPRIETARY TO ELKHART BRASS MFG. CO., INC. AND MAY NOT BE USED TO PRODUCE ANY PARTS, ASSEMBLIES OR PRODUCTS DESCRIBED HEREIN WITHOUT EXPRESS WRITTEN PERMISSION.

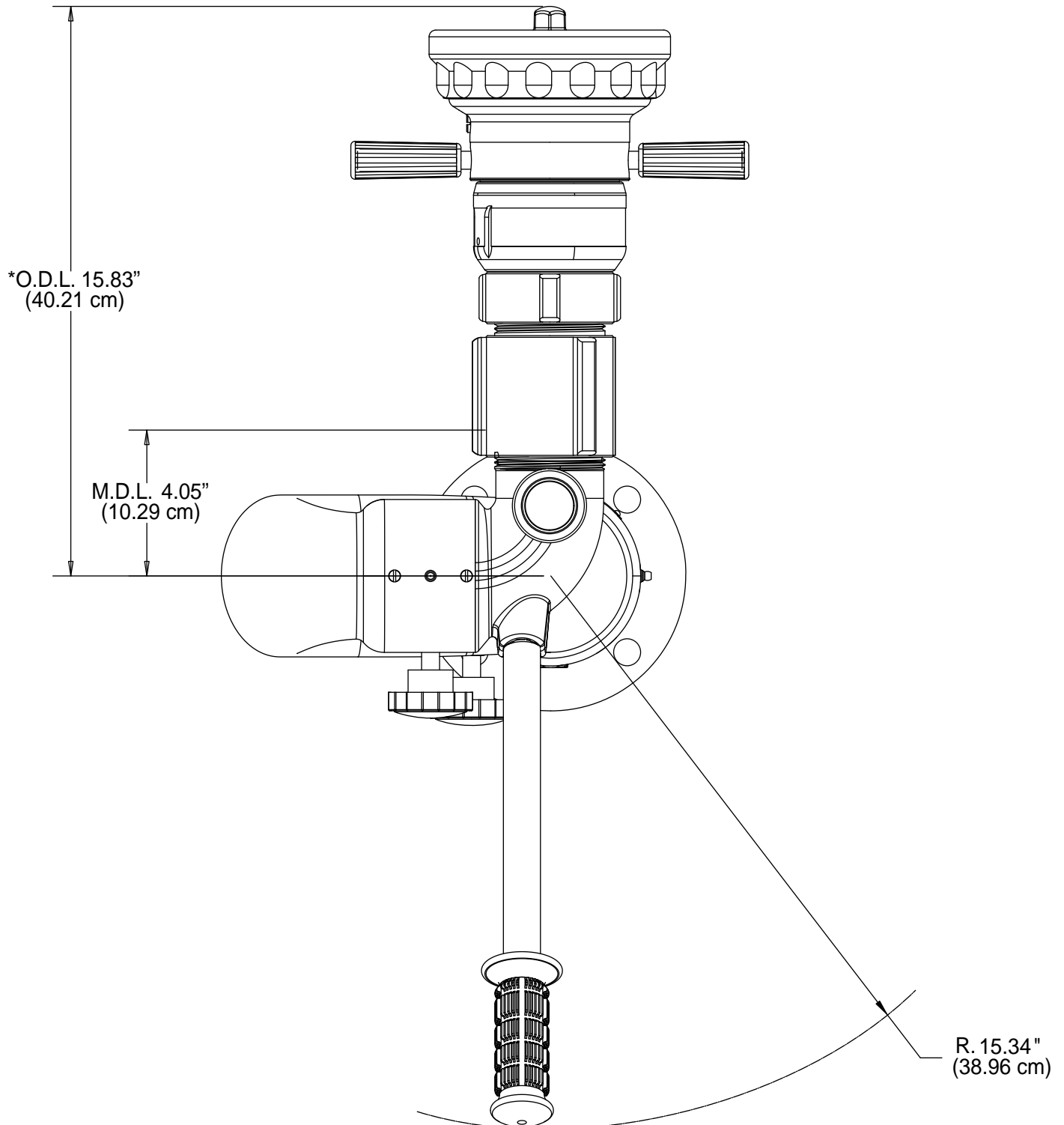
VULCAN 8500-02
PAGE 1 OF 5
12/2007

BASE
DIMENSIONAL




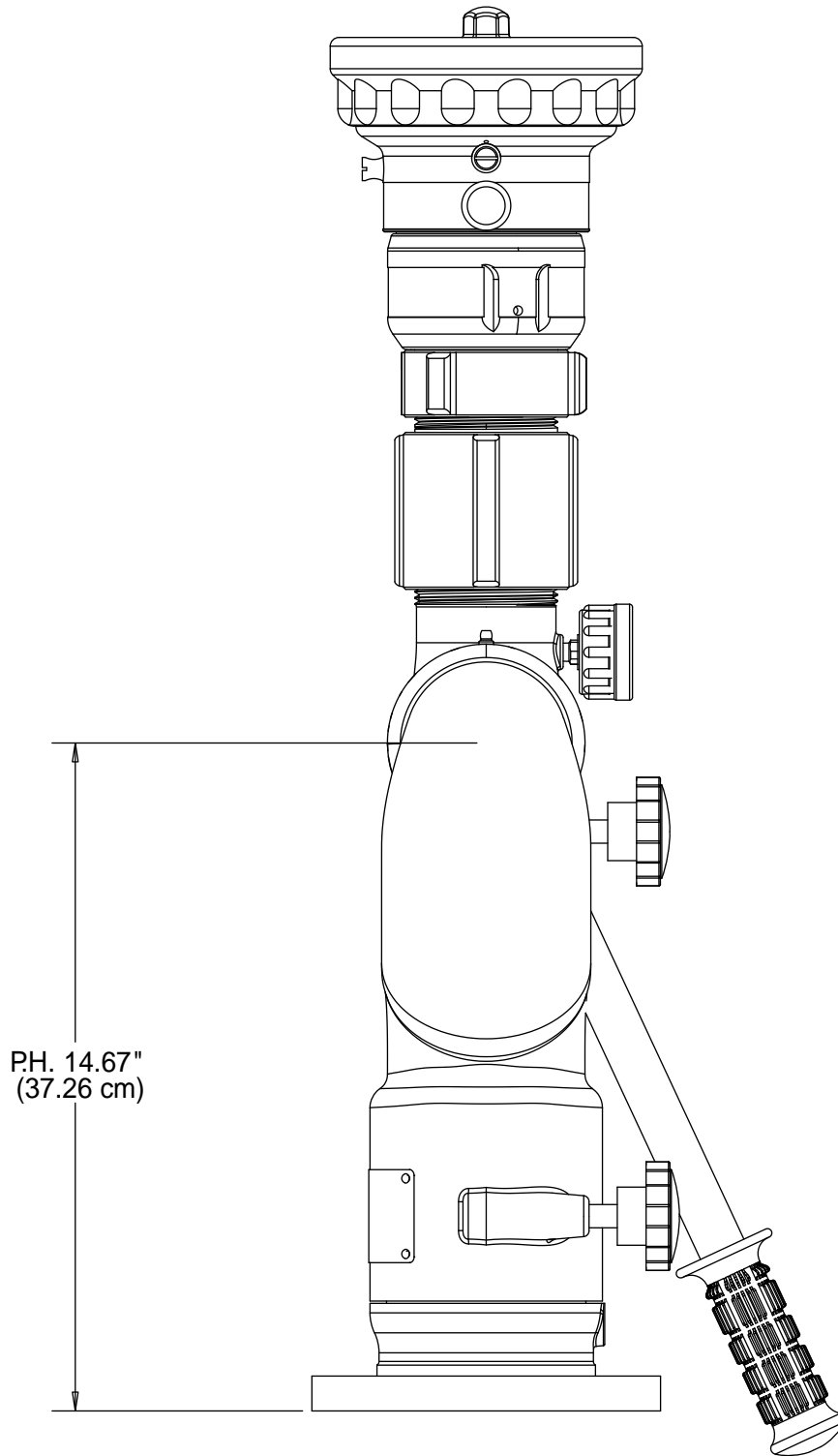
*TYPICAL - SEE INDIVIDUAL NOZZLE DRAWINGS

	ELKHART BRASS MFG. CO., INC. ELKHART, INDIANA
	THIS DRAWING CONTAINS INFORMATION THAT IS PROPRIETARY TO ELKHART BRASS MFG. CO., INC. AND MAY NOT BE USED TO PRODUCE ANY PARTS, ASSEMBLIES OR PRODUCTS DESCRIBED HEREIN WITHOUT EXPRESS WRITTEN PERMISSION.
VULCAN 8500-02 PAGE 2 OF 5 12/2007	BACK VIEW DIMENSIONAL



*TYPICAL - SEE INDIVIDUAL NOZZLE DRAWINGS

	ELKHART BRASS MFG. CO., INC. ELKHART, INDIANA	
	<small>THIS DRAWING CONTAINS INFORMATION THAT IS PROPRIETARY TO ELKHART BRASS MFG. CO., INC. AND MAY NOT BE USED TO PRODUCE ANY PARTS, ASSEMBLIES OR PRODUCTS DESCRIBED HEREIN WITHOUT EXPRESS WRITTEN PERMISSION.</small>	
VULCAN 8500-02 PAGE 3 OF 5 12/2007	TOP VIEW DIMENSIONAL	



P.H. 14.67"
(37.26 cm)

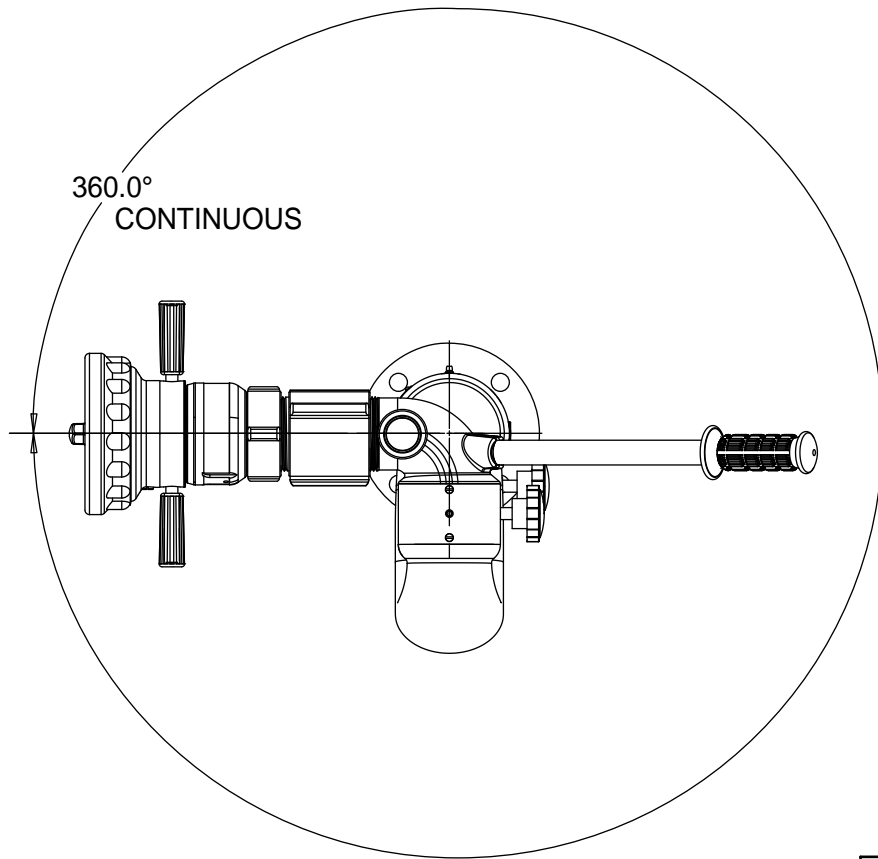
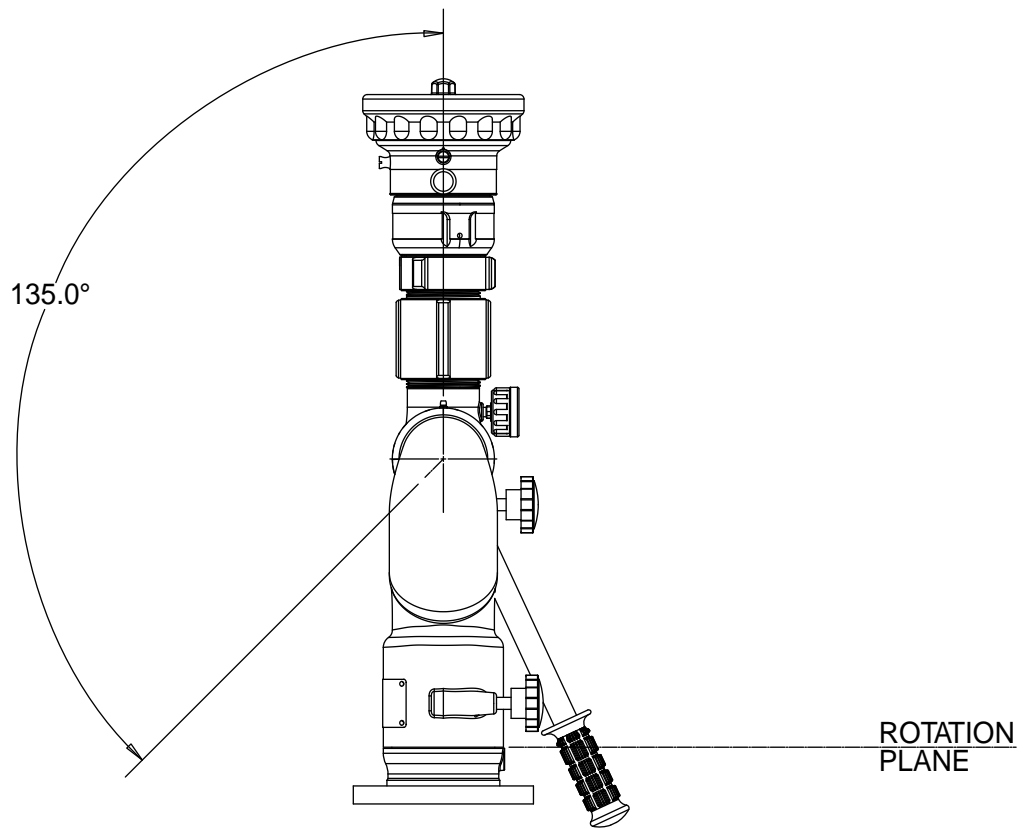



ELKHART BRASS MFG. CO., INC.
ELKHART, INDIANA

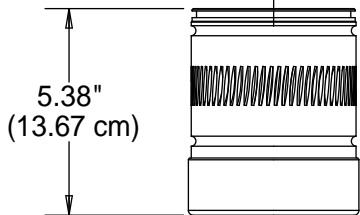
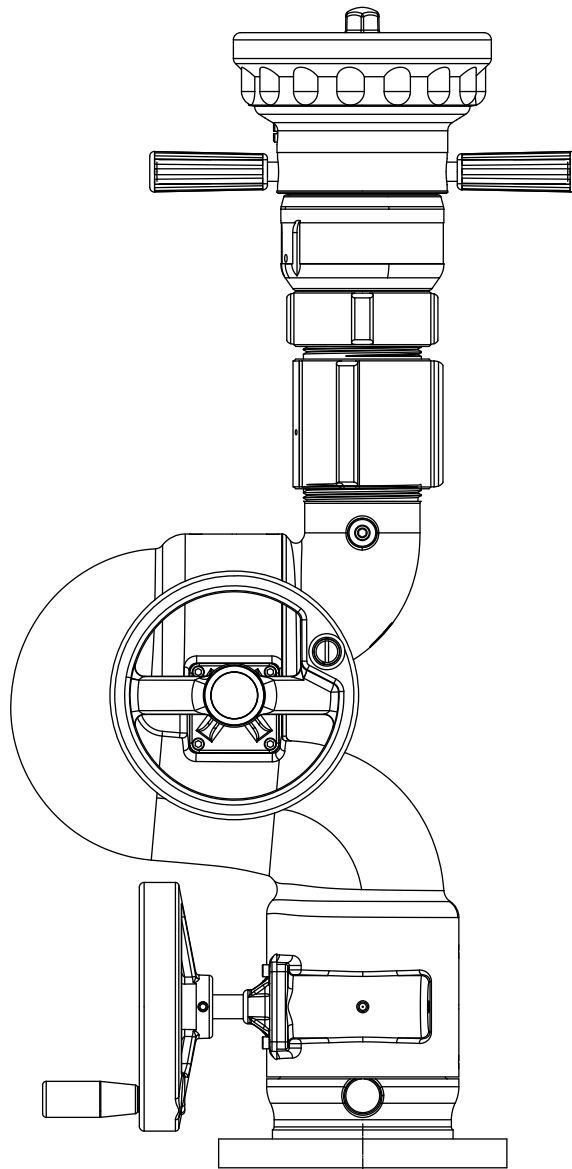
THIS DRAWING CONTAINS INFORMATION THAT IS
PROPRIETARY TO ELKHART BRASS MFG. CO., INC.
AND MAY NOT BE USED TO PRODUCE ANY PARTS,
ASSEMBLIES OR PRODUCTS DESCRIBED HEREIN
WITHOUT EXPRESS WRITTEN PERMISSION.

VULCAN 8500-02
PAGE 4 OF 5
12/2007

SIDE VIEW
DIMENSIONAL

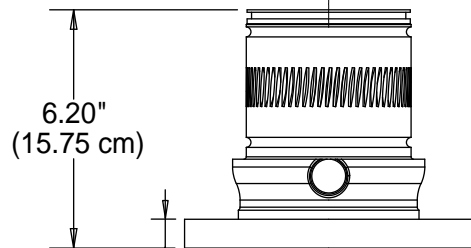


 ELKHART BRASS MFG. CO., INC. ELKHART, INDIANA	
<small>THIS DRAWING CONTAINS INFORMATION THAT IS PROPRIETARY TO ELKHART BRASS MFG. CO., INC. AND MAY NOT BE USED TO PRODUCE ANY PARTS, ASSEMBLIES OR PRODUCTS DESCRIBED HEREIN WITHOUT EXPRESS WRITTEN PERMISSION.</small>	
<small>VULCAN 8500-02 PAGE 5 OF 5 12/2007</small>	<small>RANGE OF MOTION</small>



5.38"
(13.67 cm)

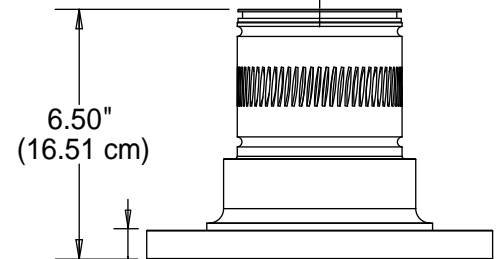
3" NPT



6.20"
(15.75 cm)

0.75"
(1.91 cm)

3" 150# FLANGE



6.50"
(16.51 cm)

0.75"
(1.91 cm)

4" 150# FLANGE

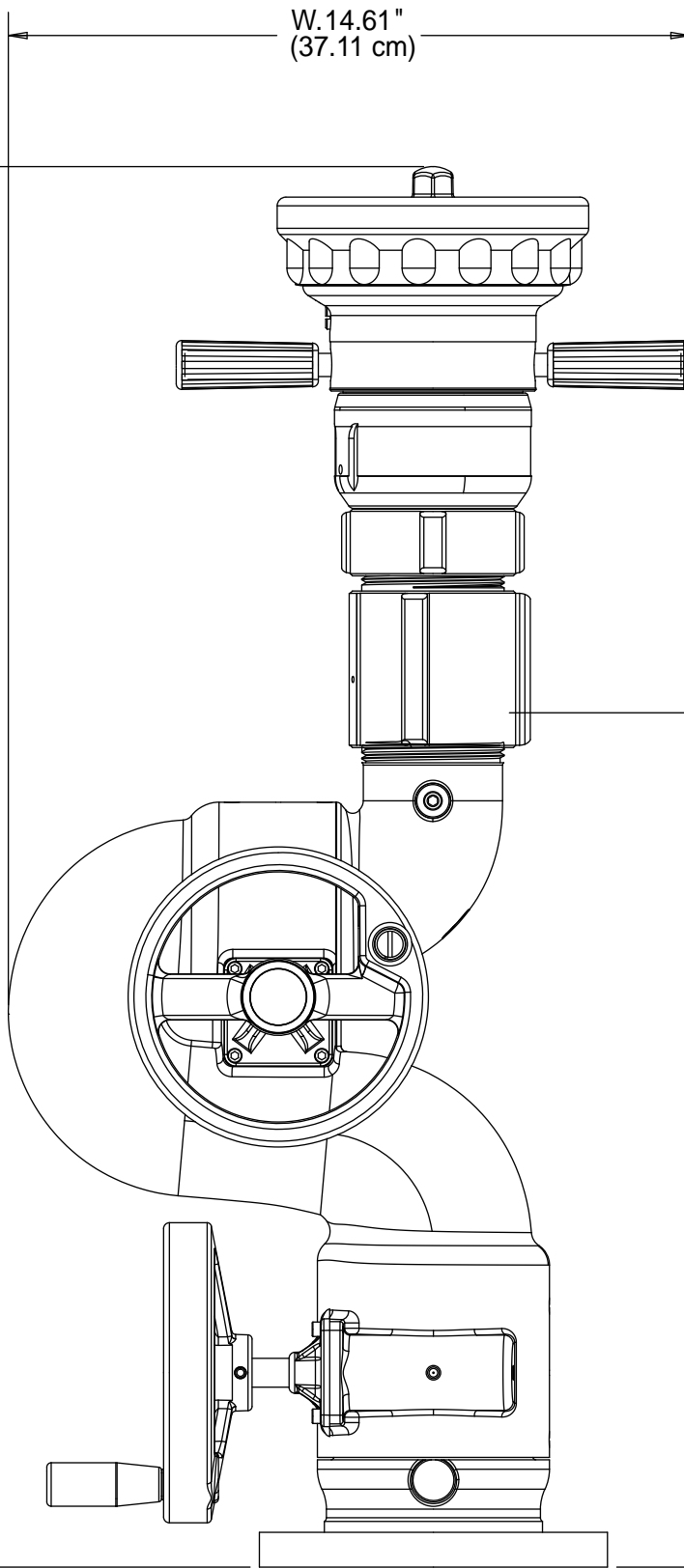


ELKHART BRASS MFG. CO., INC.
ELKHART, INDIANA

THIS DRAWING CONTAINS INFORMATION THAT IS
PROPRIETARY TO ELKHART BRASS MFG. CO., INC.
AND MAY NOT BE USED TO PRODUCE ANY PARTS,
ASSEMBLIES OR PRODUCTS DESCRIBED HEREIN
WITHOUT EXPRESS WRITTEN PERMISSION.

VULCAN 8500-03
PAGE 1 OF 5
12/2007

BASE
DIMENSIONAL



W. 14.61"
(37.11 cm)

*O.H. 30.49"
(77.45 cm)

M.H. 18.72"
(47.55 cm)

*TYPICAL - SEE INDIVIDUAL NOZZLE DRAWINGS

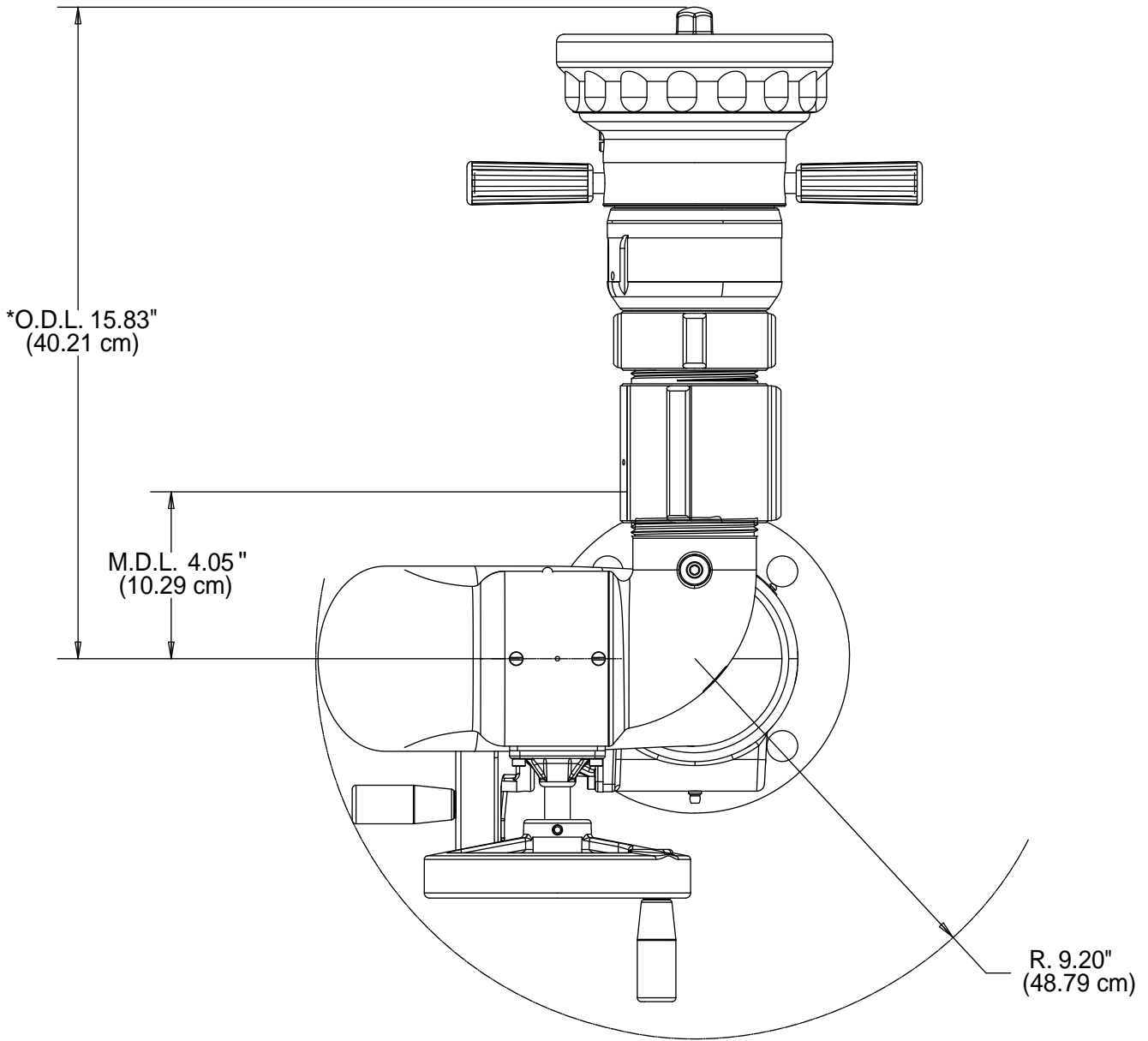


ELKHART BRASS MFG. CO., INC.
ELKHART, INDIANA


THIS DRAWING CONTAINS INFORMATION THAT IS
PROPRIETARY TO ELKHART BRASS MFG. CO., INC.
AND MAY NOT BE USED TO PRODUCE ANY PARTS,
ASSEMBLIES OR PRODUCTS DESCRIBED HEREIN
WITHOUT EXPRESS WRITTEN PERMISSION.

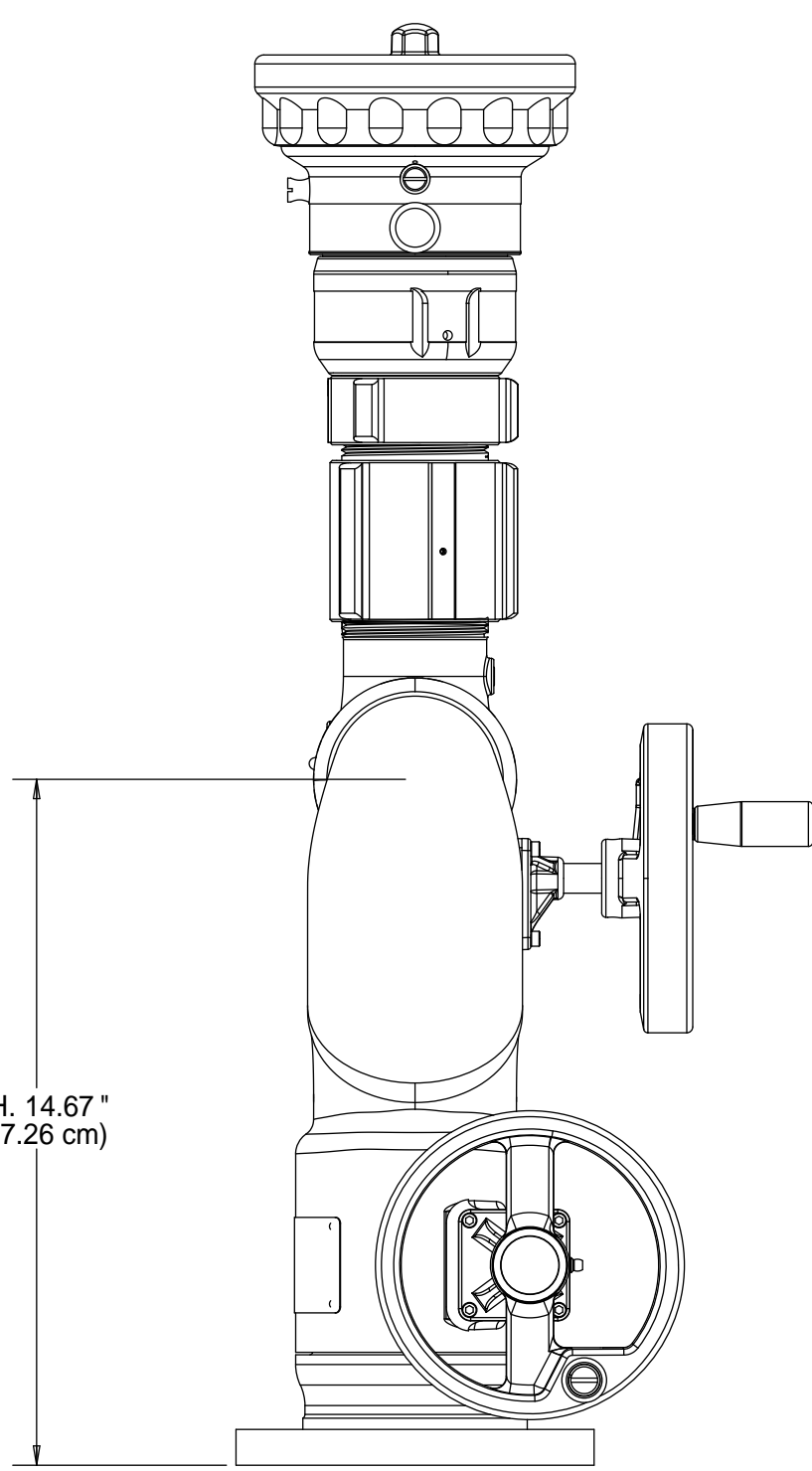
VULCAN 8500-03
PAGE 2 OF 5
12/2007

BACK VIEW
DIMENSIONAL

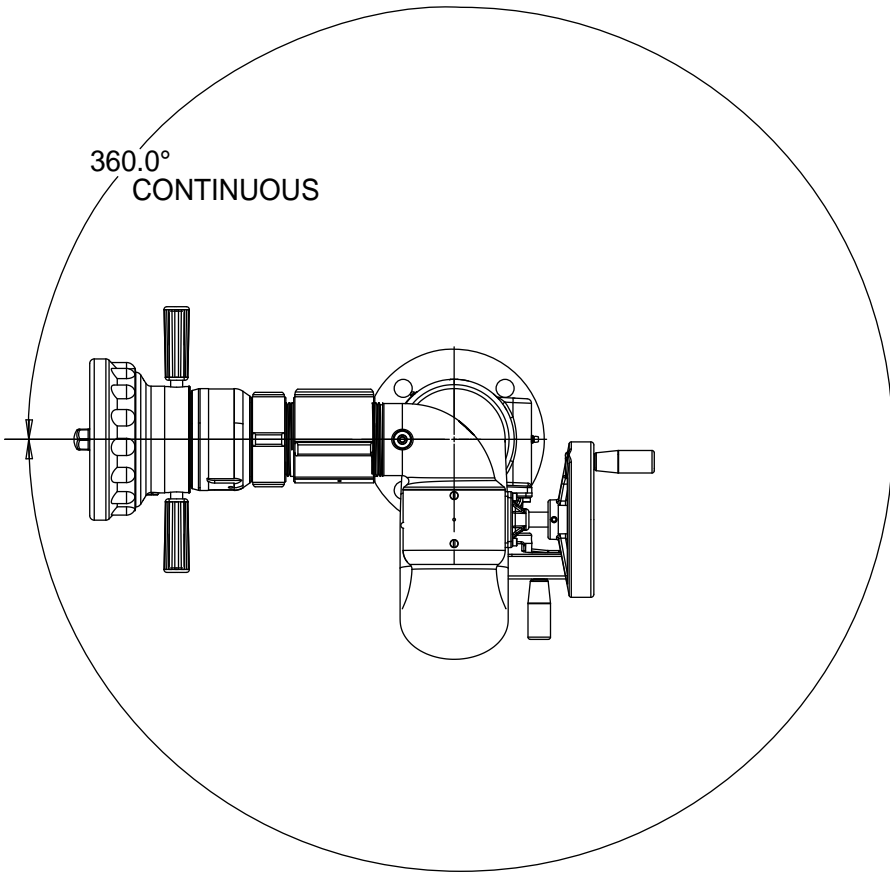
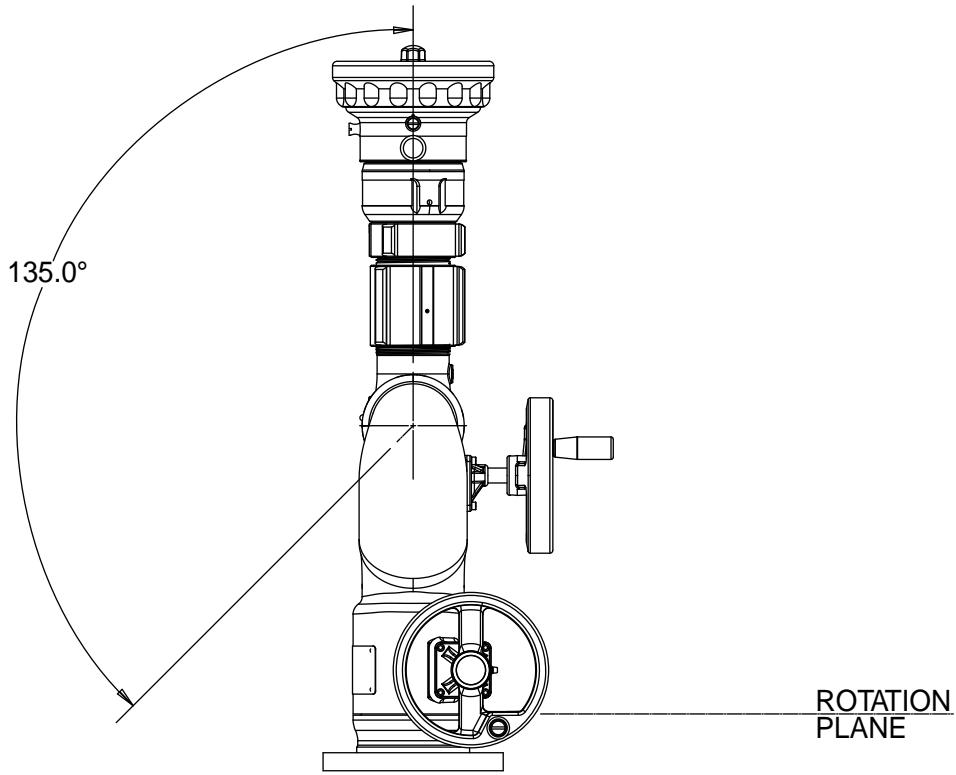


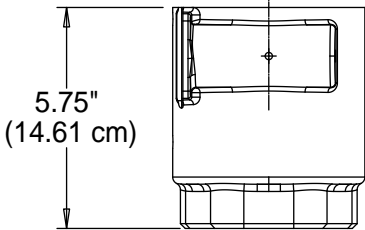
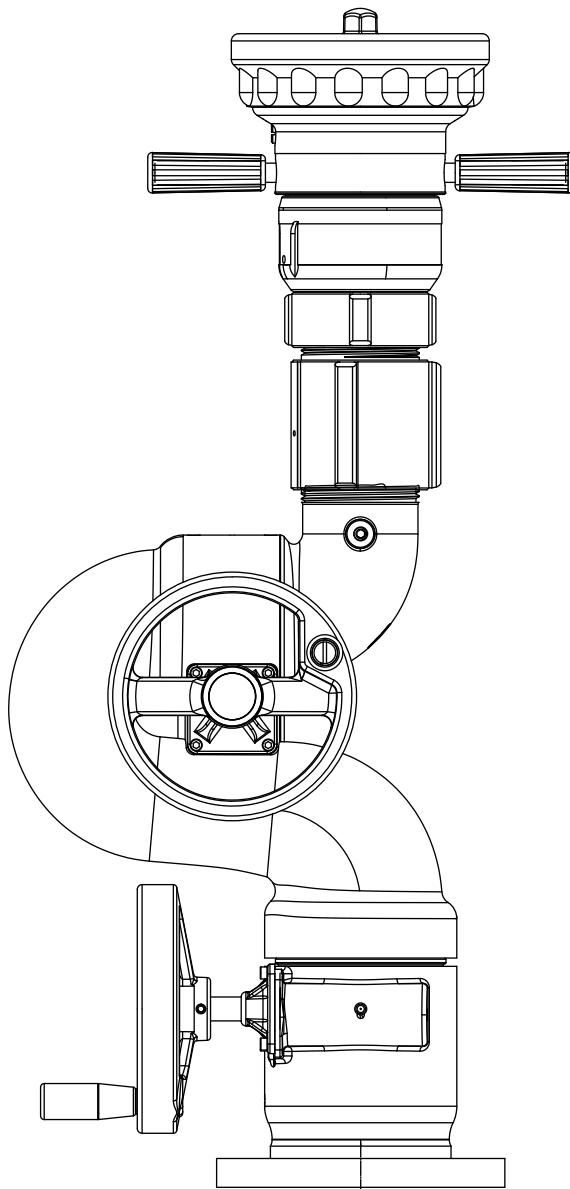
*TYPICAL - SEE INDIVIDUAL NOZZLE DRAWINGS

	ELKHART BRASS MFG. CO., INC. ELKHART, INDIANA	
	<small>THIS DRAWING CONTAINS INFORMATION THAT IS PROPRIETARY TO ELKHART BRASS MFG. CO., INC. AND MAY NOT BE USED TO PRODUCE ANY PARTS, ASSEMBLIES OR PRODUCTS DESCRIBED HEREIN WITHOUT EXPRESS WRITTEN PERMISSION.</small>	
VULCAN 8500-03 PAGE 3 OF 5 12/2007	TOP VIEW DIMENSIONAL	



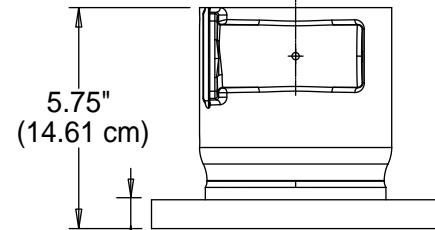
P.H. 14.67 "
(37.26 cm)





5.75"
(14.61 cm)

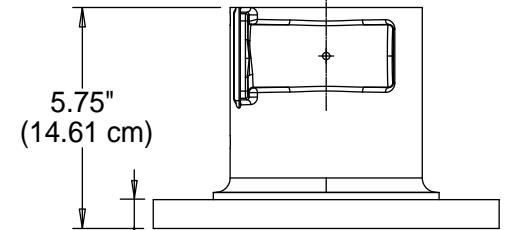
3" NPT



5.75"
(14.61 cm)

0.75"
(1.91 cm)

3" 150# FLANGE



5.75"
(14.61 cm)

0.75"
(1.91 cm)

4" 150# FLANGE

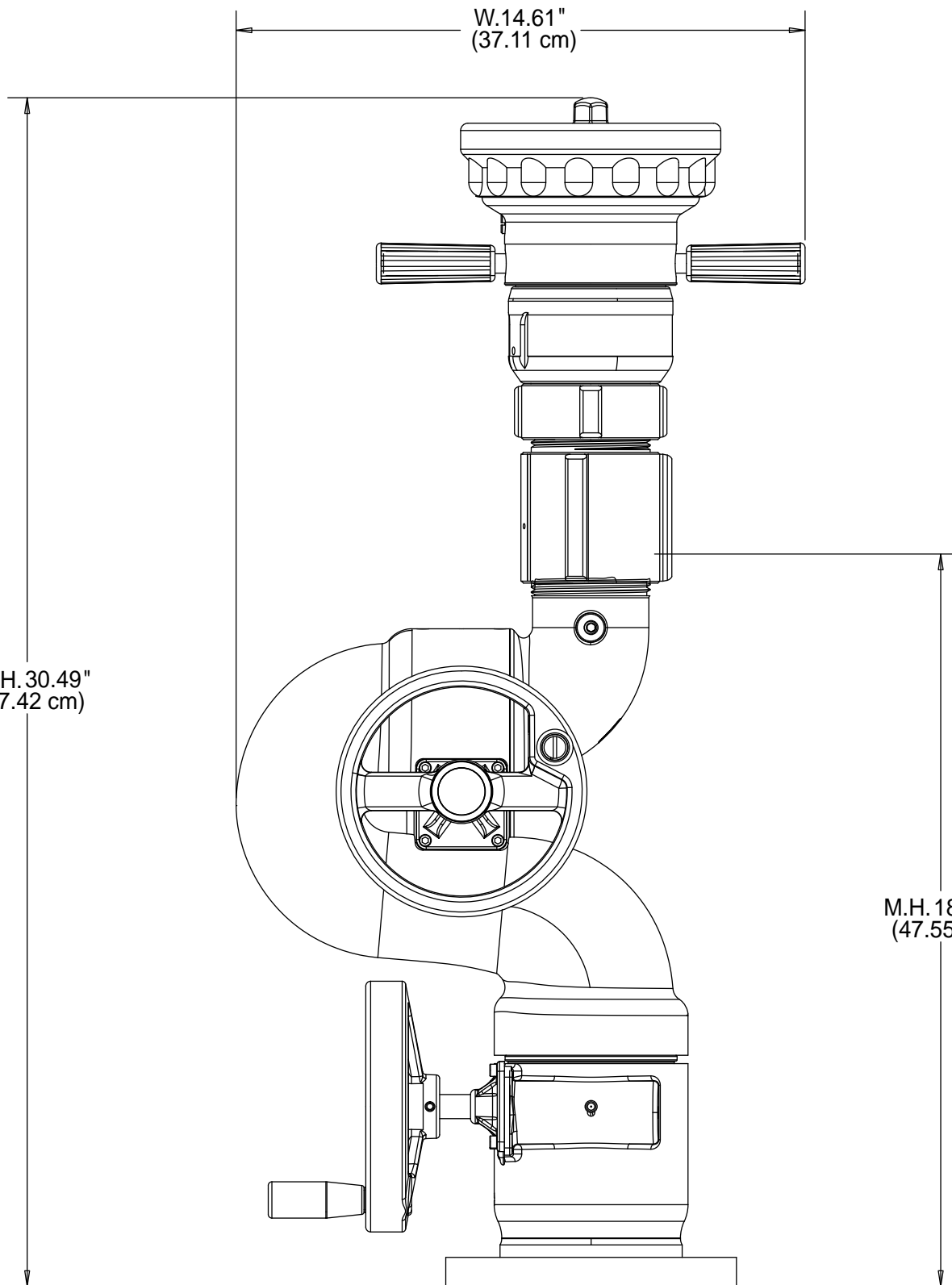


ELKHART BRASS MFG. CO., INC.
ELKHART, INDIANA


THIS DRAWING CONTAINS INFORMATION THAT IS PROPRIETARY TO ELKHART BRASS MFG. CO., INC. AND MAY NOT BE USED TO PRODUCE ANY PARTS, ASSEMBLIES OR PRODUCTS DESCRIBED HEREIN WITHOUT EXPRESS WRITTEN PERMISSION.

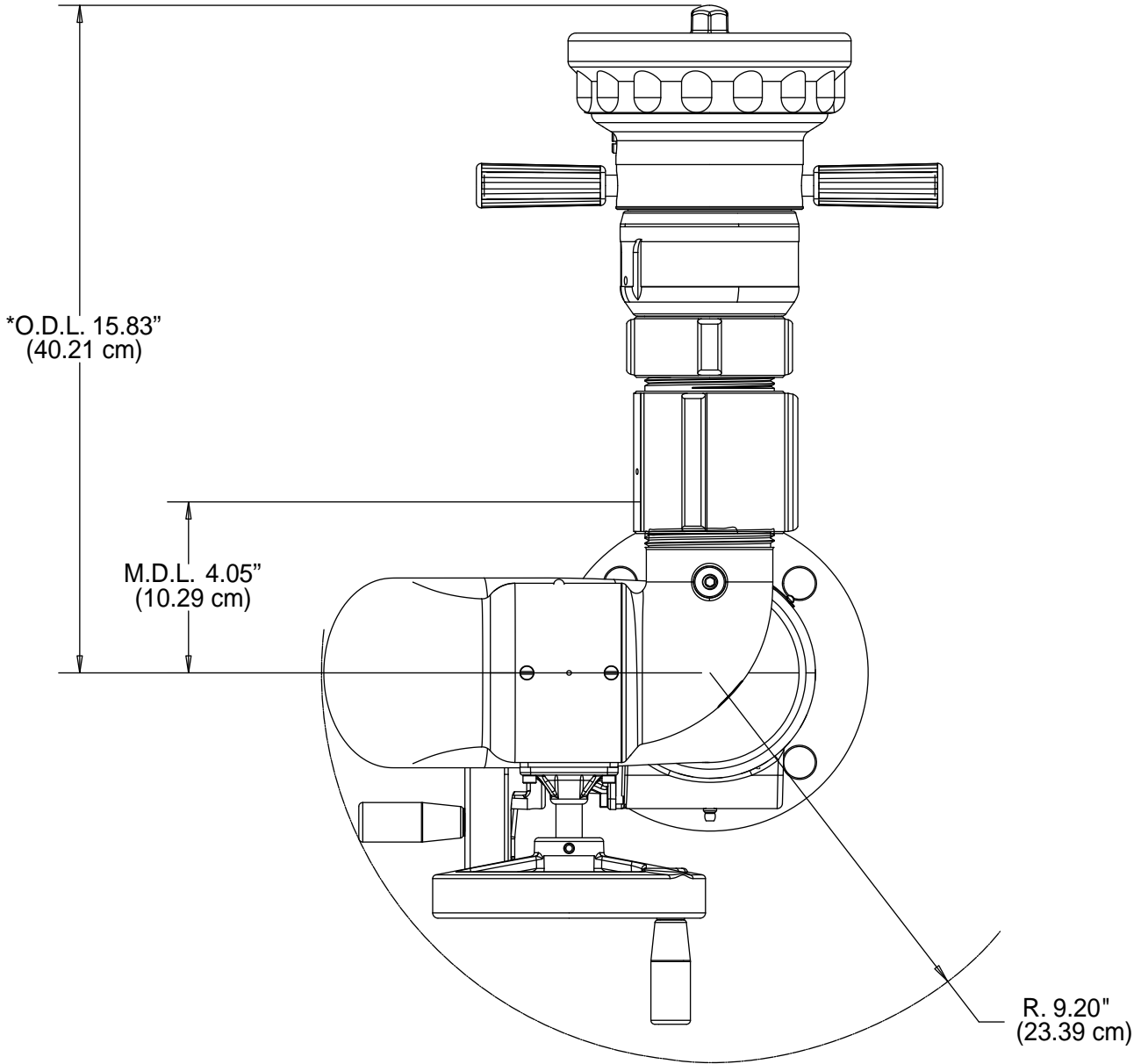
VULCAN 8500-03X
PAGE 1 OF 5
12/2007

BASE
DIMENSIONAL




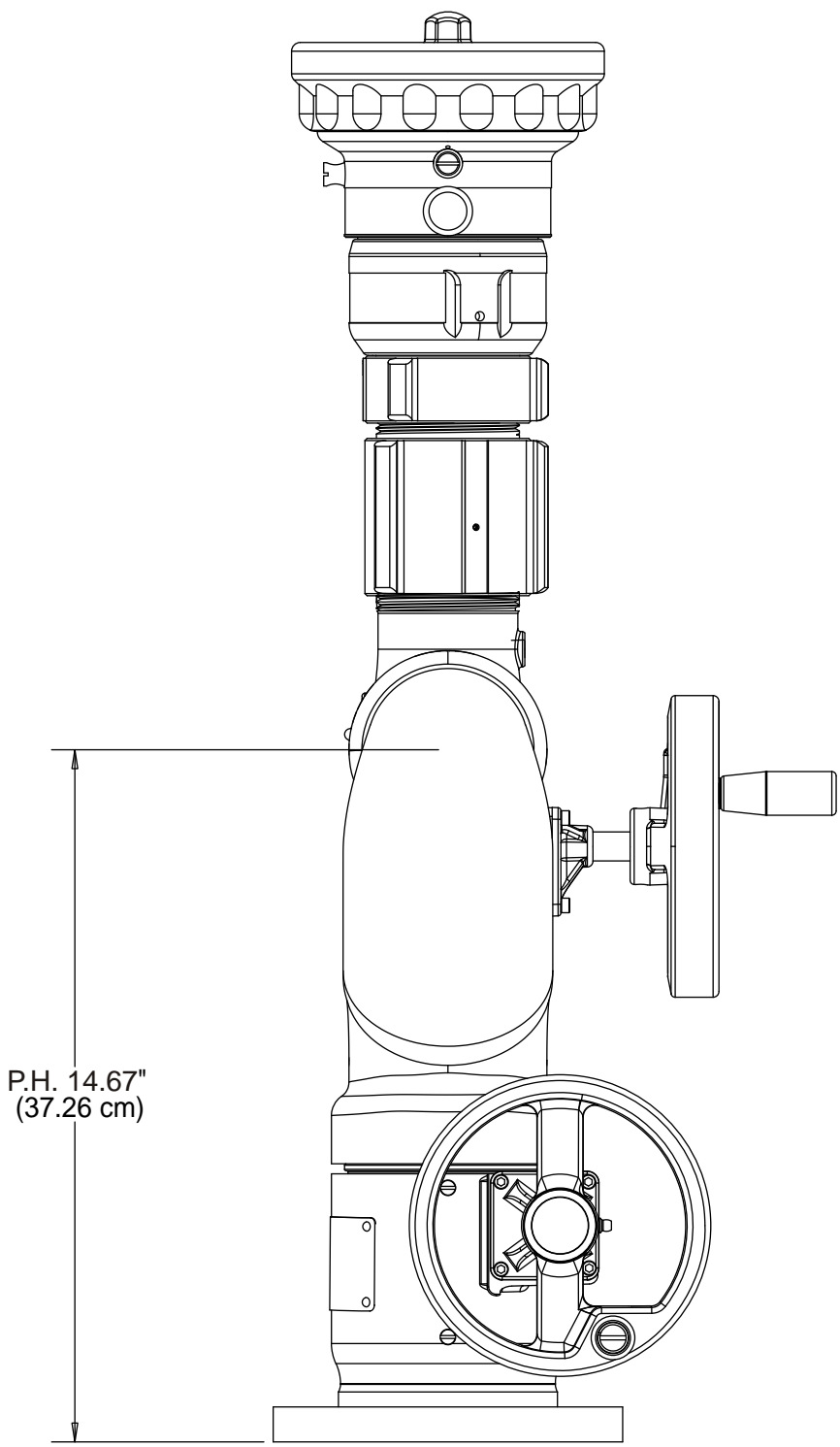
*TYPICAL - SEE INDIVIDUAL NOZZLE DRAWINGS

	ELKHART BRASS MFG. CO., INC. ELKHART, INDIANA	
	<small>THIS DRAWING CONTAINS INFORMATION THAT IS PROPRIETARY TO ELKHART BRASS MFG. CO., INC. AND MAY NOT BE USED TO PRODUCE ANY PARTS, ASSEMBLIES OR PRODUCTS DESCRIBED HEREIN WITHOUT EXPRESS WRITTEN PERMISSION.</small>	
<small>VULCAN 8500-03X PAGE 2 OF 5 12/2007</small>	<small>BACK VIEW DIMENSIONAL</small>	

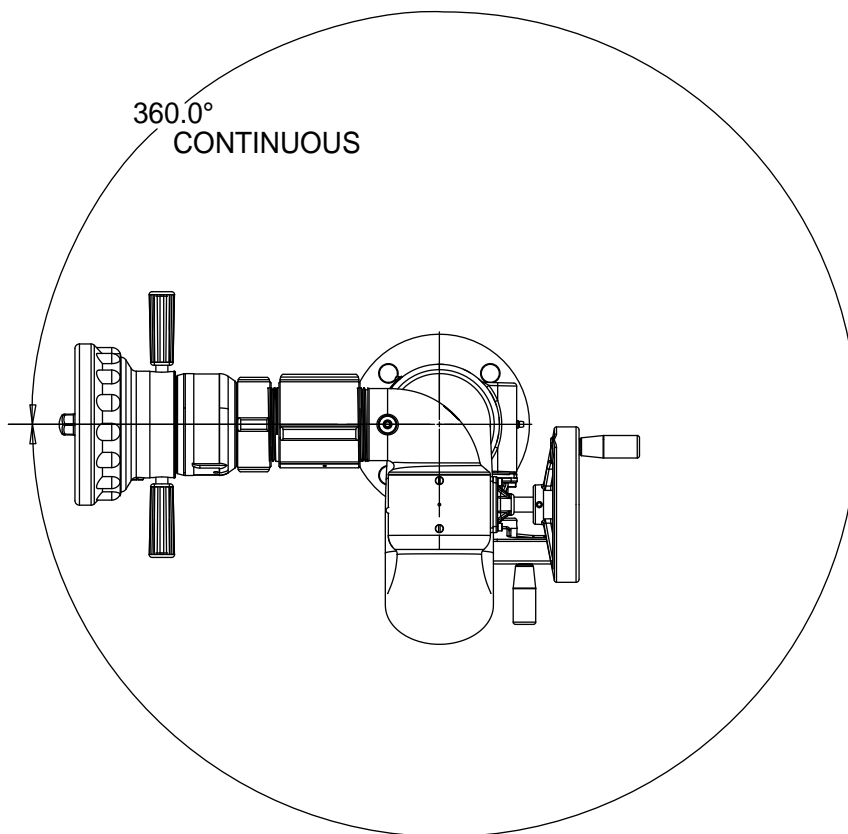
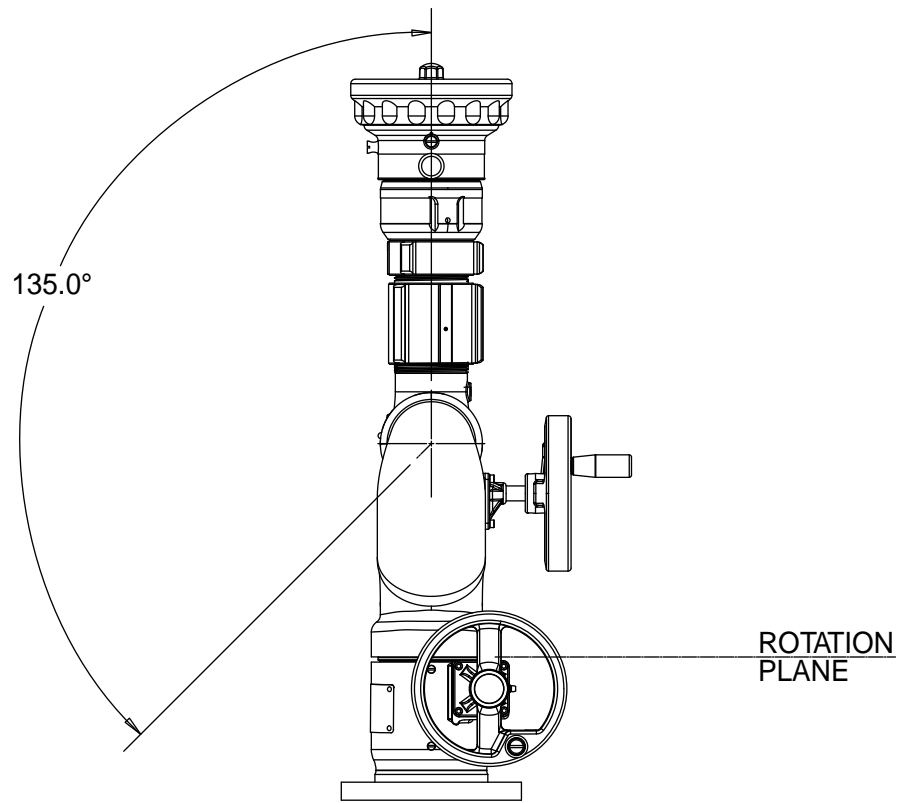



*TYPICAL - SEE INDIVIDUAL NOZZLE DRAWINGS

	ELKHART BRASS MFG. CO., INC. ELKHART, INDIANA
<small>THIS DRAWING CONTAINS INFORMATION THAT IS PROPRIETARY TO ELKHART BRASS MFG. CO., INC. AND MAY NOT BE USED TO PRODUCE ANY PARTS, ASSEMBLIES OR PRODUCTS DESCRIBED HEREIN WITHOUT EXPRESS WRITTEN PERMISSION.</small>	
<small>VULCAN 8500-03X PAGE 3 OF 5 12/2007</small>	<small>TOP VIEW DIMENSIONAL</small>



P.H. 14.67"
(37.26 cm)



 ELKHART BRASS MFG. CO., INC. ELKHART, INDIANA	
<small>THIS DRAWING CONTAINS INFORMATION THAT IS PROPRIETARY TO ELKHART BRASS MFG. CO., INC. AND MAY NOT BE USED TO PRODUCE ANY PARTS, ASSEMBLIES OR PRODUCTS DESCRIBED HEREIN WITHOUT EXPRESS WRITTEN PERMISSION.</small>	
VULCAN 8500-03X PAGE 5 OF 5 12/2007	RANGE OF MOTION

DIMENSIONAL ABBREVIATION KEY*

ABBREVIATION	DESCRIPTION
D.L.	Discharge Length
H.H.	Handle Height
H.S.R.	Handle Swing Radius
M.D.L.	Monitor Discharge Length
M.H.	Monitor Height
O.D.L.	Overall Discharge Length
O.H.	Overall Height
O.L.	Overall Length
P.H.	Pivot Height
P.R.	Pivot Radius
R.	Radius
S.D.H.	Stow Down Height
W.	Width

*Not all abbreviations will be used on every drawing



ELKHART BRASS MFG. CO., INC.
ELKHART, INDIANA

THIS DRAWING CONTAINS INFORMATION THAT IS
PROPRIETARY TO ELKHART BRASS MFG. CO., INC.
AND MAY NOT BE USED TO PRODUCE ANY PARTS,
ASSEMBLIES OR PRODUCTS DESCRIBED HEREIN
WITHOUT EXPRESS WRITTEN PERMISSION.

DIMENSIONAL
KEY
2/2008