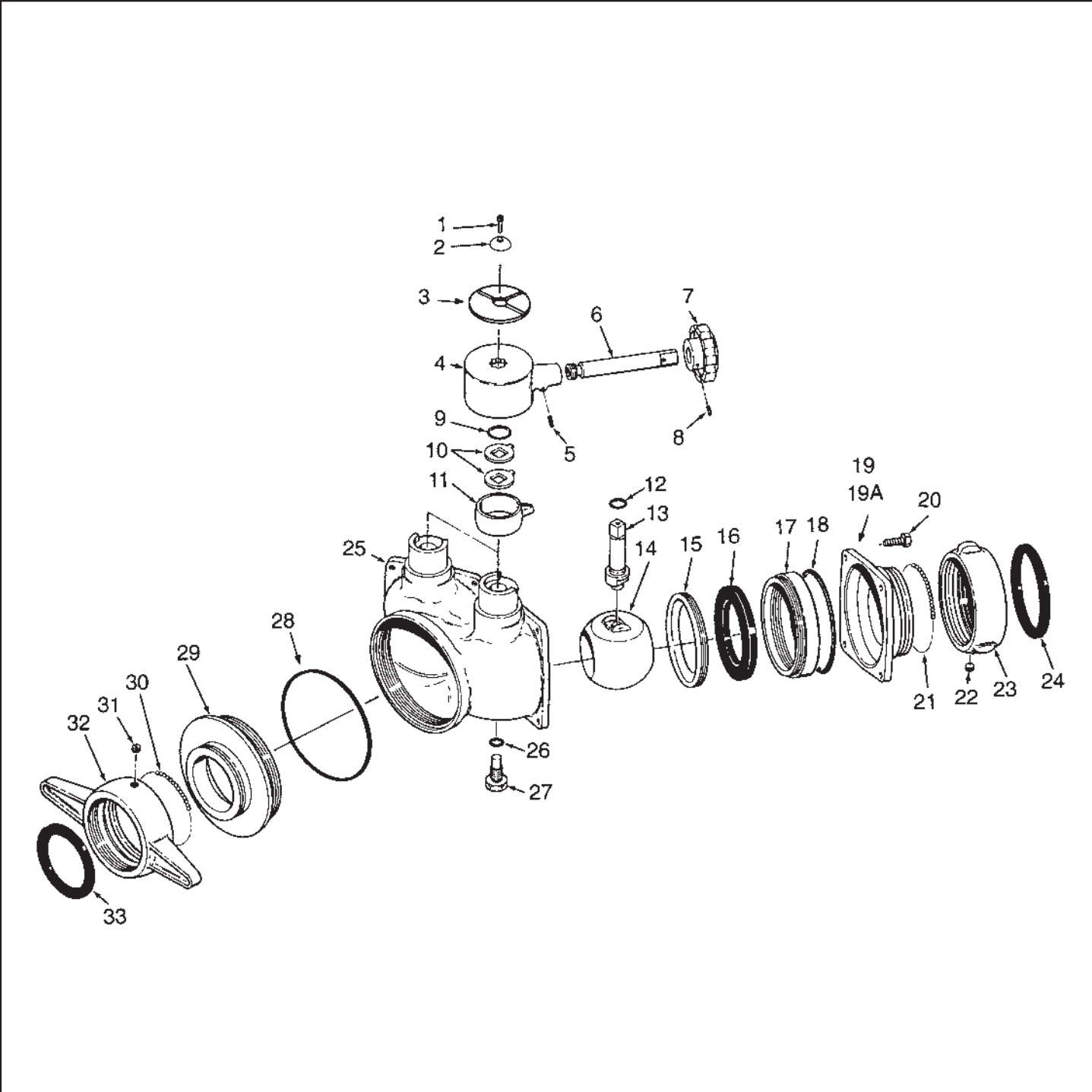
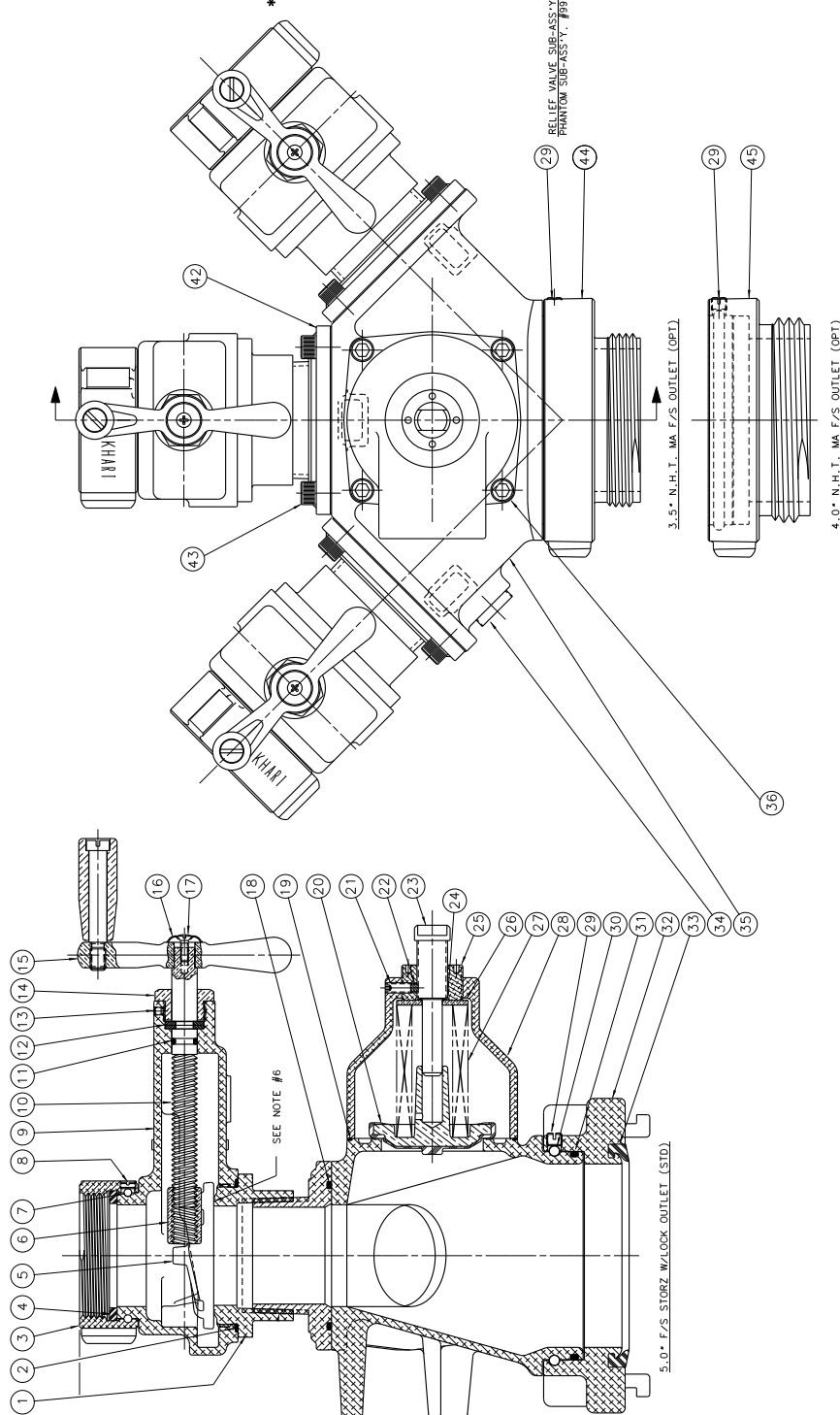


INDEX NO.	PART NO.	QTY. REQ.	DESCRIPTION
1	16418005	1	Handle Bolt
2A	44256000	2	Caution Label (CCW)
2B	44257000	1	Caution Label (CW)
3	23515004	1	Handle Cover
4	71156001	1	Flat Washer
5A	36318000	1	Handle Body(70,80)
5B	36742001	1	Handle Body(72)
6	51246000	1	Roll Pin
7A	61530001	1	Handle Rod (Straight)
7B	61539001	1	Handle Rod (Bent)
8	42023000	1	Handle Knob
9	51815000	1	Stop Plate
10	64062000	1	Cap Screw
11	63595001	1	Spacer
12	63765001	1	Upper Actuator
13	62126000	2	Coil Spring
14	51119001	4	Lock Pin
15	57396000	1	"O" Ring
16	71188000	1	Teflon Washer
17	63767001	1	Lower Actuator
18	17313000	1	Valve Ball
19	61418000	2	Valve Seat
20	25105001	1	2.5" B/G End Cap
21	16383000	4	Hex Bolt
22	15018000	52	.187" S/S Ball
23	63674000	1	Set Screw
24	63069001	1	2.5" Swivel
25	33083000	1	Rubber Gasket
26	16967001	1	Valve Body
27	63790000	4	Cap Screw
28	51407001	1	Plate Cover
29	57456000	1	"O" Ring
30	51881000	1	Pipe Plug
31	03731001	1	114 Drain Valve
32	17665001	1	Appliance Body
33	15027000	64	.250" S/S Ball
34	57402000	1	"O" Ring
35	11655001	1	Free Swivel Adapter
36	63675000	1	Set Screw
37	33260000	1	Gasket
38	11668000	1	4.0" Storz Connector w/ Lock
39	11655001	1	5.0" F/S Adapter
39	11671000	1	5.0" Storz Connector w/ Lock
40	57456000	1	"O" Ring
41	52196001	1	Molded Urethane Piston
42	62123000	1	Coil Spring
43	71130001	1	Tension Washer
44	71189000	2	Thrust Washer
45	16982001	1	Valve Bonnet
46	63697000	1	Set Screw
47	51021001	1	Locking Pellet
48	63798000	4	Cap Screw
49	16674001	1	Adjusting Bushing
50	16422001	1	Adjusting Screw



INDEX NO.	PART NO.	QTY. REQ.	DESCRIPTION
1	61036	2	Cap Screw
2	71082	2	Handle Washer
3	51730	2	Indicator Plate
4	15787	2	Handle Body (B-98)
4	15800	2	Handle Body (B-98A)
5	51246	2	Roll Pin
6	61519	2	Handle Rod
7	42054	2	Handle Knob
8	63677	2	Set Screw
9	57395	2	"O" Ring
10	51812	4	Stop Plate
11	61701	2	Expanding Sleeve (B-98)
11	61706	2	Expanding Sleeve (B-98A)
12	57295	2	"O" Ring
13	61467	2	Actuator Shaft (B-98)
13	63756	2	Actuator Shaft (B-98A)
14	17303	2	Valve Ball
15	57264	2	Retainer Lock Ring (B-98)
15	57273	2	Retainer Lock Ring (B-98A)
16	61391	2	Valve Seat
17	57032	2	Seat Retainer (B-98)
17	58886	2	Seat Retainer (B-98A)
18	57390	2	"O" Ring
19	20121	2	B/G End Cap (B-98)
19	20123	2	B/G End Cap (B-98A)
19A	20145	1	B/G End Cap w/Drain (B-98)
19A	25131	1	B/G End Cap w/Drain (B-98A)
20	16375	8	Cap Screw
21	15016	104	.187 Diam. Brass Balls (B-98)
21	15018	104	.187 S/S Balls (B-98A)
22	61222	2	Set Screw (B-98)
22	63674	2	Set Screw (B-98A)
23	62919	2	2.5" R/L Swivel (B-98)
23	63069	2	2.5" R/L Swivel (B-98A)
24	33083	2	Rubber Gasket
25	16357	1	Body (B-98)
25	16358	1	Body (B-98A)
26	57321	2	"O" Ring
27	61192	2	Pivot Bolt
28	57308	1	"O" Ring
29	10033	1	2.5" B/G Adapter (B-98)
29	10061	1	2.5" B/G Adapter (B-98A)
29	10034	1	3.0" B/G Adapter (B-98)
29	10062	1	3.0" B/G Adapter (B-98A)
29	10035	1	3.5" B/G Adapter (B-98)
29	10060	1	3.5" B/G Adapter (B-98A)
29	10036	1	4.0" B/G Adapter (B-98)
29	10059	1	4.0" B/G Adapter (B-98A)
29	10030	1	4.5" B/G Adapter (B-98)
29	10058	1	4.5" B/G Adapter (B-98A)
29	10031	1	5.0" B/G Adapter (B-98)
29	10063	1	5.0" B/G Adapter (B-98A)
29	10032	1	6.0" B/G Adapter (B-98)
29	10064	1	6.0" B/G Adapter (B-98A)
30	15016	*	.187 Diam. Brass Ball (B-98)
30	15018	*	.187 Diam. S/S Ball (B-98A)
31	61221	1	Set Screw (2.5", 3.5") (B-98)
31	61224	1	Set Screw (3.0", 4.0", 4.5", 5.0", 6.0") (B-98)
31	63674	1	Set Screw (2.5") (B-98A)
31	63676	1	Set Screw (3.0", 4.0", 4.5", 5.0", 6.0") (B-98A)
31	63675	1	Set Screw (3.5") (B-98A)
32	62962	1	2.5" L/H Swivel (B-98)
32	63034	1	2.5" L/H Swivel (B-98A)
32	62974	1	3.0" L/H Swivel (B-98)
32	63024	1	3.0" L/H Swivel (B-98A)
32	62879	1	3.5" L/H Swivel (B-98)
32	63023	1	3.5" L/H Swivel (B-98A)
32	62903	1	4.0" L/H Swivel (B-98)
32	63025	1	4.0" L/H Swivel (B-97A)
32	62911	1	4.5" L/H Swivel (B-98)
32	63026	1	4.5" L/H Swivel (B-98A)
32	62957	1	5.0" L/H Swivel (B-98)
32	63027	1	5.0" L/H Swivel (B-98A)
32	62909	1	6.0" L/H Swivel (B-98)
32	63028	1	6.0" L/H Swivel (B-98A)
33	33083	1	Rubber Gasket 2.5"
33	33094	1	Rubber Gasket 3.0"
33	33186	1	Rubber Gasket 3.5"
33	33177	1	Rubber Gasket 4.0"
33	33180	1	Rubber Gasket 4.5"
33	33179	1	Rubber Gasket 5.0"
33	33184	1	Rubber Gasket 6.0"

* 2.5" -52, 3.0"-58, 3.5"-71, 4.0"-79, 4.5"-92, 5.0"-96, 6.0"-113



* SEE 99423000 (D) 99325201 OUTLET OPTIONS

LOOSE PARTS USED ON ALL OUTLETS

31	57402000	WASHER	Ø 1.00" I.D. X 0.338" L	1
30	15027000	BALLS (0.250 DIA) S/S	64	
29	63675000	WASHER	Ø 1.00" I.D. X 0.338" L	1

43	63798000	SCREW	Ø 0.1875" X 0.250" L	12
42	25132001	CAP-END (2.5" NPT MA)	Ø 1.315" I.D. X 6.231" L	3
36	63798000	WASHER	Ø 1.00" I.D. X 0.338" L	4
35	17665001	BODY-APPLIANCE F/S 3-WAY	Ø 1.315" I.D. X 6.231" L	1
34	51881000	PISTON	Ø 1.315" I.D. X 0.338" L	1
28	16982001	BONNET-VALVE	Ø 1.315" I.D. X 6.231" L	1
27	62123000	SPRING-COIL	Ø 0.1875" X 0.250" L	1
26	71130001	WASHER-TENSION	Ø 1.315" I.D. X 0.338" L	1
25	16874001	BUSHING-ADJUSTING	Ø 1.315" I.D. X 0.338" L	1
24	71189000	WASHER-THRUST	Ø 1.315" I.D. X 0.338" L	2
23	16422001	SCREW-ADJUST	Ø 0.1875" X 0.250" L	1
22	51021001	PELLET-LOCKING	Ø 1.315" I.D. X 0.338" L	1
20	52196101	PISTON-MOLDED URETHANE	Ø 1.315" I.D. X 0.338" L	1
19	57456000	SCREW-ADJUST	Ø 0.1875" X 0.250" L	1
18	57312000	WASHER	Ø 1.00" I.D. X 0.338" L	3
17	61211000	SCREW-ADJUST	Ø 0.1875" X 0.250" L	1
16	71080000	HANDLE-WASHER S/S	Ø 1.315" I.D. X 0.338" L	1
15	80329001	HANDLE-SUB-ASSY	Ø 1.315" I.D. X 0.338" L	1
14	47631001	WASHER	Ø 1.00" I.D. X 0.338" L	1
13	63685000	SCREW-SET (Ø 0.1875) S/S	Ø 0.1875" X 0.250" L	1
12	71032001	WASHER-Ø 1.00" I.D. X 0.338" L	Ø 1.00" I.D. X 0.338" L	2
11	57343000	WASHER-Ø 1.00" I.D. X 0.338" L	Ø 1.00" I.D. X 0.338" L	1
10	62657001	STEM-VALVE	Ø 1.315" I.D. X 0.338" L	1
9	16952001	BODY-VALVE (2.5 B/A)	Ø 1.315" I.D. X 6.231" L	1
8	63674000	BALLS (0.250 DIA) S/S	64	
7	15018000	BALLS (0.1875 DIA) S/S	52	
5	33575001	GATE-(2.5)	Ø 1.315" I.D. X 0.338" L	1
4	33083000	HANDLE-TRIGGER (Ø 0.1875) S/S	Ø 0.1875" X 0.250" L	1
3	63068001	WASHER-Ø 1.00" I.D. X 0.338" L	Ø 1.00" I.D. X 0.338" L	1
2	157312000	WASHER-Ø 1.00" I.D. X 0.338" L	Ø 1.00" I.D. X 0.338" L	1
1	11567001	ADAPTER-BODY (2.5 NPT F)	Ø 1.315" I.D. X 0.338" L	1

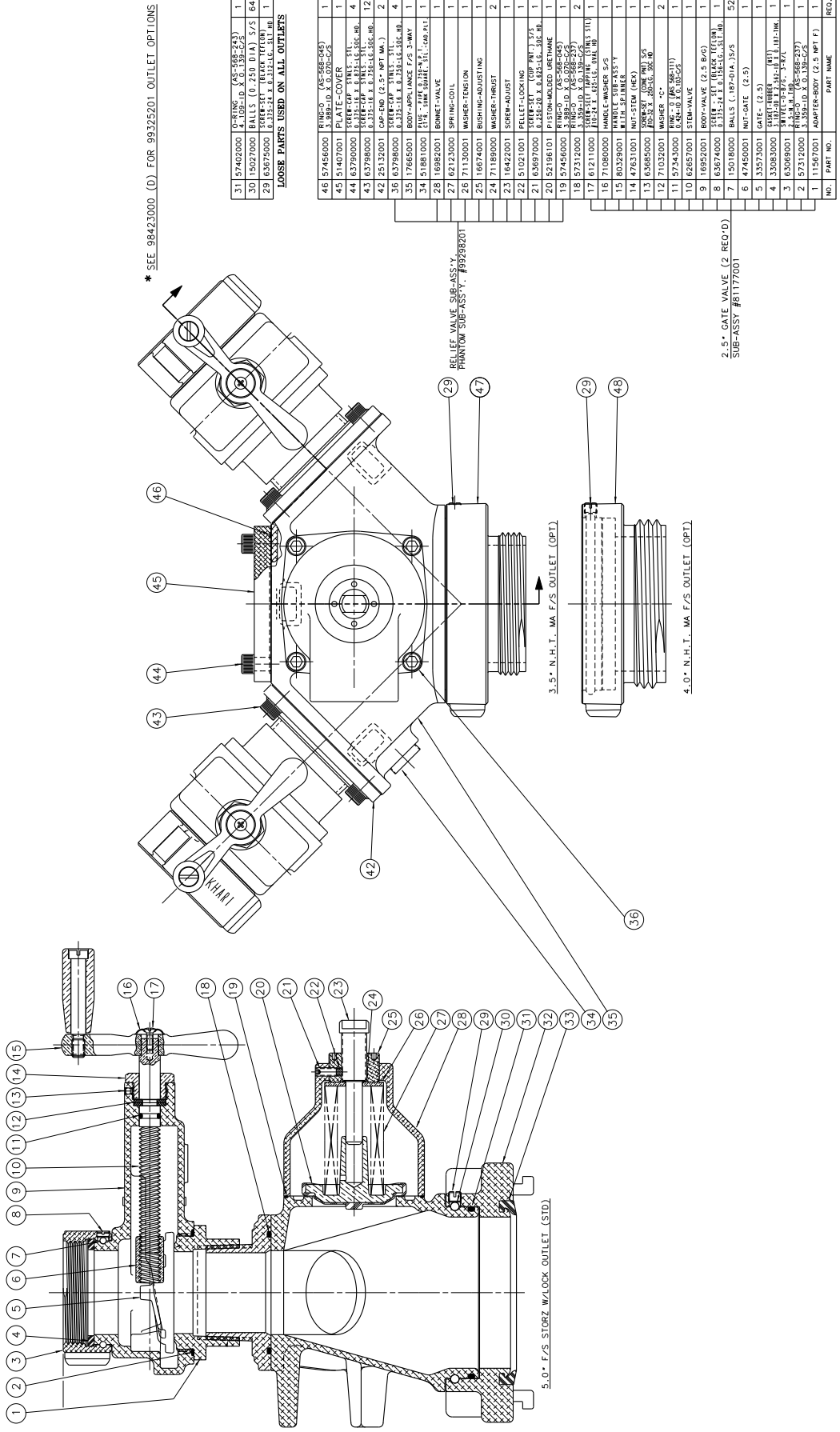
2.5" GATE VALVE (3 REQ'D)
SUB-ASSY #81177001

4.0" N.H.T. MA F/S OUTLET (OPT)

3.5" N.H.T. MA F/S OUTLET (OPT)

5.0" F/S STORZ W/LOCK OUTLET (STD)

NO.	PART NO.	PART NAME	REQ.
-----	----------	-----------	------



LOOSE PARTS USED ON ALL OUTLETS

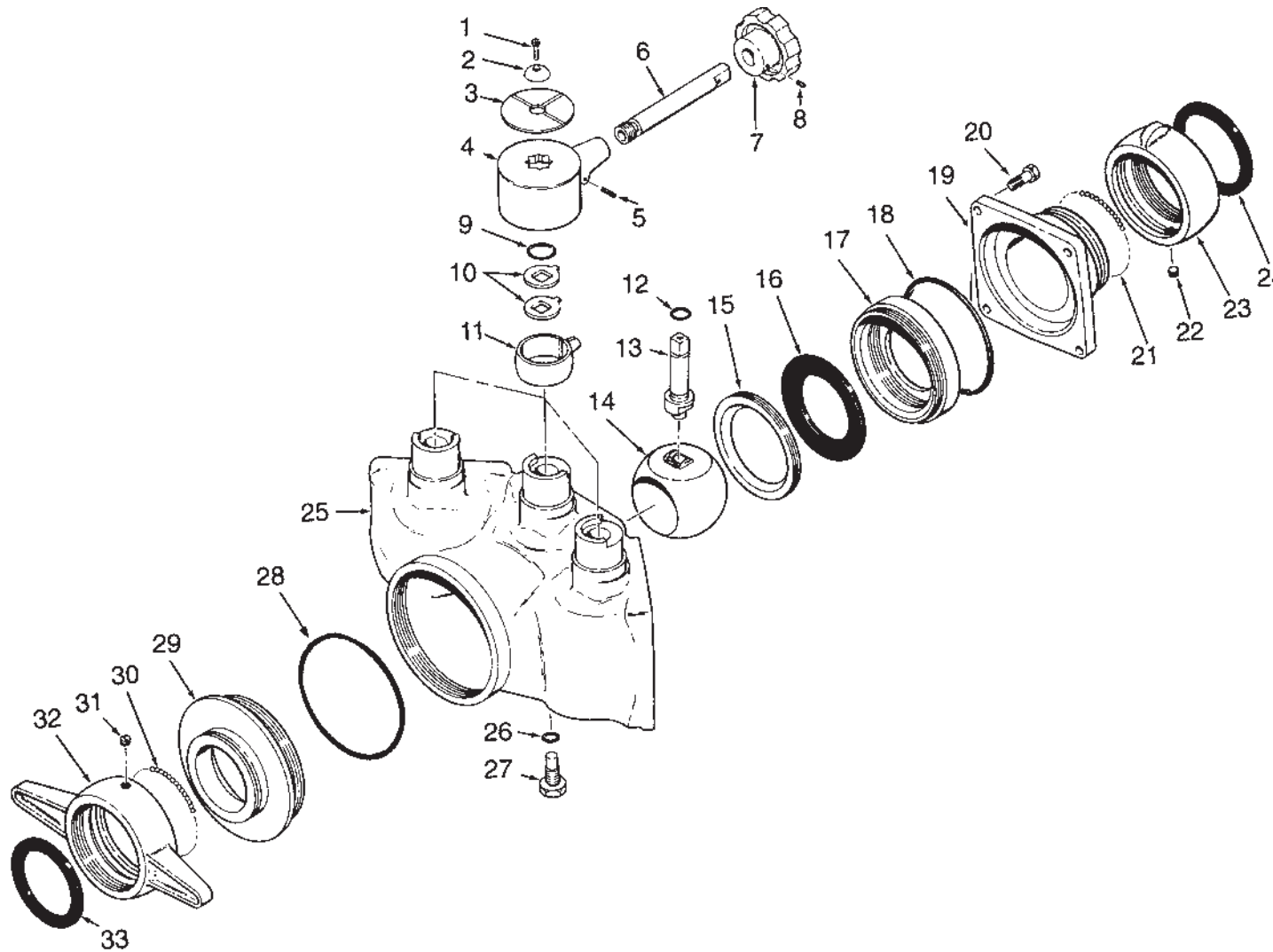
31	57402000	O-RING (AS-568-243)	1
30	15027000	BALLS (0.250 DIA) 3/5 64	1
29	63675000	E-332-34 X 0.3125 L.C. STL BR	1
LOOSE PARTS USED ON ALL OUTLETS			
46	57456000	RING-O (AS-568-045)	1
45	15407001	PLATE-ID (AS-568-025)	1
44	63790000	SEAL-TAP 3/16X 3/16	4
43	63796000	E-332-34 X 0.3125 L.C. STL BR	2
42	25132001	CAP-END (2.5" NPT MA)	2
36	63796000	E-332-34 X 0.3125 L.C. STL BR	4
35	17665001	BODY-APPLANCE F/S 3-WAY	1
34	51881000	PIPE, 1/2" DIA 304 STAINLESS STEEL	1
28	16982001	BONNET-VALVE	1
27	62123000	SPRING-COIL	1
26	71130001	WASHER-TENSION	1
25	16674001	BUSHING-ADJUSTING	1
24	71189000	WASHER-THROST	2
23	16422001	SCREW-ADJUST	1
22	51021001	PELLET-LOCKING	1
21	63697000	E-332-34 X 0.3125 L.C. STL BR	1
20	52196101	PISTON-MOLDED URETHANE	1
19	57456000	RING-O (AS-568-237)	2
18	61211000	SOLENOID (147) 1/2" DIA 3/16	1
17	61211000	SOLENOID (147) 1/2" DIA 3/16	1
16	71080000	HANDLE-WASHER S/S	1
15	80329001	HANDLE-SUB-ASSY	1
14	47631001	W.H. SCREWS	1
13	63665000	SCREW-SET (CONV) S/S	1
12	71032001	WASHER-CG (AS-568-31)	2
11	57343000	E-332-34 X 0.3125 L.C. STL BR	1
10	62657001	STEM-VALVE	1
9	16952001	BODY-VALVE (2.5 B/A)	1
8	63674000	E-332-34 X 0.3125 L.C. STL BR	1
7	15018000	BALLS (.1875 DIA) 3/5	52
5	47450001	GATE- (2.5)	1
4	33525001	GATE- (2.5)	1
3	130083000	SOLENOID (147) 1/2" DIA	1
2	63066001	SOLENOID (147) 1/2" DIA	1
1	157312000	SOLENOID (147) 1/2" DIA	1
1	157312000	SOLENOID (147) 1/2" DIA	1
1	11567001	ADAPTER-BODY (2.5 NPT F)	1
1		PART NAME	REQ.

2.5" GATE VALVE (2 REQ'D)
SUB-ASSY #91177001

4.0" N.H.T. MA F/S OUTLET (OPT)

3.5" N.H.T. MA F/S OUTLET (OPT)

5.0" F/S STORZ W/LOCK OUTLET (STD)



INDEX NO.	PART NO.	QTY. REQ.	DESCRIPTION
1	61036	3	Cap Screw
2	71082	3	Handle Washer
3	51730	1	Indicator Plate
4	15787	3	Handle Body (B-99)
4	15800	3	Handle Body (B-99A)
5	51246	3	Roll Pin
6	61519	3	Handle Rod
7	42054	3	Handle Knob
8	63677	3	Set Screw
9	57395	3	"O" Ring
10	51812	6	Stop Plate
11	67101	3	Expanding Sleeve (B-99)
11	61706	3	Expanding Sleeve (B-99A)
12	57295	3	"O" Ring
13	61467	3	Actuator Shaft (B-99)
13	63756	3	Actuator Shaft (B-99A)
14	17303	3	Valve Ball
15	57264	3	Retainer Lock Ring (B-99)
15	57273	3	Retainer Lock Ring (B-99A)
16	61391	3	Valve Seat
17	57032	3	Seat Retainer (B-99)
17	58886	3	Seat Retainer (B-99A)
18	57390	3	"O" Ring
19	20121	3	B/G End Cap (B-99)
19	20123	3	B/G End Cap (B-99A)
20	16375	12	Cap Screw
21	15016	156	.187 Diam. Brass Balls (B-99)
21	15018	156	.187 S/S Balls (B-99A)
22	61222	3	Set Screw (B-99)
22	63674	3	Set Screw (B-99A)
23	62919	3	2.5" R/L Swivel (B-99)
23	63069	3	2.5" R/L Swivel (B-99A)
24	33083	3	Rubber Gasket
25	16316	1	Body (B-99)
25	16326	1	Body (B-99A)
26	57321	3	"O" Ring
27	61192	3	Pivot Bolt
28	57308	1	"O" Ring
29	10033	1	2.5" B/G Adapter (B-99)
29	10061	1	2.5" B/G Adapter (B-99A)
29	10034	1	3.0" B/G Adapter (B-99)
29	10062	1	3.0" B/G Adapter (B-99A)
29	10035	1	3.5" B/G Adapter (B-99)
29	10060	1	3.5" B/G Adapter (B-99A)
29	10036	1	4.0" B/G Adapter (B-99)
29	10059	1	4.0" B/G Adapter (B-99A)
29	10030	1	4.5" B/G Adapter (B-99)
29	10058	1	4.5" B/G Adapter (B-99A)
29	10031	1	5.0" B/G Adapter (B-99)
29	10063	1	5.0" B/G Adapter (B-99A)
29	10032	1	6.0" B/G Adapter (B-99)
29	10064	1	6.0" B/G Adapter (B-99A)
30	15016	*	.187 Diam. Brass Ball (B-99)
30	15018	*	.187 Diam. S/S Ball (B-99A)
31	61221	1	Set Screw (2.5", 3.5") (B-99)
31	61224	1	Set Screw (3.0", 4.0", 4.5", 5.0", 6.0") (B-99)
31	63674	1	Set Screw (2.5") (B-99A)
31	63676	1	Set Screw (3.0", 4.0", 4.5", 5.0", 6.0") (B-99A)
31	63675	1	Set Screw (3.5") (B-99A)
32	62962	1	2.5" L/H Swivel (B-99)
32	63034	1	2.5" L/H Swivel (B-99A)
32	62974	1	3.0" L/H Swivel (B-99)
32	63024	1	3.0" L/H Swivel (B-99A)
32	62879	1	3.5" L/H Swivel (B-99)
32	63023	1	3.5" L/H Swivel (B-99A)
32	62903	1	4.0" L/H Swivel (B-99)
32	63025	1	4.0" L/H Swivel (B-99A)
32	62911	1	4.5" L/H Swivel (B-99)
32	63026	1	4.5" L/H Swivel (B-99A)
32	62957	1	5.0" L/H Swivel (B-99)
32	63027	1	5.0" L/H Swivel (B-99A)
32	62909	1	6.0" L/H Swivel (B-99)
32	63028	1	6.0" L/H Swivel (B-99A)
33	33083	1	Rubber Gasket 2.5"
33	33094	1	Rubber Gasket 3.0"
33	33186	1	Rubber Gasket 3.5"
33	33177	1	Rubber Gasket 4.0"
33	33180	1	Rubber Gasket 4.5"
33	33179	1	Rubber Gasket 5.0"
33	33184	1	Rubber Gasket 6.0"

* 2.5"-52, 3.0"-58, 3.5"-71, 4.0"-79, 4.5"-92, 5.0"-96, 6.0"-113