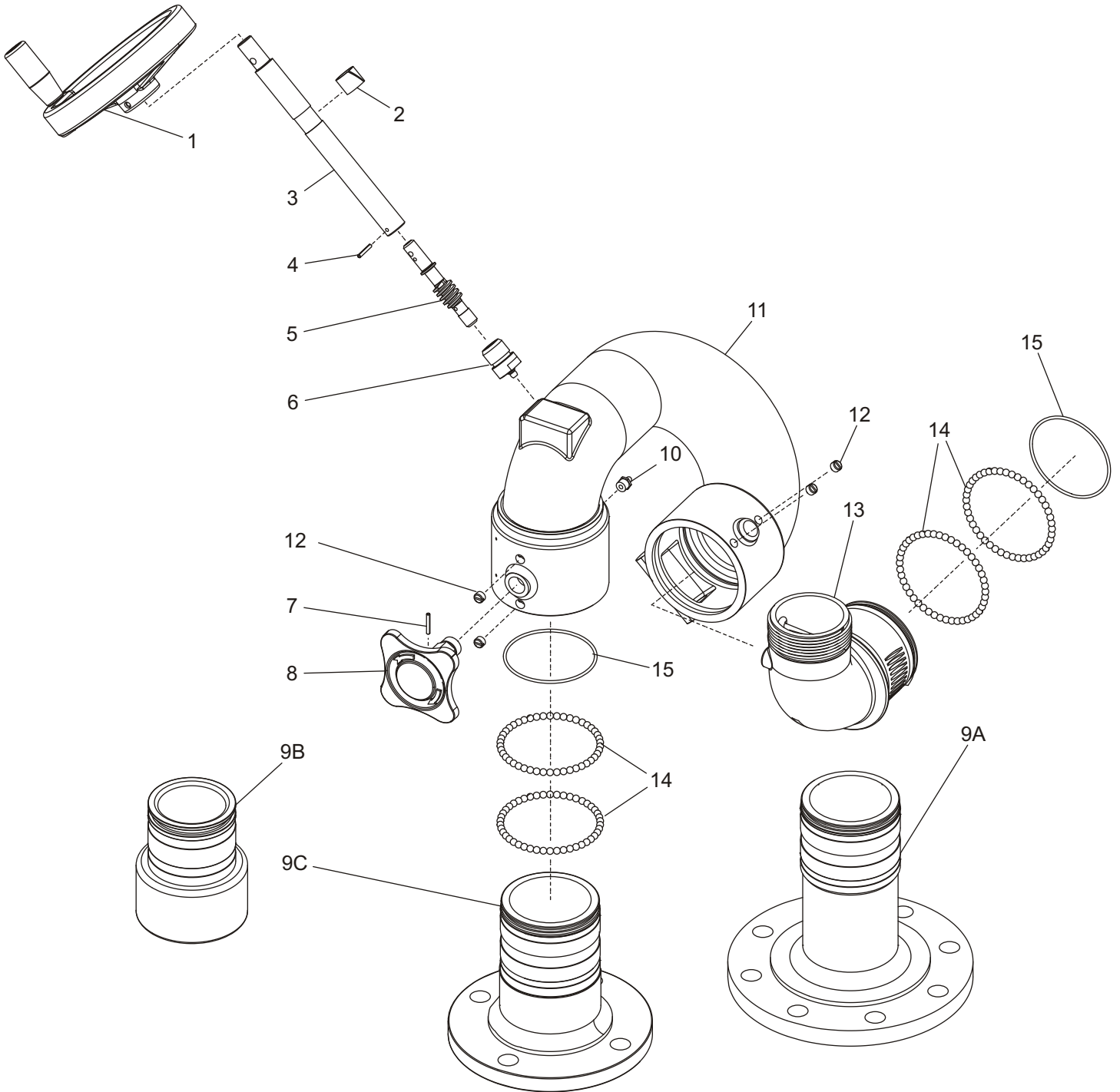

**ELKHART BRASS MFG. CO., INC.**  
 ELKHART, INDIANA  
 THIS DRAWING CONTAINS INFORMATION THAT IS PROPRIETARY TO ELKHART BRASS MFG. CO., INC. AND MAY NOT BE USED TO PRODUCE ANY PARTS, ASSEMBLIES OR PRODUCTS DESCRIBED HEREIN WITHOUT EXPRESS WRITTEN PERMISSION.  
 STINGRAY 8393IV  
 PAGE 1 OF 6  
 12/2007

PART DRAWING

## STINGRAY 8393IV

ITEM #	PART #	QTY	DESCRIPTION
1	17911001	1	BODY - MONITOR (OUTLET)
2	17912001	1	BODY - MONITOR (INLET)
3	28127501	1	ELBOW - DISC. (90DEG)
4	16666001	1	WORM BUSHING
5	31011000	2	BUSHING - ALEMITE
6A	15585001	1	BASE - 4" FLANGE
6B	15586001	1 (Opt)	BASE - 3" NPT
6C	15597001	1 (Opt)	BASE - 3" FLANGE
7	63933001	1	WORM SHAFT
8	51236000	1	ROLL PIN
9	63592001	1	SPACER
10	71082000	1	HANDLE WASHER BRASS
11	61037000	1	SOC CAP SCREW S/S
12	64046001	1	HANDWHEEL SHAFT
13	16661000	1	BUSHING
14	51240000	1	ROLL PIN
15	81019001	1	HANDWHEEL - SUB ASS'Y.
16	57414000	2	O-RING
17	15005000	184	.250 DIA. BRASS BALL
18	61222000	4	SET SCR SLT HD (BRASS)
19	47520001	1	NUT - LOCK
20	62806001	1	STUD - LOCK
21	42079001	1	KNOB - LOCK
22	51248000	1	ROLL PIN
23	61079000	6	CAP SCR HEX HD S/S
24	57481000	1	O-RING
25	51074000	2	DRIVE PIN
26	99271101	1	HANDLE SUB ASS'Y.
27	16388000	4	CAP SCREW S/S
28	16378000	4	CAP SCR EW S/S
29	44256000	1	LABEL _ CAUTION & OPEN (NOT SHOWN)
30	80450501	1	3.0" VALVE BODY SUB ASS'Y.
31	17904201	1	INLET BODY
32	61215100	2	SCREW - DRIVE S/S (NOT SHOWN)
33	44337500	1	LABEL SERIAL NUMBER (NOT SHOWN)



### STINGRAY 8393

ITEM #	PART #	QTY	DESCRIPTION
1	81019001	1	HANDWHEEL SUB ASS'Y.
2	16661000	1	BUSHING - HANDWHELL
3	64042001	1	HANDWHEEL SHAFT
4	51240000	1	ROLL PIN
5	63933001	1	GEAR- WORM
6	16666001	1	BUSHING - SHAFT
7	51256000	1	ROLL PIN
8	80964001	1	LOCK - HORZ
9A	15585001	1	BASE - 4" 150 # FLANGE
9B	15586001	1 (Opt)	BASE - 3" NPT
9C	15597001	1 (Opt)	BASE - 3" 150# FLANGE
10	31001000	2	FITTING - ALEMITE
11	80894001	1	BODY WELDMENT SUB ASS'Y.
12	61222000	4	SET SCR BRASS
13	28127001	1	ELBOW
14	15005000	184	BALL - .250 BRASS
15	57414000	2	O-RING
	61215100	4	SCREW DRIVE S/S (NOT SHOWN)
	44337000	1	LABEL SERIAL NUMBER (NOT SHOWN)

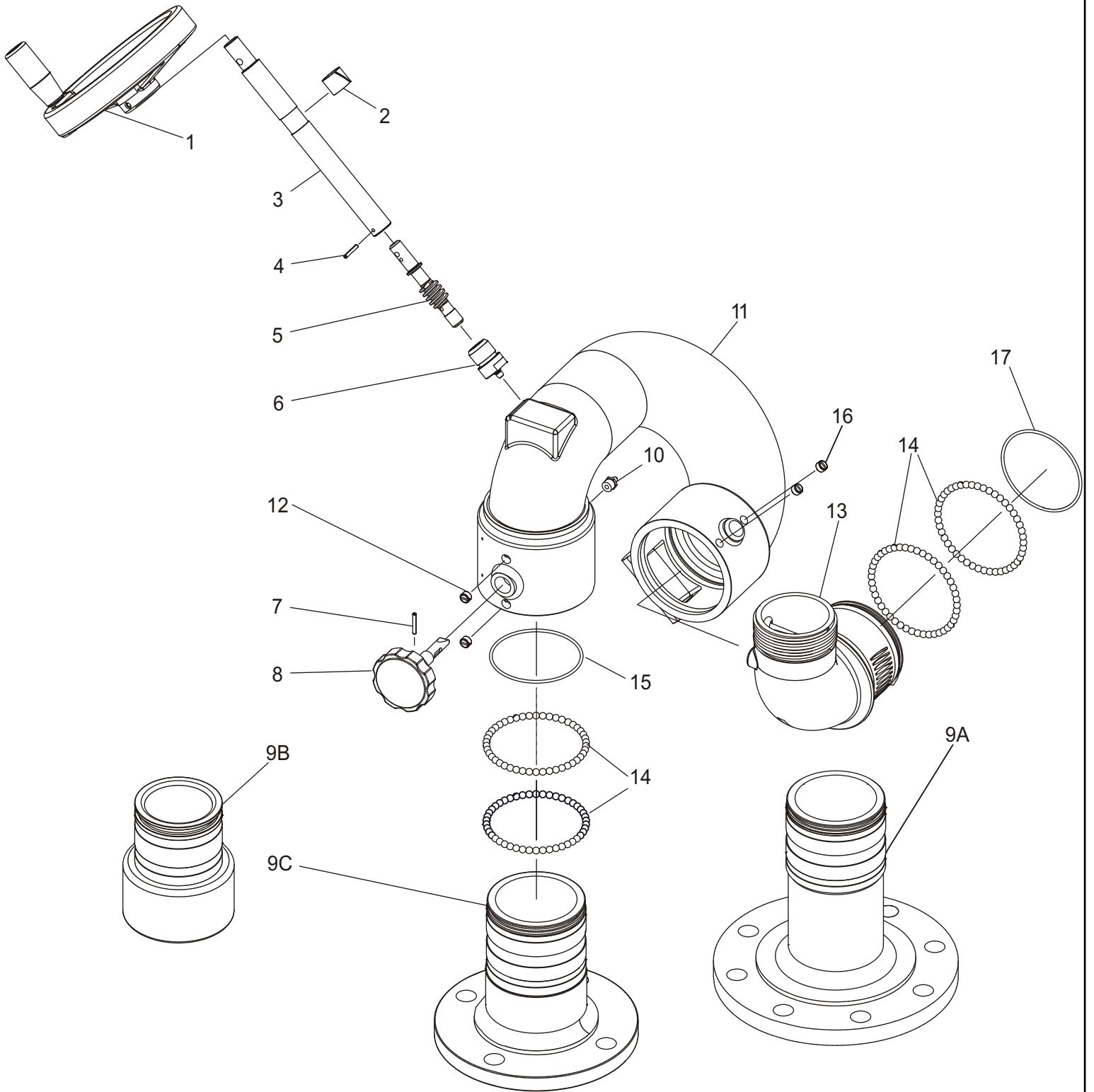


ELKHART BRASS MFG. CO., INC.  
ELKHART, INDIANA

THIS DRAWING CONTAINS INFORMATION THAT IS  
PROPRIETARY TO ELKHART BRASS MFG. CO., INC.  
AND MAY NOT BE USED TO PRODUCE ANY PARTS,  
ASSEMBLIES OR PRODUCTS DESCRIBED HEREIN  
WITHOUT EXPRESS WRITTEN PERMISSION.

STINGRAY 8393  
PAGE 4 OF 6  
01/2008

PART  
LIST



### STINGRAY 8393A (ELK-O-LITE)

ITEM #	PART #	QTY	DESCRIPTION
1	80987101	1	HANDWHEEL SUB ASS'Y.
2	16661000	1	BUSHING - HANDWHEEL
3	63928001	1	SHAFT - HANDWHEEL
4	51240000	1	ROLL PIN
5	63933001	1	GEAR - WORM
6	16670001	1	BUSHING - SHAFT
7	51256000	1	ROLL PIN
8	80799101	1	LOCK - HORZ
9A	15601001	1	BASE - 4" FLANGE
9B	15586001	1 (Opt)	BASE - 3" NPT
9C	15580001	1	BASE - 3" FLANGE
10	31001000	2	FITTING - ALEMITE
11	81234001	1	WELDMENT BODY SUB ASS'Y.
12	63674000	2	SLT SET SCR NYLON
13	28130001	1	ELBOW - DISCHARGE
14	15027000	184	BALL - .250 DIA SS
15	57414000	1	O-RING
16	63687000	2	SLT SET SCR NYLON
17	57416000	1	O-RING
	44242100	1	LABEL - SERIAL NUMBER (NOT SHOWN)
	51889000	1	PIPE PLUG (NOT SHOWN)
	52023001	1	PLUG FOR VALVE BODY (NOT SHOWN)



ELKHART BRASS MFG. CO., INC.  
ELKHART, INDIANA

THIS DRAWING CONTAINS INFORMATION THAT IS  
PROPRIETARY TO ELKHART BRASS MFG. CO., INC.  
AND MAY NOT BE USED TO PRODUCE ANY PARTS,  
ASSEMBLIES OR PRODUCTS DESCRIBED HEREIN  
WITHOUT EXPRESS WRITTEN PERMISSION.

STINGRAY 8393A  
PAGE 6 OF 6  
12/2007

PART  
LIST