

SECTION C-C
FULL SIZE

UPPER MONITOR SUB-ASSY
P/N 80790001

QTY	REF	DESCRIPTION	UNIT	REV
1	38	80922001	UPPER MONITOR SUB-ASSY	1
1	37	63674000	BY PAPER TIGHT WASHER	2
1	36	57414000	8.125-24 X 0.1886G SCRTD AD	2
1	35	15027000	BALLS- .250 O.D. X .5 S.S. 92	1
1	34	36301001	TWIST HANDLE	1
1	33	17354001	GRIP BRACKET	1
1	32	61040000	TOP SCREW #4(.086) DR .25 DP IN ASS'Y	2
1	31	61215000	SCREW #4(.086) DR .25 DP IN ASS'Y	2
1	30	63691000	SCREW #4(.086) DR .25 DP IN ASS'Y	1
1	29	80799101	HORIZ. LOCK SUB-ASS'Y	1
1	28	63688000	SCREW #4(.086) DR .25 DP IN ASS'Y	1
1	27	23511000	BRACKET COVER	1
1	26	80882001	TWIST LOCK SUB-ASS'Y	1
1	25	23038000	RELEASE CABLE	2
1	24	20036001	CAP-LATCH PIN	2
1	23	62151000	U-CUP SEAL	1
1	22	61789000	SPRING LATCH	2
1	21	15027000	TWIST HANDLE	2
1	20	67104000	CABLE GUIDE TUBE (RIGHT)	1
1	19	44246000	CAUTION LABEL	1
1	18	65926001	HANDWHEEL SHAFT	1
1	16	80787001	BUSHING (HANDWHEEL SHAFT)	1
1	15	13645000	HAND GRIP	1
1	14	80987001	HANDWHEEL SUB-ASS'Y 6.5"φ	1
1	13	51236000	WORM (STNLS STL)	1
1	12	63940001	WORM (STNLS STL)	1
1	11	131001000	WORM BUSHING	1
1	10	16670001	WORM BUSHING	1
1	9	67123000	TAC-CUT/ON/ SERIAL NO.	1
1	8	62122000	VERTICAL STOP SPRING	1
1	7	15051000	PULL RING	1
1	6	52076001	STOP PIN	1
1	5	20037001	RETAINER CAP	1
1	4	28126001	MONITOR ELBOW	1
1	3	39130000	PRESSURE GAUGE	1
1	2	67105000	CABLE GUIDE TUBE (LEFT)	1
1	1	61270000	SET SCREW #4(.086) DR .25 DP IN ASS'Y	6

REV	DESCRIPTION	DATE	BY	CHK
K	15126000 DEL. 5126000			
J	15126000 DEL. 5126000			
I	15126000 DEL. 5126000			
H	15126000 DEL. 5126000			
G	15126000 DEL. 5126000			
F	15126000 DEL. 5126000			
E	15126000 DEL. 5126000			
D	15126000 DEL. 5126000			
C	15126000 DEL. 5126000			
B	15126000 DEL. 5126000			
A	15126000 DEL. 5126000			

REV	DESCRIPTION	DATE	BY	CHK
D	P/N 80922001 ADDED			
C	P/N 80882001 WAS 51118001			
B	ADDED CHECK NOTE			
A	RELEASED BY USER AS AVAILABLE			
	RELEASED TO PROD.			

REV	DESCRIPTION	DATE	BY	CHK
D	P/N 80922001 ADDED			
C	P/N 80882001 WAS 51118001			
B	ADDED CHECK NOTE			
A	RELEASED BY USER AS AVAILABLE			
	RELEASED TO PROD.			

REV	DESCRIPTION	DATE	BY	CHK
D	P/N 80922001 ADDED			
C	P/N 80882001 WAS 51118001			
B	ADDED CHECK NOTE			
A	RELEASED BY USER AS AVAILABLE			
	RELEASED TO PROD.			

REV	DESCRIPTION	DATE	BY	CHK
D	P/N 80922001 ADDED			
C	P/N 80882001 WAS 51118001			
B	ADDED CHECK NOTE			
A	RELEASED BY USER AS AVAILABLE			
	RELEASED TO PROD.			

REV	DESCRIPTION	DATE	BY	CHK
D	P/N 80922001 ADDED			
C	P/N 80882001 WAS 51118001			
B	ADDED CHECK NOTE			
A	RELEASED BY USER AS AVAILABLE			
	RELEASED TO PROD.			

REV	DESCRIPTION	DATE	BY	CHK
D	P/N 80922001 ADDED			
C	P/N 80882001 WAS 51118001			
B	ADDED CHECK NOTE			
A	RELEASED BY USER AS AVAILABLE			
	RELEASED TO PROD.			

REV	DESCRIPTION	DATE	BY	CHK
D	P/N 80922001 ADDED			
C	P/N 80882001 WAS 51118001			
B	ADDED CHECK NOTE			
A	RELEASED BY USER AS AVAILABLE			
	RELEASED TO PROD.			

REV	DESCRIPTION	DATE	BY	CHK
D	P/N 80922001 ADDED			
C	P/N 80882001 WAS 51118001			
B	ADDED CHECK NOTE			
A	RELEASED BY USER AS AVAILABLE			
	RELEASED TO PROD.			

Upper

STINGER 8297

INDEX #	PART #	QTY	DESCRIPTION
1	61270000	6	Set Screw S/S
2	67105000	1	Cable Guide Tube (Left)
3	39130000	1	Pressure gauge
4	28126001	1	Monitor Elbow
5	20037001	1	Retainer Cap
6	52076001	1	Stop Pin
7	59051000	1	Pull Ring
8	62122000	1	Vertical Stop Spring
9	67123000	1	Tag
10	16670001	1	Worm Bushing
11	31001000	1	Alemite Fitting
12	63940001	1	Worm S/S
13	51236000	1	Roll Pin
14	80987001	1	Handwheel Subassembly
15	33645000	1	Hand Grip
16	80787001	1	Body Weldment Subassembly
17	16661000	1	Bushing
18	63928001	1	Handwheel Shaft
19	44246000	1	Label -Caution
20	67104000	1	Cable Guide Tube (Right)
21	52075001	1	Latch Pin
22	61789000	2	Spring - Latch
23	62151000	1	U-Cup Seal
24	20036001	1	Cap - Latch Pin
25	23038000	2	Release Cable
26	80882001	2	Twist Lock Subassembly
27	23511000	1	Bracket Cover
28	63689000	1	Set Screw S/S
29	80799101	1	Horizontal Lock Assembly
30	63691000	1	Set Screw S/S
31	61215000	2	Self Tapping Screw S/S
32	61040000	2	Cap Screw
33	17354001	1	Grip Bracket
34	36301001	1	Twist Handle
35	15027000	92	.250 Ball S/S
36	57414000	1	O-Ring
37	63674000	2	Set Screw S/S
38	80992001	1	Instruction Plate and Drawing



ELKHART BRASS MFG. CO., INC.
ELKHART, INDIANA

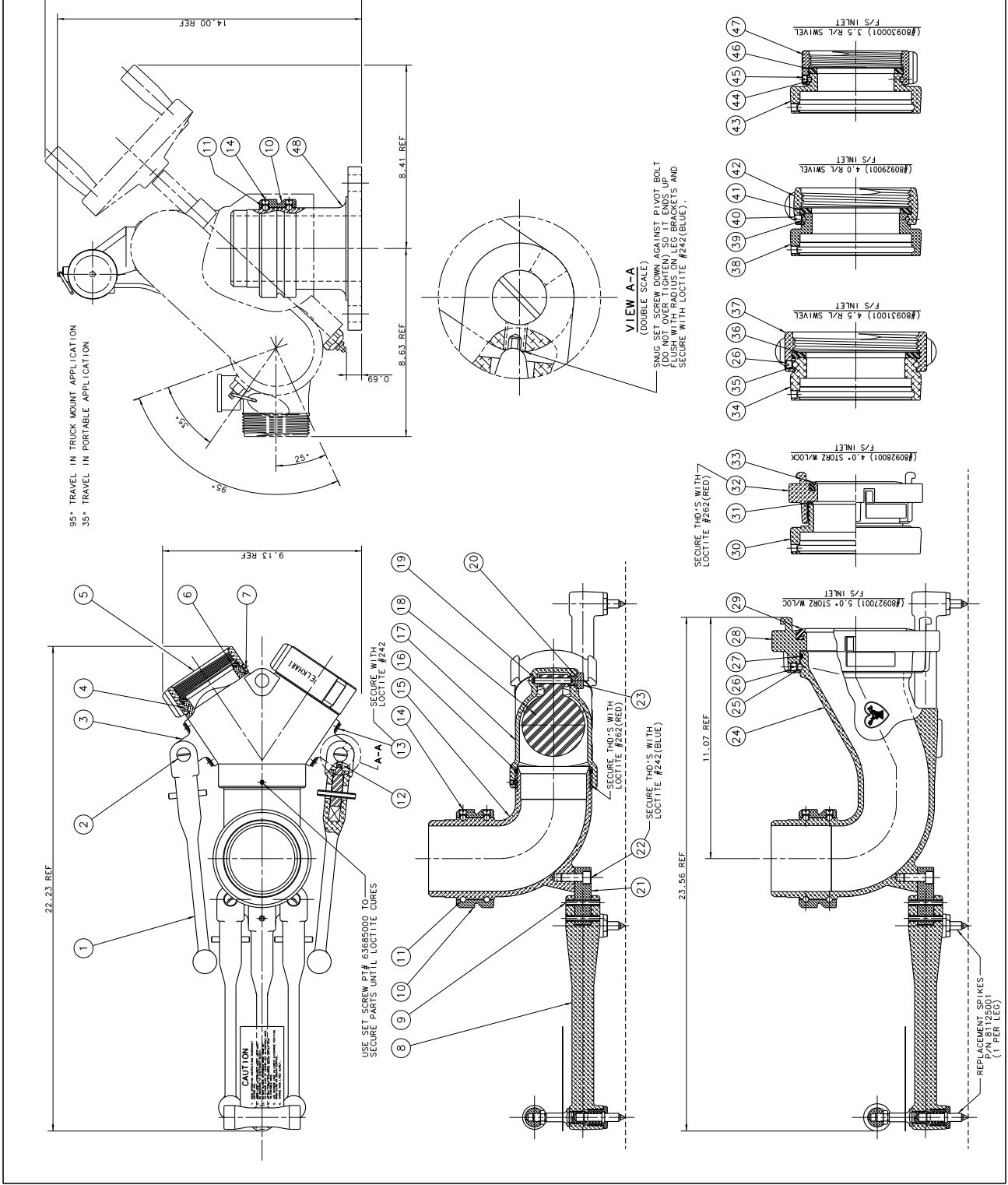
THIS DRAWING CONTAINS INFORMATION THAT IS
PROPRIETARY TO ELKHART BRASS MFG. CO., INC.
AND MAY NOT BE USED TO PRODUCE ANY PARTS,
ASSEMBLIES OR PRODUCTS DESCRIBED HEREIN
WITHOUT EXPRESS WRITTEN PERMISSION.

STINGER 8297
PAGE 2 OF 4
01/2009

UPPER
PART
LIST

SHEET 2 OF 2

NO.	PART NO.	PART NAME	REV.
48	15580001	BASE MOUNT W/LOC. F.F. (1 AMSE)	1
47	63018001	SWIVEL-BG-R/L (1.5" NHT)	1
46	33186000	SPRINGER-CASSET (NHT)	1
45	63686000	ELBOW-BASE (1.5" DIA. S/S)	1
44	15018000	BALLS--187 DIA. S/S	71
43	11659001	5/16" FEM. X 1/2" B/G. W/A	1
42	63019001	SWIVEL-B/G R/L (4" NHT)	1
41	33177000	8.75" DIA. S/S X 1.00" L. 250-TNK	1
40	63676000	8.75" DIA. S/S X 1.00" L. 250-TNK	1
39	15018000	BALLS--187 DIA. S/S	79
38	11656001	ADAPTER-F/S STORZ 5" (W/LOC)	1
37	63084001	SWIVEL-BG R/L (14.5" NHT)	1
36	33180000	CASSET-SPRNG (NHT)	1
35	15027000	8.75" DIA. S/S X 1.00" L. 250-TNK	69
34	11657001	4" 8/19" FEM. W/LOC (W/LOC)	1
33	61201000	SEAT (4" STORZ)	1
32	11668000	4" 8/19" FEM. W/LOC (W/LOC)	1
31	33260000	8.75" DIA. S/S X 1.25" L. 125-TNK	1
30	11655001	8/19" FEM. X 1/2" B/G. W/A	1
29	61202000	SEAT (5" STORZ)	1
28	11671000	ADAPTER-F/S STORZ 5" (W/LOC)	1
27	57403000	RING-O. X 1.5" (AS-588-748)	1
26	63675000	SPRNG-SH. (BLACK TELEON)	1
25	15027000	8.75" DIA. S/S X 1.00" L. 250-TNK	64
24	28172001	ELBOW-BASE L.D.H. (INLET)	1
23	16413000	BOLT-CLAPPER PTN	1
22	63793000	8.75" DIA. S/S X 1.00" L. 250-TNK	2
21	17356001	BRACKET-LEG (FRONT)	1
20	57446000	RING-O. X 0.138" C/S	1
19	52111001	PIN-CLAPPER	1
18	20503000	CLAPPER (MOLDED URETHANE)	1
17	16121001	BODY-SI AMESE	1
16	57312000	RING-O. X 0.138" C/S	1
15	28167001	ELBOW-BASE (SI AMESE)	1
14	63687000	SPRNG-SH. (BLACK TELEON)	2
13	63794000	8.75" DIA. S/S X 1.00" L. 250-TNK	4
12	63677000	8.75" DIA. S/S X 1.00" L. 250-TNK	4
11	15027000	BALLS--250 DIA. S/S	92
10	15195001	SWIVEL-BASE	2
9	51240000	7/16" DIA. S/S X 1.00" L. 250-TNK	2
8	81110001	LOADED SPRING SHANK	2
7	63674000	8.75" DIA. S/S X 1.00" L. 250-TNK	2
6	33083000	CASSET-SPRNG (NHT)	2
5	63068001	SWIVEL-DVR-R/L (2.5" NHT)	2
4	15018000	BALLS--187 DIA. S/S	104
3	17355001	BRACKET-LEG (REAR)	2
2	63705001	SPRNG-SH. (BLACK TELEON)	4
1	81111001	LOADED SPRING SHANK	4



Lower

STINGER 8297

INDEX #	PART #	QTY	DESCRIPTION
1	81111001	4	Outer Leg Assembly
2	63705001	4	Screw - Pivot
3	17355001	2	Bracket - Leg (Rear)
4	15018000	104	.187 Ball S/S
5	63069001	2	2.5" NHT Swivel
6	33083000	2	Gasket - Rubber
7	63674000	2	Set Screw
8	81110001	1	Center Leg Assembly
9	51240000	2	Pin - Roll
10	15195001	1	Swivel - Base
11	15027000	92	.250 Ball S/S
12	63677000	4	Set Screw
13	63794000	4	Cap Screw S/S
14	63687000	2	Set Screw
15	28167001	1	Elbow - Base (Siamese)
16	57312000	1	O-Ring
17	16121001	1	Body - Siamese
18	20503000	1	Clapper
19	52111001	1	Pin - Clapper
20	57446000	1	O-Ring
21	17356001	1	Bracket - Leg (Front)
22	63793000	2	Cap Screw S/S
23	16413001	1	Bolt - Clapper Pin
24	28172001	1	Elbow - Base
25	15027000	64	.250 Ball S/S
26	63675000	1	Set Screw
27	57403000	1	O-Ring
28	11671000	1	5" Storz Adapter
29	61202000	1	5" Storz Seat
30	11655001	1	Adapter
31	33260000	1	Gasket - Rubber
32	11668000	1	4" Storz Adapter
33	61201000	1	4" Storz Seat
34	11657001	1	Adapter
35	15027000	69	.250 Ball S/S
36	33180000	1	Gasket - Rubber
37	63084001	1	4.5" NHT Swivel
38	11656001	1	Adapter
39	15018000	79	.187 Ball S/S
40	63676000	1	Set Screw
41	33177000	1	Gasket - Rubber
42	63019001	1	4" NHT Swivel
43	11659001	1	Adapter
44	15018000	71	.187 Ball S/S
45	63688000	1	Set Screw
46	33186000	1	Gasket - Rubber
47	63018001	1	3.5" NHT Swivel
48	15580001	1	Monitor Base



ELKHART BRASS MFG. CO., INC.
ELKHART, INDIANA

THIS DRAWING CONTAINS INFORMATION THAT IS
PROPRIETARY TO ELKHART BRASS MFG. CO., INC.
AND MAY NOT BE USED TO PRODUCE ANY PARTS,
ASSEMBLIES OR PRODUCTS DESCRIBED HEREIN
WITHOUT EXPRESS WRITTEN PERMISSION.

STINGER 8297
PAGE 4 OF 4
04/2008

LOWER
PART
LIST