
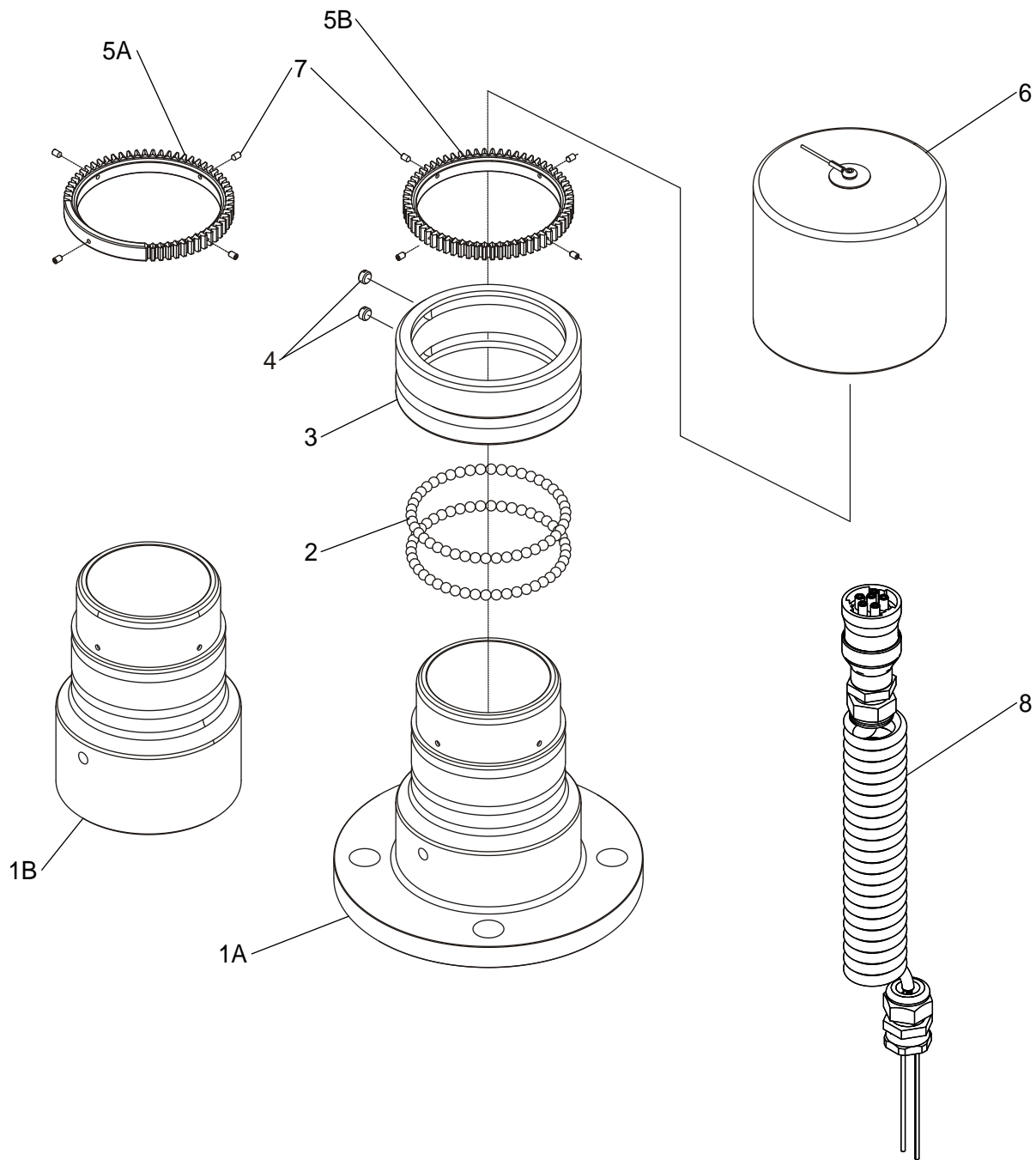


**STINGER RF 8297RF**

INDEX #	PART #	QTY	DESCRIPTION	INDEX #	PART#	QTY	DESCRIPTION
1	61169000	1	Cap Screw	51	33406001	1	Cable Guide Assy (Long)
2	23576000	2	.312 Dia Loop Clamp	52	57481000	1	O-Ring
3	28178001	1	Discharge Elbow	53	57590000	1	Retaining Ring
4	46054000	1	Magnet	54	17880001	1	Handwheel Shaft Bushing
5	15027000	92	.250 Dia Ball S/S	55	62125000	1	Spring
6	57414000	1	O-Ring	56	23603001	1	Twist Lock Cap
7	64073000	5	Cap Screw	57	59051000	1	Pull Ring
8	65103001	2	Sensor	58	44375000	1	Latch Pin Warning Label (Not Shown)
9	64077000	1	Cap Screw	59	61079000	6	Cap Screw
10	63688000	2	Set Screw	60	18203001	1	Inlet Body
11	17769001	1	Outlet Body	61	51232000	2	Roll Pin
12	17871001	1	Worm Shaft Bushing	62	44508000	1	Knob Label (Not Shown)
13	31001000	1	Grease Zerk	63	42030001	1	Knob
14	65700000	1	Spring	64	18302000	2	Bearing
15	71523000	4	Thrust Washer	65	63795000	4	Cap Screw
16	15698000	2	Thrust Bearing	66	23594001	1	Left-Right Worm Case
17	65653001	1	Worm	67	51122000	2	Grooved Pin
18	64056001	1	Adapter Shaft	68	33789001	1	Left-Right Worm Gear
19	61275000	2	Set Screw	69	71516000	2	Thrust Washer
20	33696000	2	Miter Gear	70	17702000	1	Thrust Bearing
21	51247000	3	Roll Pin	71	65652900	1	Worm Shaft
22	81119001	1	Electric Motor Assy	72	36843000	1	Motor Harness
23	61046000	6	Cap Screw	73	81459901	1	Electric Motor w/ Encoder Assy
24	71515000	2	Thrust Washer	74	46050000	1	Magnet
25	17701000	1	Thrust Bearing	75	62150000	1	Spring
26	17879000	1	Adapter Shaft Bushing	76	64057001	1	Safety Interlock Shaft
27	23592001	1	Bevel Gearcase	77	59058000	1	Horizontal Rotation Bearing
28	67185000	1	Miter Gear Support Tube	78	51074000	2	Drive Pin
29	24302001	1	Miter Gear Drive Coupling	79	62153000	1	U-Cup Seal
30	52120001	1	Push Pin	80	65566001	1	Pinion Shaft Spacer
31	62186000	1	Miter Gear Trap Tube	81	62149000	1	Spring
32	64054001	1	Shaft - Gearcase Extension	82	33788001	1	Self Aligning Pinion Gear
33	31011100	1	Grease Zerk	83	64053001	1	Worm Gear / Pinion Shaft
34	18351000	2	Connector Bracket	84	71520000	1	Thrust Washer
35	64074000	4	Cap Screw	85	61040000	2	Cap Screw
36	16661000	1	Handwheel Shaft Bushing	86	23589001	1	Pinion Case
37	64055001	1	Handwheel Shaft	87	23602000	2	Latch Pin Cap
38	51249000	1	Roll Pin	88	61789000	2	Latch Pin Spring
39	81431001	1	Handle Assembly	89	65209000	2	Set Screw
40	44517000	1	Handle Label (Not Shown)	90	52662000	2	Latch Pin
41	52080000	1	Pull Pin	91	23049000	1	Cable (Not Shown)
42	17679000	1	Twist Lock Body	92	23038000	1	Cable (Not Shown)
43	23537000	1	Twist Bracket Cover	93	65127000	4	Cap Screw
44	61215000	2	Screw	94	81424501	1	Receiver and Battery Assy
45	61270000	4	Set Screw	95	61212000	4	Cap Screw
46	61041000	2	Cap Screw	96	17850001	2	Bracket
47	17706000	2	Twist Handle Bearing	97	17825001	1	Grip Bracket
48	36302001	1	Twist Release Handle	98	57438000	2	O-Ring
49	33645000	1	Twist Grip	99	17605000	1	12V DC Battery (Not Shown)
50	33405001	1	Cable Guide Assy (Short)	100	03476001	1	Stream Shaper

 <b>ELKHART BRASS MFG. CO., INC.</b> ELKHART, INDIANA	
<small>THIS DRAWING CONTAINS INFORMATION THAT IS PROPRIETARY TO ELKHART BRASS MFG. CO., INC. AND MAY NOT BE USED TO PRODUCE ANY PARTS, ASSEMBLIES OR PRODUCTS DESCRIBED HEREIN WITHOUT EXPRESS WRITTEN PERMISSION.</small>	
STINGER RF 8297RF PAGE 2 OF 6 10/2008	UPPER PART LIST



### STINGER RF 8297RF

INDEX #	PART #	QTY	DESCRIPTION
1A	17958001	1	Base - 3" 150# FLANGE
1B	17959001	1	Base - 3" NPT
2	15036000	92	.250 Dia Torlon Ball
3	15195001	1	Swivel Ring
4	63687000	2	Set Screw
5A	33791001	1	Ring Gear (270 Degree)
5B	33787001	1	Ring Gear (360 Degree Opt)
6	81497001	1	Assy - Protective Cover
7	65212000	4	Set Screw
8	36846000	1	Harness - Power

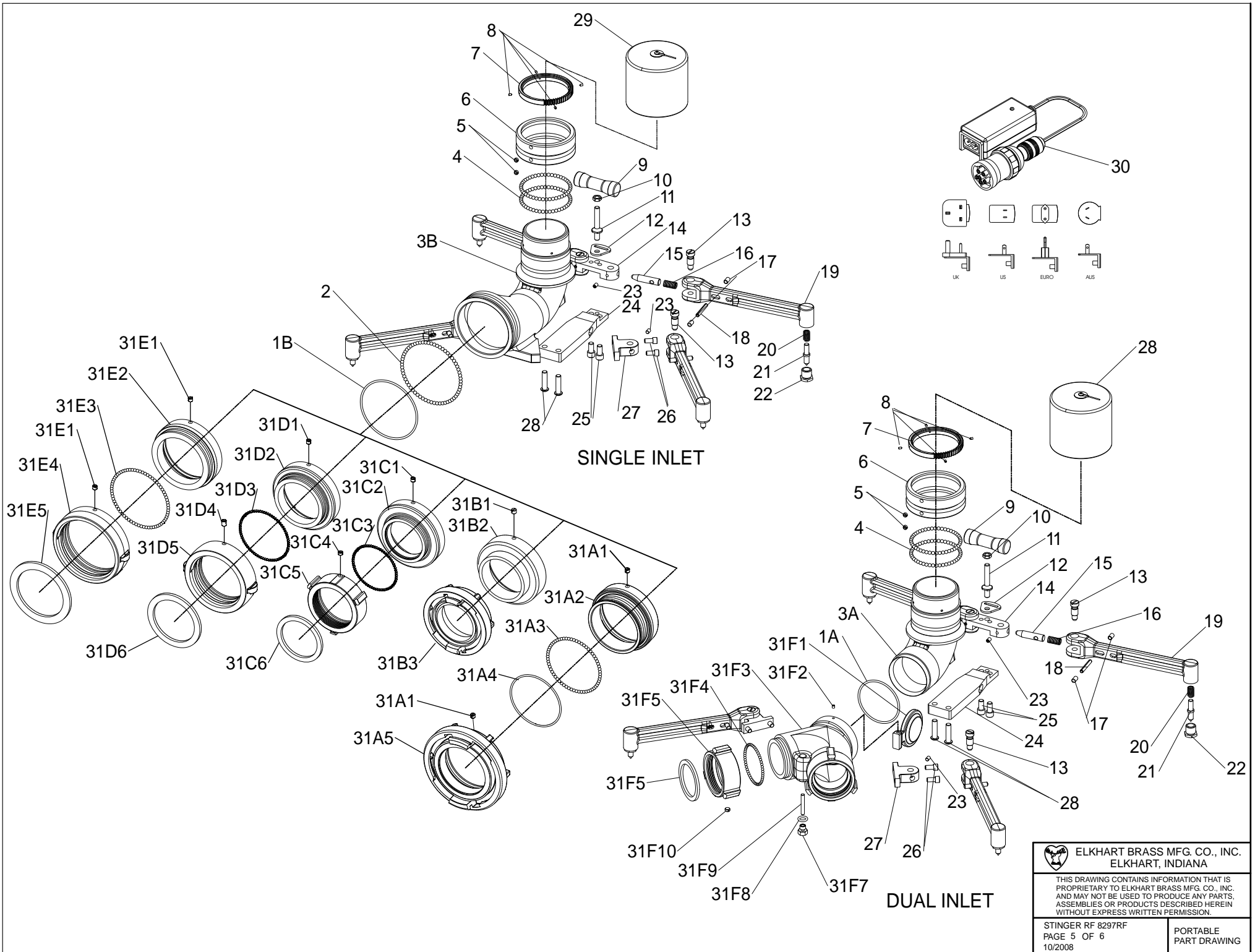


ELKHART BRASS MFG. CO., INC.  
ELKHART, INDIANA

THIS DRAWING CONTAINS INFORMATION THAT IS  
PROPRIETARY TO ELKHART BRASS MFG. CO., INC.  
AND MAY NOT BE USED TO PRODUCE ANY PARTS,  
ASSEMBLIES OR PRODUCTS DESCRIBED HEREIN  
WITHOUT EXPRESS WRITTEN PERMISSION.

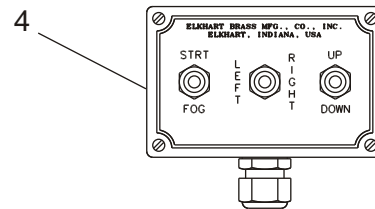
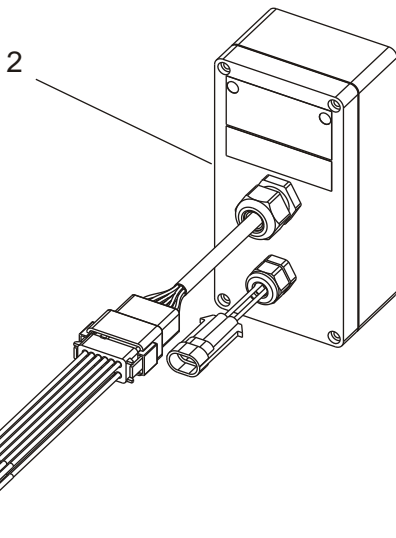
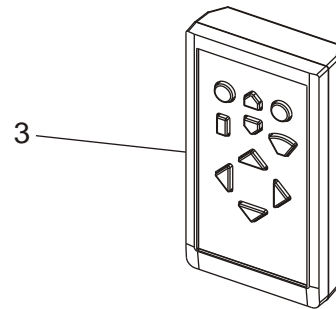
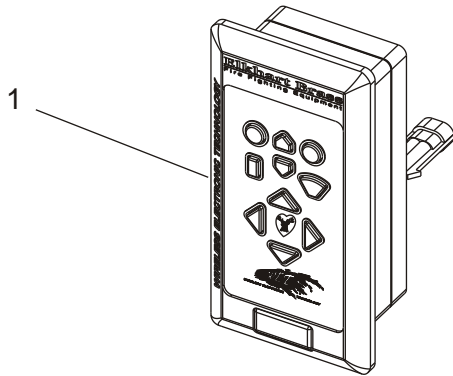
STINGER RF 8297RF  
PAGE 4 OF 6  
03/2008

TRUCK MOUNT  
PART  
LIST



## STINGER RF 8297RF

INDEX #	PART #	QTY	DESCRIPTION	INDEX #	PART #	QTY	DESCRIPTION
1A	57403000	1	O-Ring (All Single Inlets)	31A1	63675000	1	Set Screw (5" Storz)
1B	57312000	1	O-Ring (Dual Inlet)	31A2	11737001	1	Adapter (5" Storz)
2	15027000	64	.250 Dia Ball S/S	31A3	15027000	64	.250 Dia Ball S/S (5" Storz)
3A	28179001	1	Elbow Base (All Single Inlet)	31A4	57403000	1	O-Ring (5" Storz)
3B	28177001	1	Base Elbow (Dual Inlet)	31A5	11671000	1	5" Storz Adapter (5" Storz)
4	15036000	92	.250 Dia Ball Torlon	31B1	63675000	1	Set Screw (4" Storz)
5	63687000	2	Set Screw	31B2	11655001	1	Adapter (4" Storz)
6	15195001	1	Swivel Ring	31B3	11668000	1	4" Storz Adapter (4" Storz)
7	33790001	1	Ring Gear	31C1	63675000	1	Set Screw (3.5" NHT)
8	65212000	4	Set Screw	31C2	11776001	1	Adapter (3.5" NHT)
9	36723001	1	Handle	31C3	15018000	71	.188 Dia S/S Ball (3.5" NHT)
10	47701000	1	Hex Jam Nut	31C4	63688000	1	Set Screw (3.5" NHT)
11	36249001	1	Handle Shaft	31C5	63018001	1	3.5" R/L Swivel (3.5" NHT)
12	81404001	1	Safety Strap Assy	31C6	33186000	1	Rubber Gasket (3.5" NHT)
13	63705001	4	Pivot Screw	31D1	63675000	1	Set Screw (4" NHT)
14	17848001	1	Front Bracket	31D2	11656001	1	Adapter (4" NHT)
15	52663000	4	Leg Lock Pin	31D3	15018000	79	.188 Dia S/S Ball (4" NHT)
16	62121000	4	Coil Spring	31D4	63676000	1	Set Screw (4" NHT)
17	23543000	8	Pin Cover	31D5	63019001	1	4" R/L Swivel (4" NHT)
18	51260000	4	Roll Pin	31D6	33177000	1	Rubber Gasket (4" NHT)
19	44035001	4	Outer Leg	31E1	63675000	1	Set Screw (4.5" NHT)
20	62132000	4	Coil Spring	31E2	11657001	1	Adapter (4.5" NHT)
21	81125001	4	Ground Spike Assy	31E3	15027000	69	.250 Dia Ball S/S (4.5" NHT)
22	57022001	4	Ground Spike Retainer	31E4	63084001	1	4.5" R/L Swivel (4.5" NHT)
23	63677000	4	Set Screw	31E5	33180000	1	Rubber Gasket (4.5" NHT)
24	18352001	1	Front Leg Extension Bracket	31F1	20503000	1	Clapper (2.5" Dual NHT)
25	64109000	2	Cap Screw (All Single Inlet)	31F2	63685000	1	Set Screw (2.5" Dual NHT)
25	63798000	2	Cap Screw (Dual Inlet)	31F3	16121001	1	Siamese Body (2.5" Dual NHT)
26	63794000	4	Cap Screw	31F4	15018000	104	.188 Dia S/S Ball (2.5" Dual NHT)
27	17355001	2	Leg Bracket	31F5	63069001	2	2.5" R/L Swivel (2.5" Dual NHT)
28	64111000	2	Cap Screw	31F6	33083000	2	Rubber Gasket (2.5" Dual NHT)
29	81497001	1	Protective Cover Assembly	31F7	16413001	1	Clapper Pin Bolt (2.5" Dual NHT)
30	52557000	1	Power Supply AC-DC 15V/15Watt	31F8	57446000	1	O-Ring (2.5" Dual NHT)
				31F9	52111001	1	Clapper Pin Bolt (2.5" Dual NHT)
				31F10	63674000	2	Set Screw (2.5" Dual NHT)



ELKHART BRASS MFG. CO., INC.  
ELKHART, INDIANA

THIS DRAWING CONTAINS INFORMATION THAT IS  
PROPRIETARY TO ELKHART BRASS MFG. CO., INC.  
AND MAY NOT BE USED TO PRODUCE ANY PARTS,  
ASSEMBLIES OR PRODUCTS DESCRIBED HEREIN  
WITHOUT EXPRESS WRITTEN PERMISSION.

STINGER RF  
PAGE 1 OF 2  
07/2008

CONTROLS  
PART  
DRAWING

**STINGER RF 8294RF  
CONTROLS**

<b>INDEX #</b>	<b>PART #</b>	<b>DESCRIPTION</b>
1	81327111	Primary Panel Mount Transmitter (STD)
1	81327201	Secondary Panel Mount Transmitter
2	81353101	Primary OEM Transmitter
2	81353201	Secondary OEM Transmitter
3	81282001	Hand held Transmitter (STD)
4	81549001	Switch Box



ELKHART BRASS MFG. CO., INC.  
ELKHART, INDIANA

THIS DRAWING CONTAINS INFORMATION THAT IS  
PROPRIETARY TO ELKHART BRASS MFG. CO., INC.  
AND MAY NOT BE USED TO PRODUCE ANY PARTS,  
ASSEMBLIES OR PRODUCTS DESCRIBED HEREIN  
WITHOUT EXPRESS WRITTEN PERMISSION.

STINGER RF  
PAGE 2 OF 2  
12/2011

CONTROLS  
PART  
LIST