
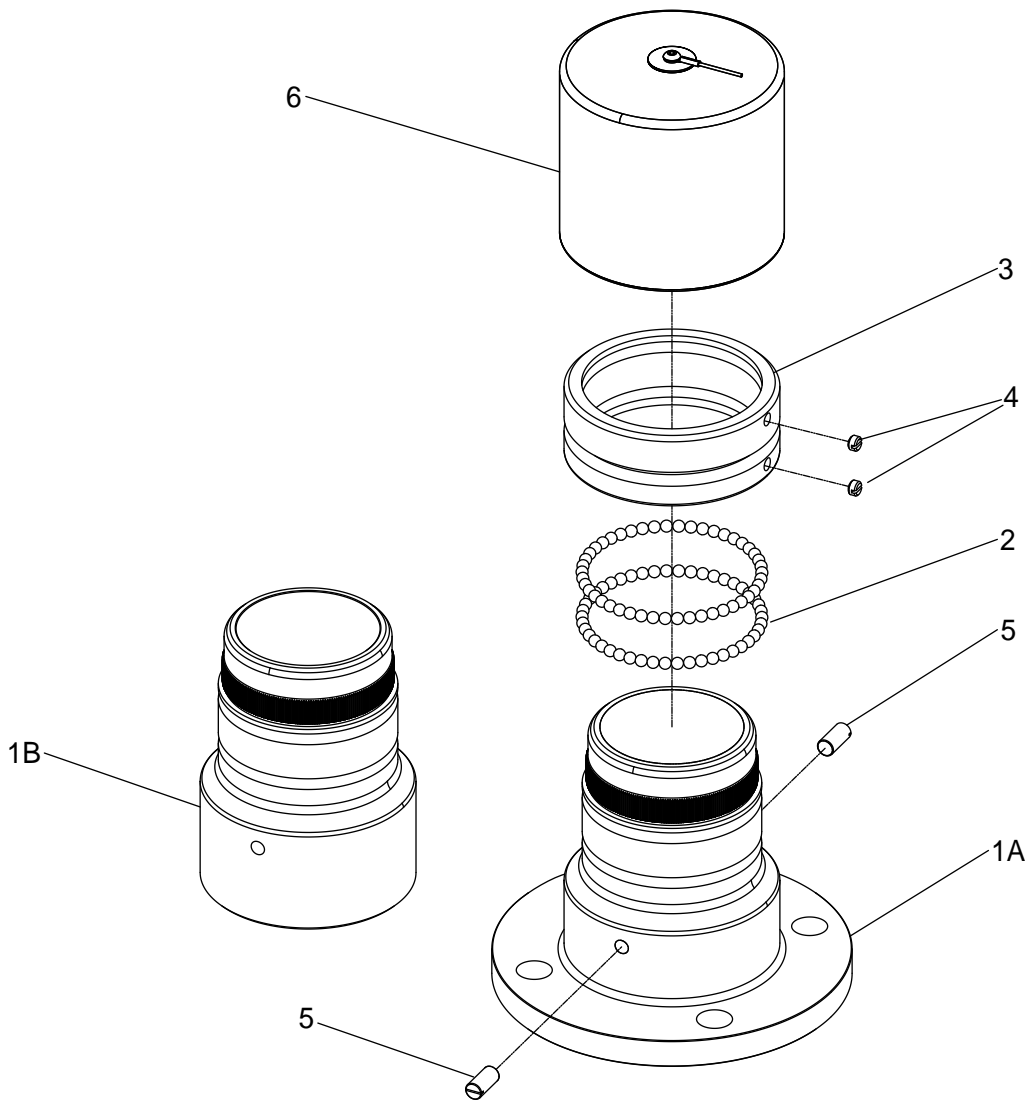


STINGER 2.0 8297 2.0

INDEX #	PART #	QTY	DESCRIPTION	INDEX #	PART #	QTY	DESCRIPTION
1	59051000	2	Pull Ring (S/S)	30	51074000	2	Drive Lock Pin
2	23603001	1	Twist Lock Cap	31	61079000	6	Cap Screw
3	62125000	1	Coil Spring	32	52018000	1	Cap Plug
4	52080000	1	Pull Pin	33	16430001	1	Swivel Bolt
5	17679000	1	Twist Lock Body	34	16687000	2	Spinner Bushing
6	61215000	2	Pan Head Screw	35	36703101	1	Spinner Handle
7	33645000	1	Hand Grip	36	71235101	1	Handwheel (Black)
8	36302001	1	Twist Grip Handle	37	51240000	1	Roll Pin
9	61270000	4	Set Screw	38	16661000	1	Handwheel Shaft Bushing
10	17706000	2	Twist Handle Bearing	39	63949001	1	Handwheel Shaft
11	23537000	1	Bracket Cover	40	51236000	1	Roll Pin
12	17825001	1	Twist Grip Bracket	41	52628000	1	Horizontal Lock Plug
13	61041000	2	Cap Screw	42	44405001	1	Cam Lock Lever
14	33405001	1	Cable Guide (Short)	43	61818000	1	Torsion Spring
15	33406001	1	Cable Guide (Long)	44	51251000	1	Roll Pin
16	20037101	1	Vertical Stop Cap	45	62153000	1	U-Cup Seal
17	62122000	1	Vertical Stop Spring	46	59058000	1	Horizontal Rotation Bearing
18	52076000	1	Vertical Stop Pin	47	51134000	1	Pivot Pin
19	63688000	2	Set Screw	48	57629000	2	Retaining Ring
20	17678001	1	Outlet Body	49	17677001	1	Inlet Body
21	23544000	1	Pressure Gauge Cover	50	23038000	1	Release Cable 15" Short
22	39130000	1	Gauge	51	23049000	1	Release Cable 18" Long
23	28130001	1	Discharge Elbow	52	52662000	2	Latch Pin
24	57414000	1	O-Ring	53	61789000	2	Latch Spring
25	63940001	1	Worm Shaft	54	23602001	2	Latch Pin Cap
26	15027000	92	0.250 Ball (S/S)	55	65209000	2	Set Screw
27	17871001	1	Worm Shaft Bushing	56	44374000	1	Identification Label (Not Shown)
28	31001000	1	Grease Fitting	57	44375000	1	Latch Pin Warning Label (Not Shown)
29	57481000	1	O-Ring	58	44376000	1	Vertical Stop Warning Label (Not Shown)

Assembly #1 81271001
 Assembly #2 81002101

 ELKHART BRASS MFG. CO., INC. ELKHART, INDIANA	
<small>THIS DRAWING CONTAINS INFORMATION THAT IS PROPRIETARY TO ELKHART BRASS MFG. CO., INC. AND MAY NOT BE USED TO PRODUCE ANY PARTS, ASSEMBLIES OR PRODUCTS DESCRIBED HEREIN WITHOUT EXPRESS WRITTEN PERMISSION.</small>	
STINGER 2.0 8297 2.0 PAGE 2 OF 6 03/2008	UPPER PART LIST



STINGER 2.0 8297 2.0

INDEX #	PART #	QTY	DESCRIPTION
1A	15617001	1	Base - 3" 150# Flange
1B	15618001	1	Base - 3" NPT (Opt)
2	15027000	92	.250 S/S Ball
3	15195001	1	Swivel Ring
4	63687000	2	Set Screw
5	51096001	2	Guide Pin
6	81497001	1	Assy Protective Cover

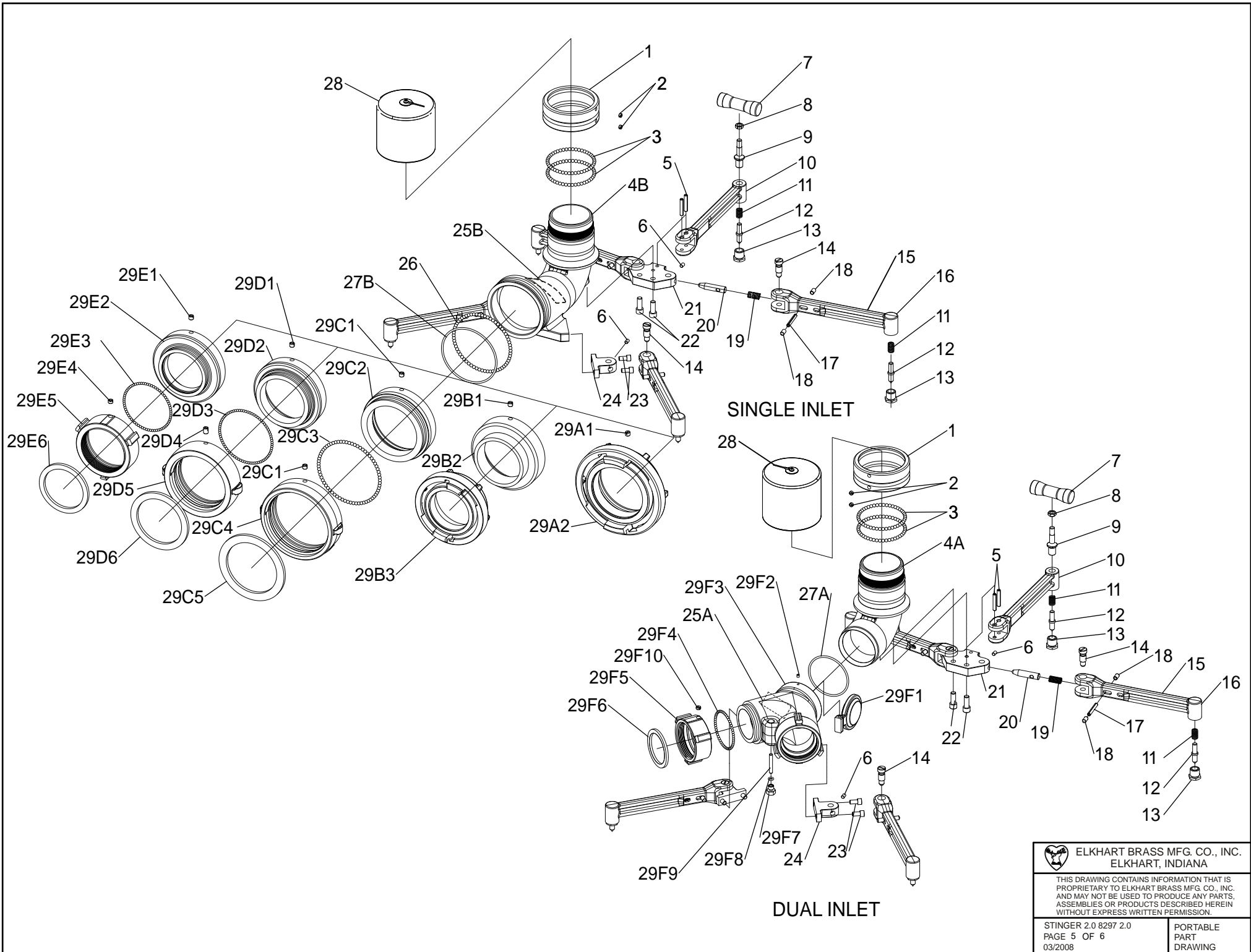


ELKHART BRASS MFG. CO., INC.
ELKHART, INDIANA

THIS DRAWING CONTAINS INFORMATION THAT IS
PROPRIETARY TO ELKHART BRASS MFG. CO., INC.
AND MAY NOT BE USED TO PRODUCE ANY PARTS,
ASSEMBLIES OR PRODUCTS DESCRIBED HEREIN
WITHOUT EXPRESS WRITTEN PERMISSION.


STINGER 2.0 8297 2.0
PAGE 4 OF 6
03/2008

TRUCK MOUNT
PART
LIST



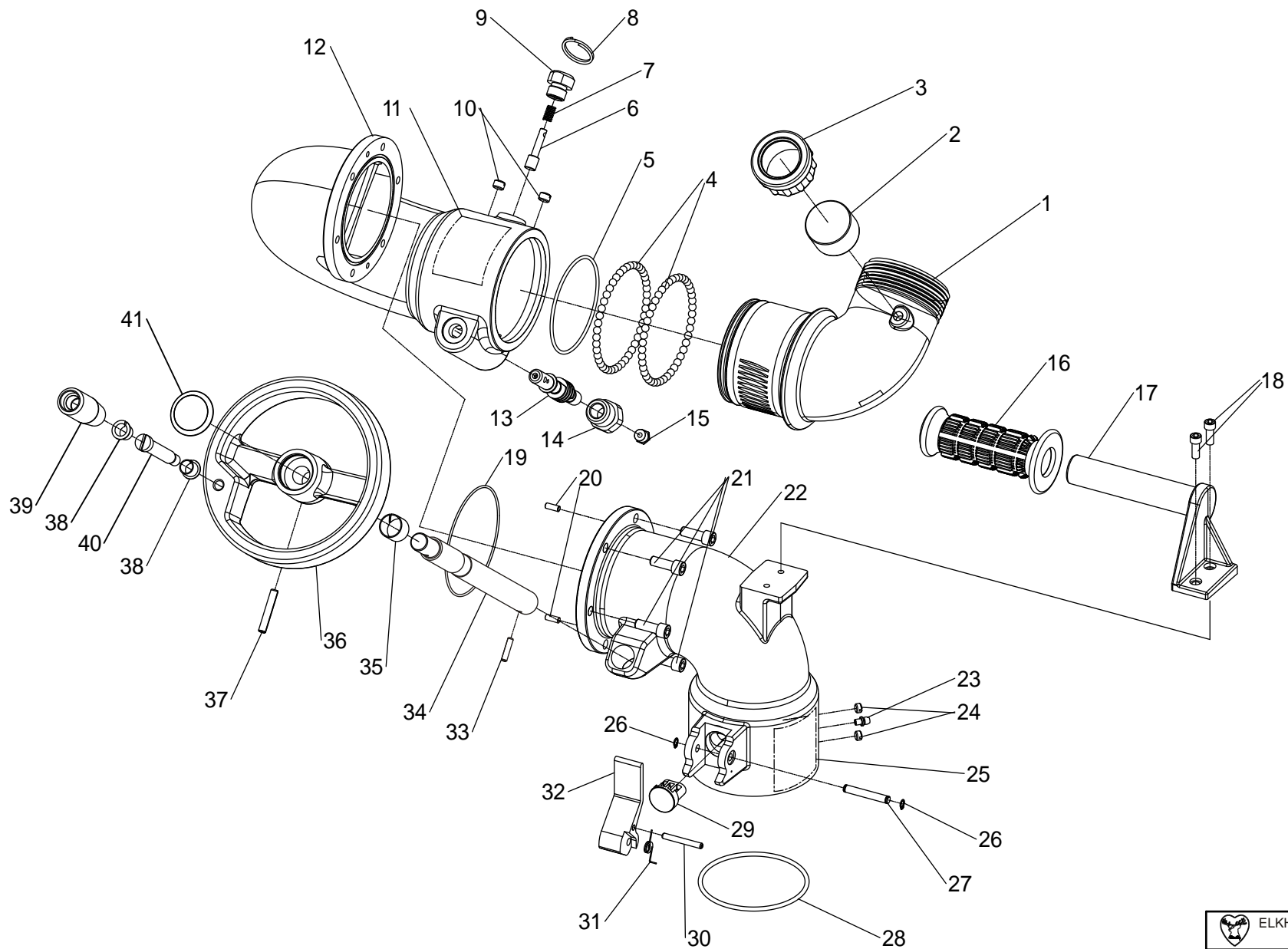
SINGLE INLET


DUAL INLET

 ELKHART BRASS MFG. CO., INC. ELKHART, INDIANA	
<small>THIS DRAWING CONTAINS INFORMATION THAT IS PROPRIETARY TO ELKHART BRASS MFG. CO., INC. AND MAY NOT BE USED TO PRODUCE ANY PARTS, ASSEMBLIES OR PRODUCTS DESCRIBED HEREIN WITHOUT EXPRESS WRITTEN PERMISSION.</small>	
STINGER 2.0 8297 2.0 PAGE 5 OF 6 03/2008	PORTABLE PART DRAWING

STINGER 2.0 8297 2.0

INDEX #	PART #	QTY	DESCRIPTION	INDEX #	PART #	QTY	DESCRIPTION
1	15195001	1	Swivel Ring	29A1	63675000	1	Set Screw (5" Storz)
2	63687000	2	Set Screw	29A2	11671000	1	Adapter (5" Storz)
3	15027000	92	.250 S/S Ball	29B1	63675000	1	Set Screw (4" Storz)
4A	28174001	1	Base Elbow (Dual Inlet)	29B2	11655001	1	Adapter (4" Storz)
4B	28175001	1	Elbow Base (All Single Inlet)	29B3	11668000	1	4" Storz Adapter (4" Storz)
5	51240000	2	Roll Pin	29C1	63675000	1	Set Screw (4.5" NHT)
6	63677000	4	Set Screw	29C2	11657001	1	Adapter (4.5" NHT)
7	36723001	1	Tee Handle	29C3	15018000	69	.187 Dia Ball S/S (4.5" NHT)
8	47701000	1	Jam Nut (S/S)	29C4	63084001	1	4.5" R/L Swivel (4.5" NHT)
9	36247001	1	Tee Handle Shaft	29C5	33180000	1	Rubber Gasket (4.5" NHT)
10	44036001	1	Center Leg	29D1	63675000	1	Set Screw (4" NHT)
11	62132000	5	Coil Spring	29D2	11656001	1	Adapter (4" NHT)
12	81125001	5	Ground Spike Ass'y	29D3	15018000	79	.187 Dia S/S Ball (4" NHT)
13	57022001	5	Ground Spike Retainer	29D4	63676000	1	Set Screw (4" NHT)
14	63705001	4	Leg Pivot Screw	29D5	63019001	1	4" R/L Swivel (4" NHT)
15	44377000	2	Caution Label	29D6	33177000	1	Rubber Gasket (4" NHT)
16	44035001	4	Outer Leg	29E1	63675000	1	Set Screw (3.5" NHT)
17	51260000	4	Roll Pin	29E2	11776001	1	Adapter (3.5" NHT)
18	23543000	8	Vinyl Cap	29E3	15018000	71	.187 Dia S/S Ball (3.5" NHT)
19	62121000	4	Coil Spring - Leg	29E4	63688000	1	Set Screw (3.5" NHT)
20	52663000	4	Leg Lock Pin	29E5	63018001	1	3.5" R/L Swivel (3.5" NHT)
21	17356001	1	Front Leg Bracket	29E6	33186000	1	Rubber Gasket (3.5" NHT)
22	63793000	2	Cap Screw	29F1	20503000	1	Clapper (2.5" Dual NHT)
23	63794000	4	Cap Screw	29F2	63685000	1	Set Screw (2.5" Dual NHT)
24	17355001	2	Rear Leg Bracket	29F3	16121001	1	Siamese Body (2.5" Dual NHT)
25A	44383000	1	Max Flow Label	29F4	15018000	104	.187 Dia S/S Ball (2.5" Dual NHT)
25B	44382000	1	Max Flow Label	29F5	63069001	2	2.5" R/L Swivel (2.5" Dual NHT)
26	15027000	64	.250 S/S Ball	29F6	33083000	2	Rubber Gasket (2.5" Dual NHT)
27A	57312000	1	O-Ring (Dual Inlet)	29F7	16413001	1	Clapper Pin Bolt (2.5" Dual NHT)
27B	57403000	1	O-Ring (All Single Inlets)	29F8	57446000	1	O-Ring (2.5" Dual NHT)
29	81497001	1	Protective Cover Assembly	29F9	52111001	1	Clapper Pin Bolt (2.5" Dual NHT)
NOT SHOWN	81404001	1	Safety Strap Sub-Assembly	29F10	63674000	2	Set Screw (2.5" Dual NHT)




 ELKHART BRASS MFG. CO., INC.
 ELKHART, INDIANA

THIS DRAWING CONTAINS INFORMATION THAT IS
 PROPRIETARY TO ELKHART BRASS MFG. CO., INC.
 AND MAY NOT BE USED TO PRODUCE ANY PARTS,
 ASSEMBLIES OR PRODUCTS DESCRIBED HEREIN
 WITHOUT EXPRESS WRITTEN PERMISSION.


STINGER 8397 2.0
 PAGE 1 OF 4
 03/2008

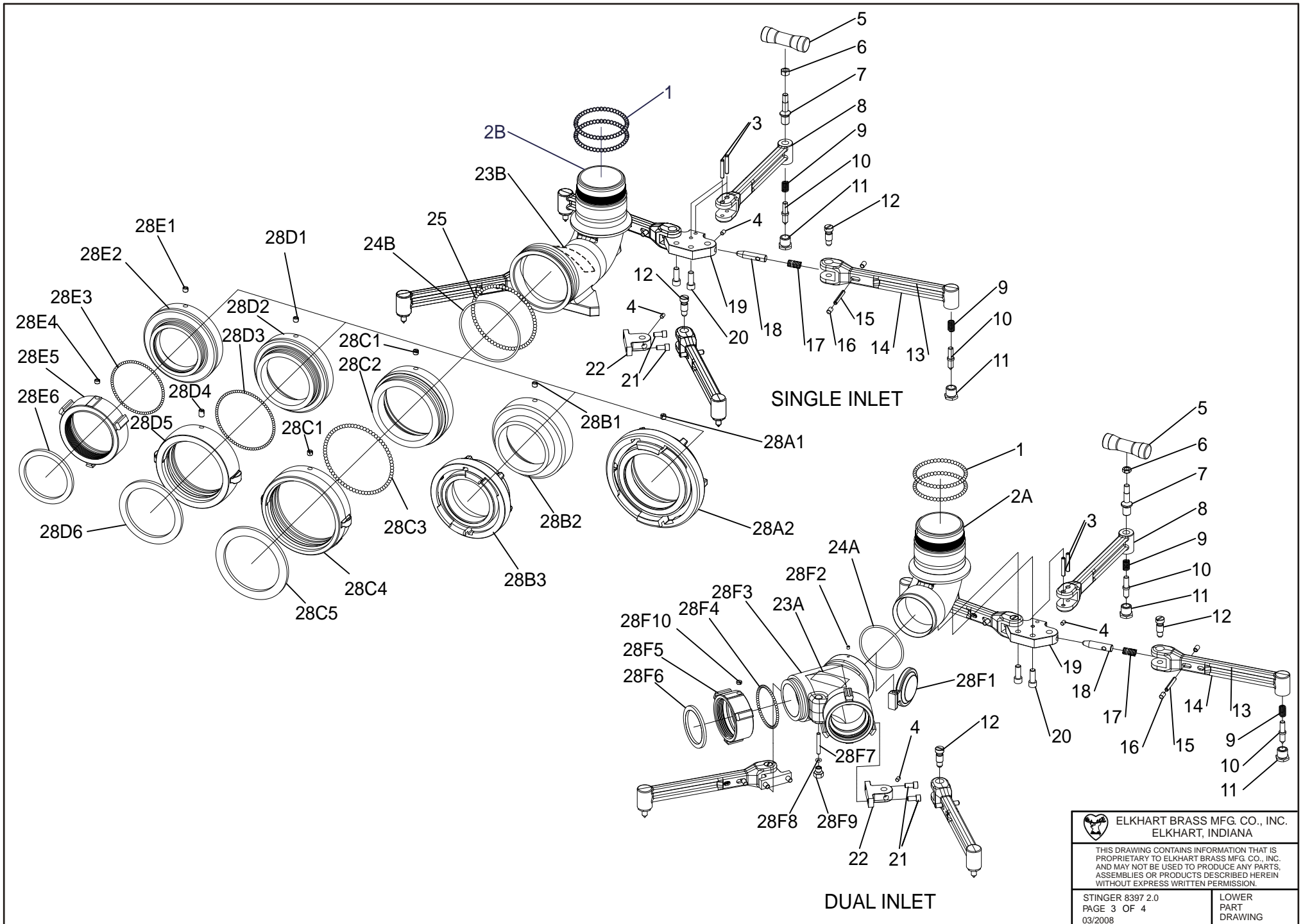
UPPER PART
 DRAWING

NON-BREAK-APART

NON-BREAK-APART STINGER 8397 2.0

INDEX #	PART #	QTY	DESCRIPTION	INDEX #	PART #	QTY	DESCRIPTION
1	28138001	1	Discharge Elbow	22	17909001	1	Inlet Body
2	39130000	1	Liquid Filled Gauge	23	31011000	1	Grease Fitting
3	23544000	1	Pressure Gauge Cover	24	63687000	2	Set Screw
4	15027000	92	.250 Ball S/S	25	44400000	1	Identification Label
5	57414000	1	O-Ring	26	57629000	2	Retaining Ring
6	52076001	1	Vertical Stop Pin	27	51134000	1	Pivot Pin
7	62122000	1	Vertical Stop Spring	28	57416000	1	O-Ring
8	59051000	1	Pull Ring S/S	29	52628000	1	Horizontal Lock Plug
9	20037101	1	Vertical Stop Cap	30	51251000	1	Roll Pin
10	63688000	2	Set Screw	31	61818000	1	Torsion Spring
11	44375000	1	Vertical Stop Warning Label	32	44405001	1	Cam Lock Lever
12	17678001	1	Outlet Body	33	51236000	1	Roll Pin
13	63933001	1	Worm Shaft	34	63949001	1	Handwheel Shaft
14	17871001	1	Worm Shaft Bushing	35	16661000	1	Handwheel Shaft Bushing
15	31001000	1	Grease Fitting	36	71235101	1	Handwheel (Black)
16	33645000	1	Hand Grip	37	51240000	1	Roll Pin
17	36023001	1	Carry Handle	38	16687000	2	Spinner Bushing
18	61041000	2	Cap Screw	39	36703101	1	Spinner Handle
19	57481000	1	O-Ring	40	16436001	1	Swivel Bolt
20	51074000	2	Drive Lock Pin	41	52018000	1	Cap Plug
21	61079000	6	Cap Screw				


	ELKHART BRASS MFG. CO., INC. ELKHART, INDIANA
THIS DRAWING CONTAINS INFORMATION THAT IS PROPRIETARY TO ELKHART BRASS MFG. CO., INC. AND MAY NOT BE USED TO PRODUCE ANY PARTS, ASSEMBLIES OR PRODUCTS DESCRIBED HEREIN WITHOUT EXPRESS WRITTEN PERMISSION.	
STINGER 8397 2.0 PAGE 2 OF 4 03/2008	UPPER PART LIST



NON-BREAK-APART

NON-BREAK-APART STINGER 8397 2.0

INDEX #	PART #	QTY	DESCRIPTION	INDEX #	PART #	QTY	DESCRIPTION
1	15027000	92	.250 S/S Ball	28A1	63675000	1	Set Screw (5" Storz)
2A	28174001	1	Base Elbow (Dual Inlet)	28A2	11671000	1	Adapter (5" Storz)
2B	28175001	1	Elbow Base (All Single Inlet)	28B1	63675000	1	Set Screw (4" Storz)
3	51240000	2	Roll Pin	28B2	11655001	1	Adapter (4" Storz)
4	63677000	4	Set Screw	28B3	11668000	1	4" Storz Adapter (4" Storz)
5	36723001	1	Tee Handle	28C1	63675000	1	Set Screw (4.5" NHT)
6	47542004	1	Jam Nut (Brass)	28C2	11657001	1	Adapter (4.5" NHT)
7	36247001	1	Tee Handle Shaft	28C3	15018000	69	.187 Dia Ball S/S (4.5" NHT)
8	44036001	1	Center Leg	28C4	63084001	1	4.5" R/L Swivel (4.5" NHT)
9	62132000	5	Coil Spring	28C5	33180000	1	Rubber Gasket (4.5" NHT)
10	81125001	5	Ground Spike Assy	28D1	63675000	1	Set Screw (4" NHT)
11	57022001	5	Ground Spike Retainer	28D2	11656001	1	Adapter (4" NHT)
12	63705001	4	Leg Pivot Screw	28D3	15018000	79	.187 Dia S/S Ball (4" NHT)
13	44377000	2	Caution Label	28D4	63676000	1	Set Screw (4" NHT)
14	44035001	4	Outer Leg	28D5	63019001	1	4" R/L Swivel (4" NHT)
15	51260000	4	Roll Pin	28D6	33177000	1	Rubber Gasket (4" NHT)
16	23543000	8	Vinyl Cap	28E1	63675000	1	Set Screw (3.5" NHT)
17	62121000	4	Coil Spring - Leg	28E2	11776001	1	Adapter (3.5" NHT)
18	52663000	4	Leg Lock Pin	28E3	15018000	71	.187 Dia S/S Ball (3.5" NHT)
19	17356001	1	Front Leg Bracket	28E4	63688000	1	Set Screw (3.5" NHT)
20	63793000	2	Cap Screw	28E5	63018001	1	3.5" R/L Swivel (3.5" NHT)
21	63794000	4	Cap Screw	28E6	33186000	1	Rubber Gasket (3.5" NHT)
22	17355001	2	Rear Leg Bracket	28F1	20503000	1	Clapper (2.5" Dual NHT)
23A	44383000	1	Max Flow Label	28F2	63685000	1	Set Screw (2.5" Dual NHT)
23B	44382000	1	Max Flow Label	28F3	16121001	1	Siamese Body (2.5" Dual NHT)
24A	57312000	1	O-Ring (Dual Inlet)	28F4	15018000	104	.187 Dia S/S Ball (2.5" Dual NHT)
24B	57403000	1	O-Ring (All Single Inlets)	28F5	63069001	2	2.5" R/L Swivel (2.5" Dual NHT)
25	15027000	64	.250 S/S Ball	28F6	33083000	2	Rubber Gasket (2.5" Dual NHT)
NOT SHOWN	81404001	1	Safety Strap Sub-Assembly	28F7	16413001	1	Clapper Pin Bolt (2.5" Dual NHT)
				28F8	57446000	1	O-Ring (2.5" Dual NHT)
				28F9	52111001	1	Clapper Pin Bolt (2.5" Dual NHT)
				28F10	63674000	2	Set Screw (2.5" Dual NHT)

 ELKHART BRASS MFG. CO., INC. ELKHART, INDIANA	
<small>THIS DRAWING CONTAINS INFORMATION THAT IS PROPRIETARY TO ELKHART BRASS MFG. CO., INC. AND MAY NOT BE USED TO PRODUCE ANY PARTS, ASSEMBLIES OR PRODUCTS DESCRIBED HEREIN WITHOUT EXPRESS WRITTEN PERMISSION.</small>	
STINGER 8397 2.0 PAGE 4 OF 4 03/2008	LOWER PART LIST