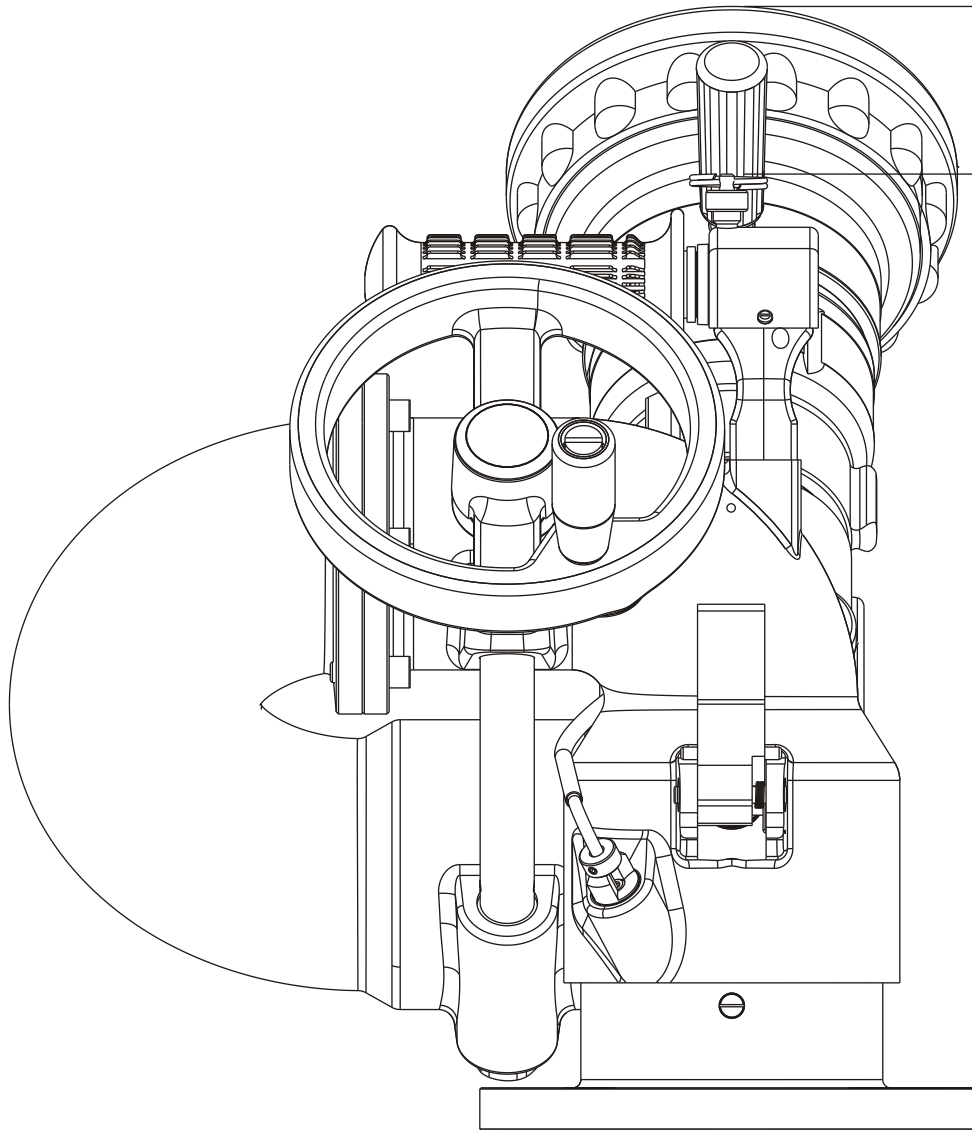


 ELKHART BRASS MFG. CO., INC.
ELKHART, INDIANA

THIS DRAWING CONTAINS INFORMATION THAT IS PROPRIETARY TO ELKHART BRASS MFG. CO., INC. AND MAY NOT BE USED TO PRODUCE ANY PARTS, ASSEMBLIES OR PRODUCTS DESCRIBED HEREIN WITHOUT EXPRESS WRITTEN PERMISSION.

STINGER 2.0 8297 2.0
PAGE 1 OF 5
02/2008


TRUCK MOUNT
BASE
DIMENSIONAL



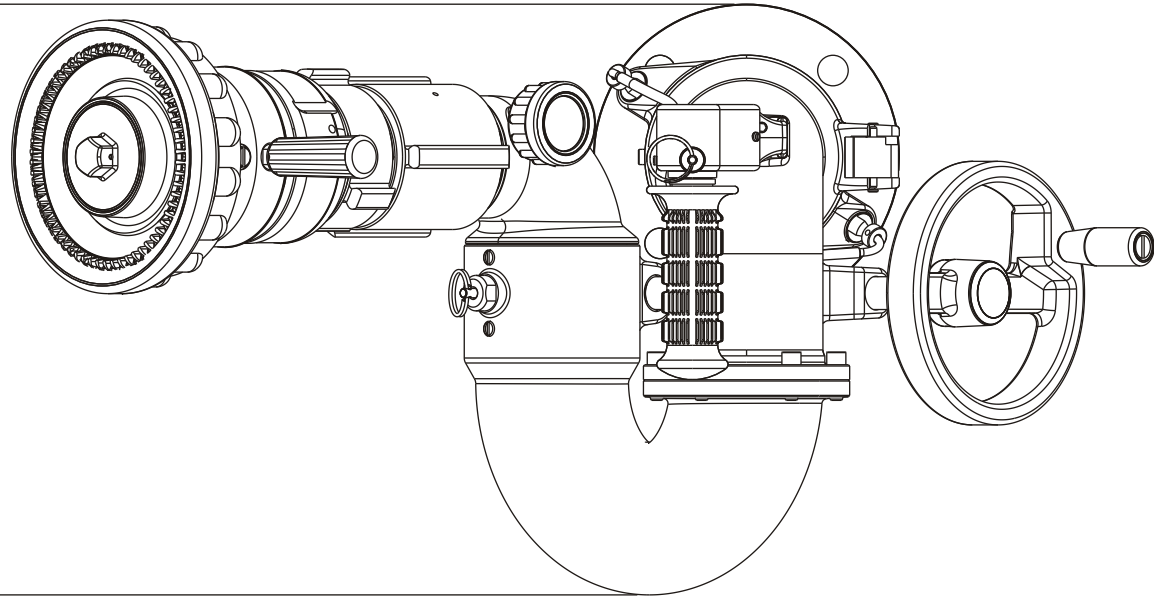
M.H. 14.22"
(36.13 cm)


*O.H. 19.02"
(48.31 cm)

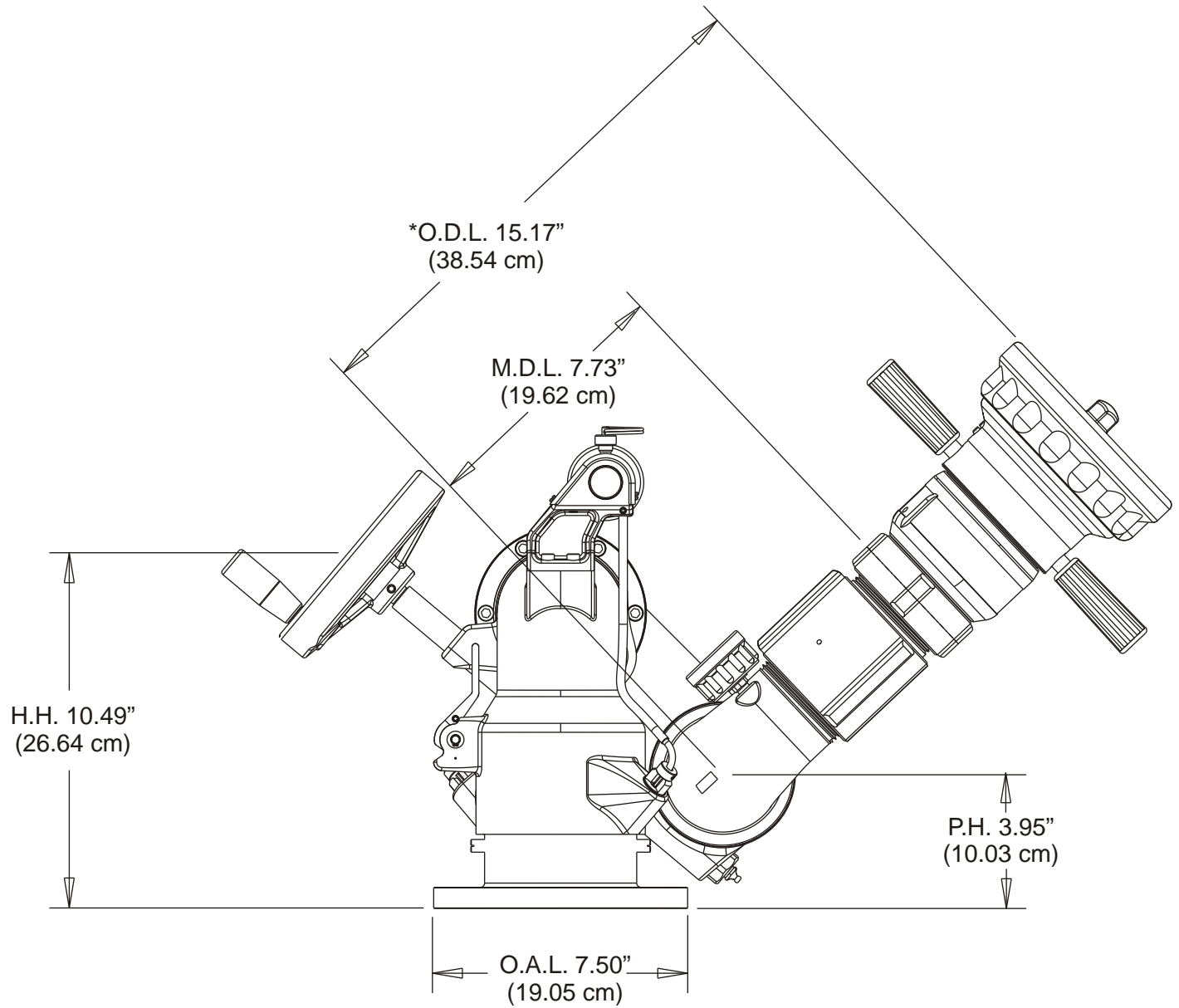
*TYPICAL - SEE INDIVIDUAL NOZZLE DRAWINGS

	ELKHART BRASS MFG. CO., INC. ELKHART, INDIANA
THIS DRAWING CONTAINS INFORMATION THAT IS PROPRIETARY TO ELKHART BRASS MFG. CO., INC. AND MAY NOT BE USED TO PRODUCE ANY PARTS, ASSEMBLIES OR PRODUCTS DESCRIBED HEREIN WITHOUT EXPRESS WRITTEN PERMISSION.	
STINGER 2.0 8297 2.0 PAGE 2 OF 5 02/2008	TRUCK MOUNT BACK VIEW DIMENSIONAL

W. 14.50"
(36.83 cm)

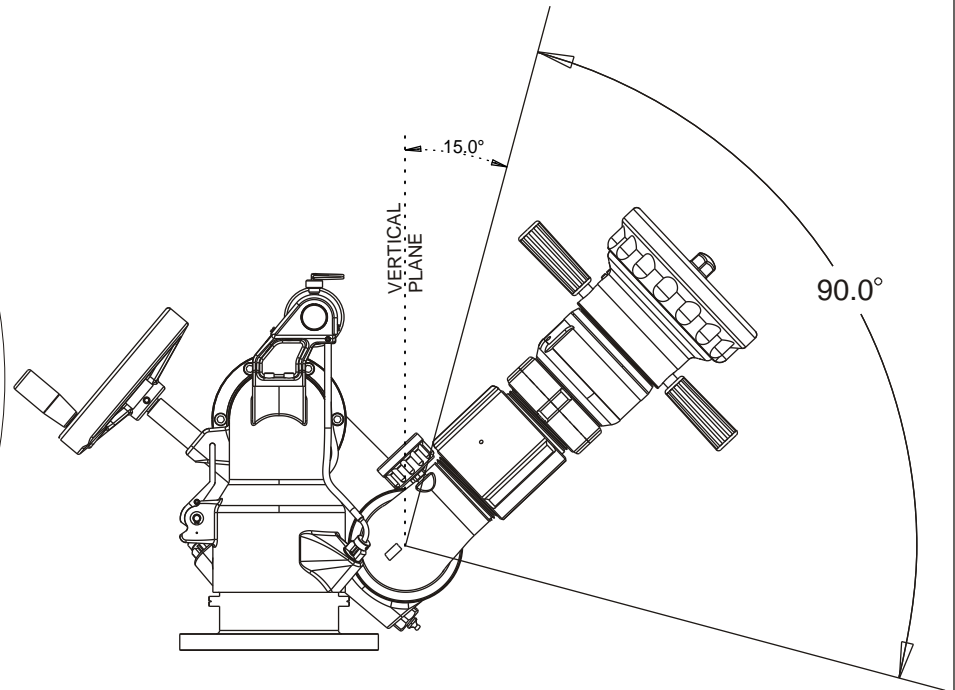
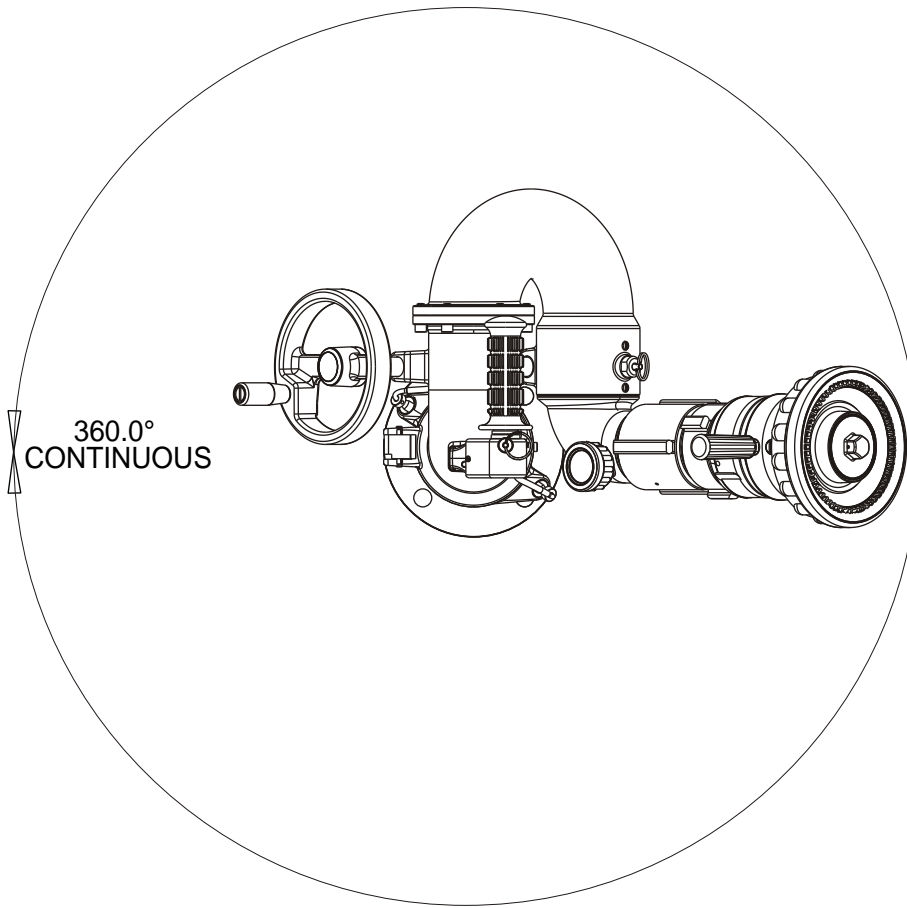


	ELKHART BRASS MFG. CO., INC. ELKHART, INDIANA
THIS DRAWING CONTAINS INFORMATION THAT IS PROPRIETARY TO ELKHART BRASS MFG. CO., INC. AND MAY NOT BE USED TO PRODUCE ANY PARTS, ASSEMBLIES OR PRODUCTS DESCRIBED HEREIN WITHOUT EXPRESS WRITTEN PERMISSION.	
STINGER 2.0 8297 2.0 PAGE 3 OF 5 02/2008	TRUCK MOUNT TOP VIEW DIMENSIONAL



*TYPICAL -SEE INDIVIDUAL NOZZLE DRAWINGS

	<p>ELKHART BRASS MFG. CO., INC. ELKHART, INDIANA</p>
<p>THIS DRAWING CONTAINS INFORMATION THAT IS PROPRIETARY TO ELKHART BRASS MFG. CO., INC. AND MAY NOT BE USED TO PRODUCE ANY PARTS, ASSEMBLIES OR PRODUCTS DESCRIBED HEREIN WITHOUT EXPRESS WRITTEN PERMISSION.</p>	
<p>STINGER 2.0 8297 2.0 PAGE 4 OF 5 02/2008</p>	<p>TRUCK MOUNT SIDE VIEW DIMENSIONAL</p>

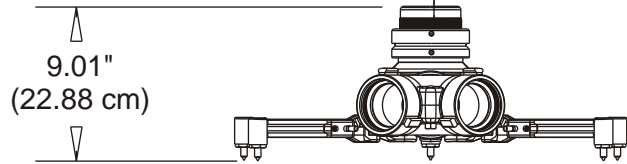
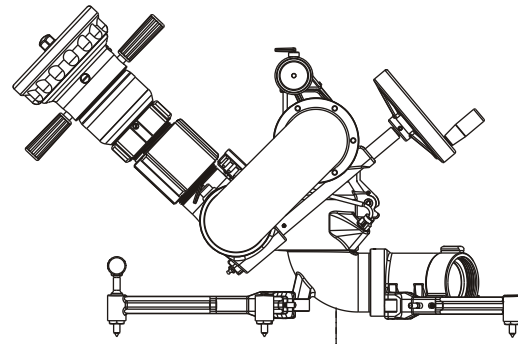


 ELKHART BRASS MFG. CO., INC.
ELKHART, INDIANA

THIS DRAWING CONTAINS INFORMATION THAT IS
PROPRIETARY TO ELKHART BRASS MFG. CO., INC.
AND MAY NOT BE USED TO PRODUCE ANY PARTS,
ASSEMBLIES OR PRODUCTS DESCRIBED HEREIN
WITHOUT EXPRESS WRITTEN PERMISSION.

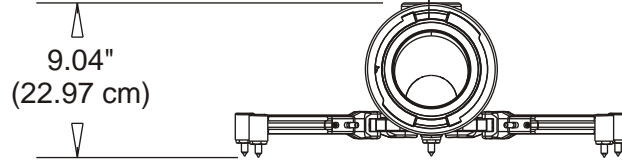
STINGER 2.0 8297 2.0
PAGE 5 OF 5
02/2008

TRUCK MOUNT
RANGE OF
MOTION



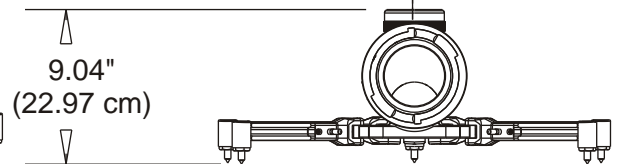
9.01"
(22.88 cm)

2.5" DUAL NHT



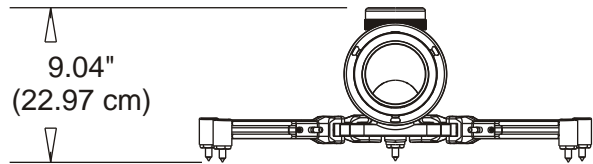
9.04"
(22.97 cm)

5" STORZ



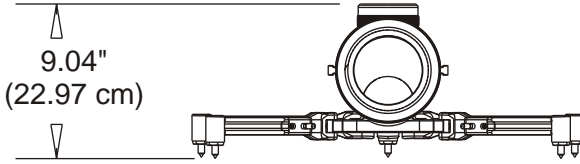
9.04"
(22.97 cm)

4" STORZ



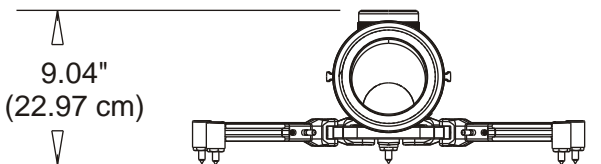
9.04"
(22.97 cm)

3.5" NHT



9.04"
(22.97 cm)

4" NHT



9.04"
(22.97 cm)

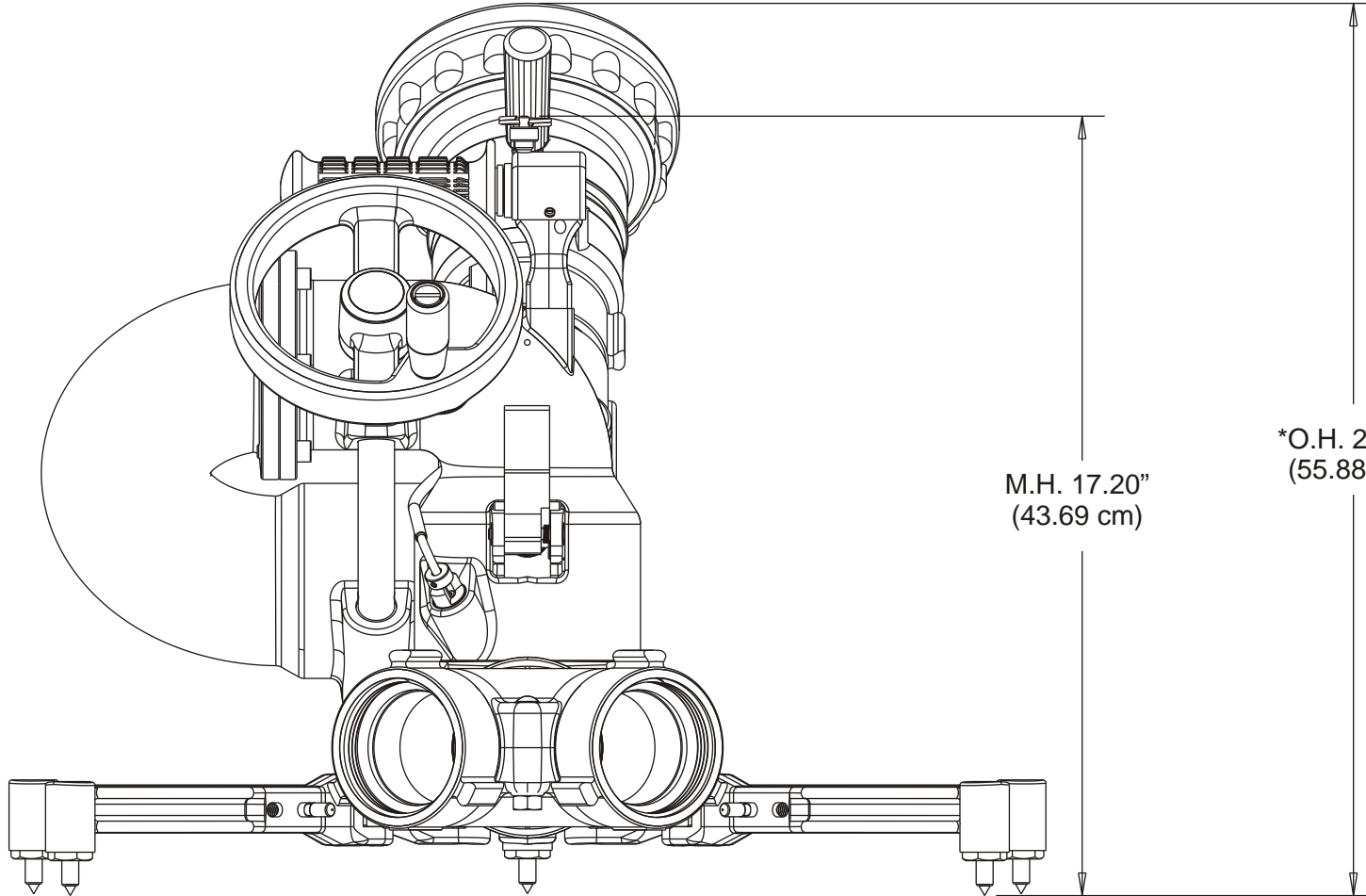
4.5" NHT

 ELKHART BRASS MFG. CO., INC.
ELKHART, INDIANA

THIS DRAWING CONTAINS INFORMATION THAT IS PROPRIETARY TO ELKHART BRASS MFG. CO., INC. AND MAY NOT BE USED TO PRODUCE ANY PARTS, ASSEMBLIES OR PRODUCTS DESCRIBED HEREIN WITHOUT EXPRESS WRITTEN PERMISSION.

STINGER 2.0 8297 2.0
PAGE 1 OF 5
02/2008


PORTABLE
BASE
DIMENSIONAL



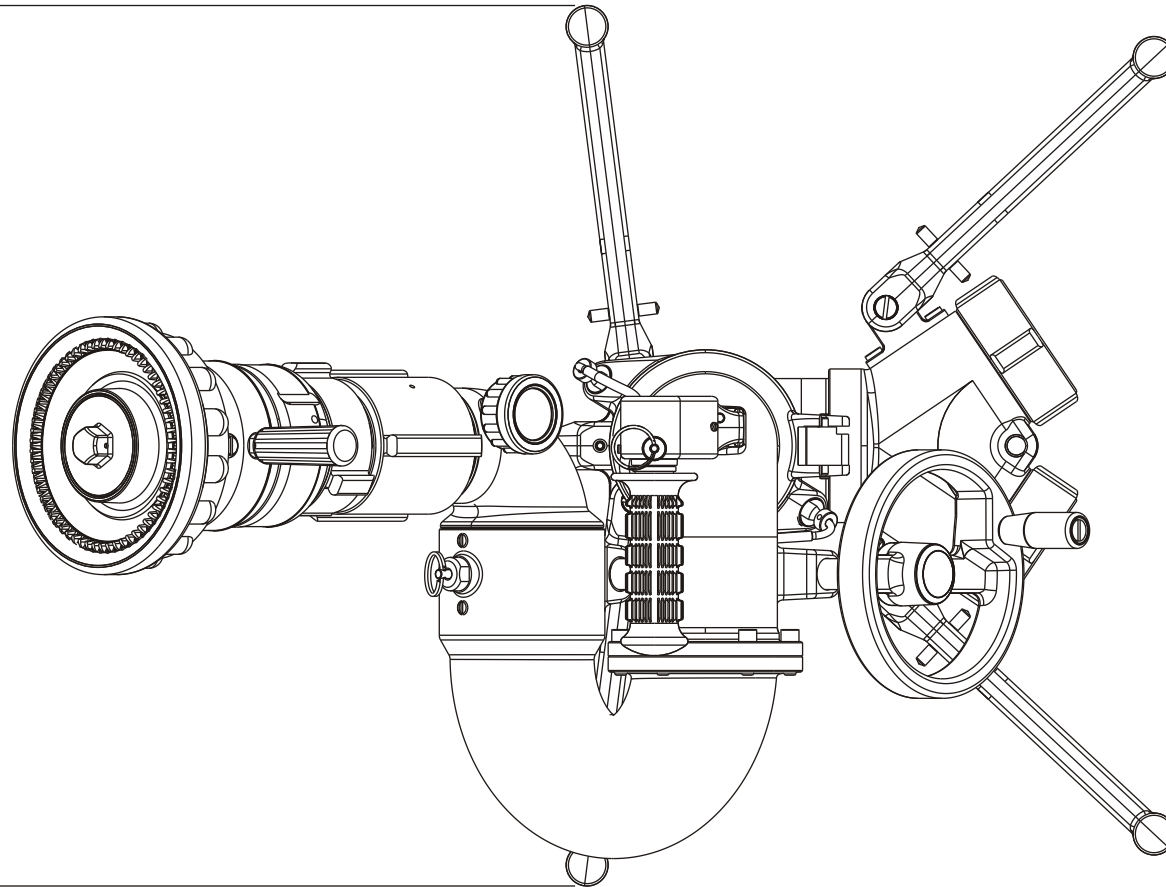
M.H. 17.20"
(43.69 cm)

*O.H. 22.00"
(55.88 cm)

*TYPICAL - SEE INDIVIDUAL NOZZLE DRAWINGS

	ELKHART BRASS MFG. CO., INC. ELKHART, INDIANA
THIS DRAWING CONTAINS INFORMATION THAT IS PROPRIETARY TO ELKHART BRASS MFG. CO., INC. AND MAY NOT BE USED TO PRODUCE ANY PARTS, ASSEMBLIES OR PRODUCTS DESCRIBED HEREIN WITHOUT EXPRESS WRITTEN PERMISSION.	
STINGER 2.0 8297 2.0 PAGE 2 OF 5 02/2008	PORTABLE BACK VIEW DIMENSIONAL

W. 22.93"
(58.24 cm)

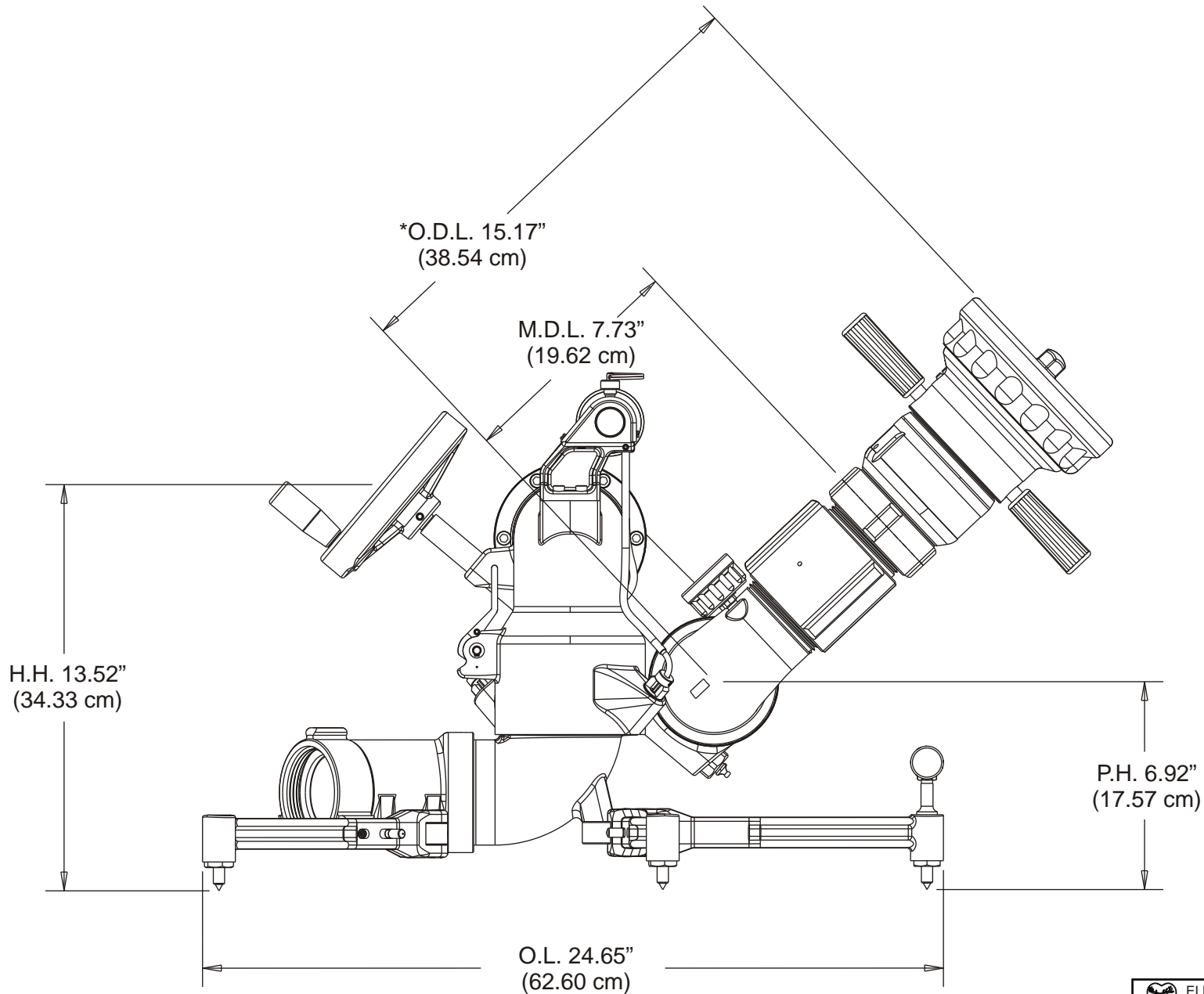


 ELKHART BRASS MFG. CO., INC.
ELKHART, INDIANA


THIS DRAWING CONTAINS INFORMATION THAT IS
PROPRIETARY TO ELKHART BRASS MFG. CO., INC.
AND MAY NOT BE USED TO PRODUCE ANY PARTS,
ASSEMBLIES OR PRODUCTS DESCRIBED HEREIN
WITHOUT EXPRESS WRITTEN PERMISSION.

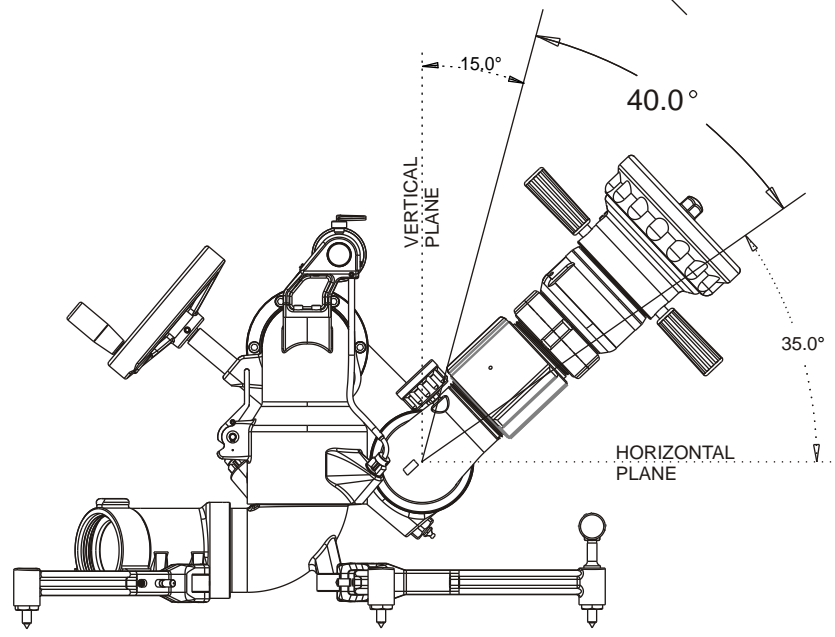
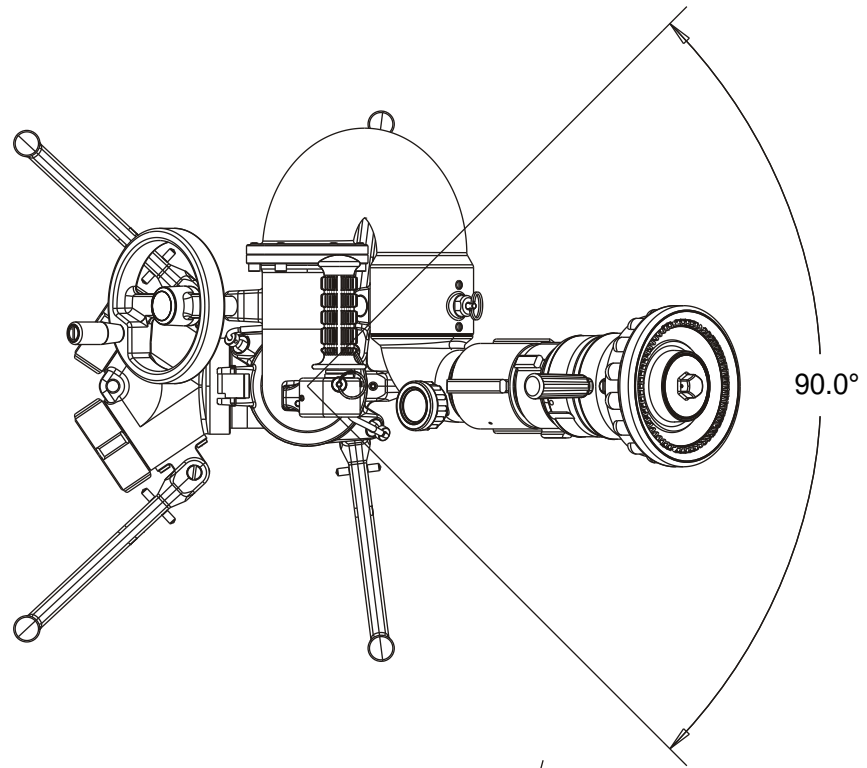
STINGER 2.0 8297 2.0
PAGE 3 OF 5
02/2008


PORTABLE
TOP VIEW
DIMENSIONAL

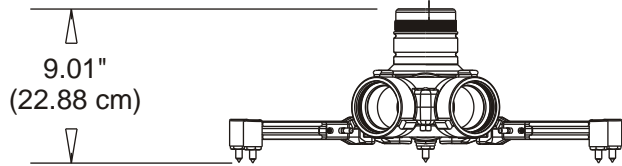
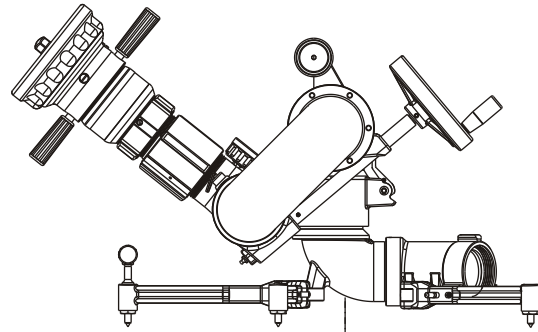


*TYPICAL -SEE INDIVIDUAL NOZZLE DRAWINGS

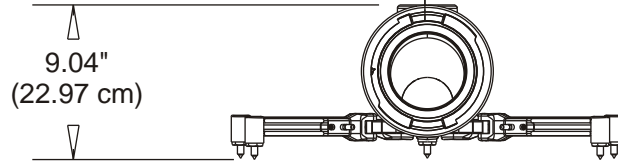
	ELKHART BRASS MFG. CO., INC. ELKHART, INDIANA	
	<small>THIS DRAWING CONTAINS INFORMATION THAT IS PROPRIETARY TO ELKHART BRASS MFG. CO., INC. AND MAY NOT BE USED TO PRODUCE ANY PARTS, ASSEMBLIES OR PRODUCTS DESCRIBED HEREIN WITHOUT EXPRESS WRITTEN PERMISSION.</small>	
STINGER 2.0 8297 2.0 PAGE 4 OF 5 02/2008	PORTABLE SIDE VIEW DIMENSIONAL	



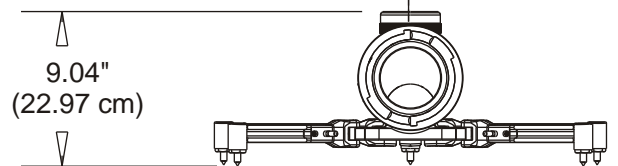
 ELKHART BRASS MFG. CO., INC. ELKHART, INDIANA	
THIS DRAWING CONTAINS INFORMATION THAT IS PROPRIETARY TO ELKHART BRASS MFG. CO., INC. AND MAY NOT BE USED TO PRODUCE ANY PARTS, ASSEMBLIES OR PRODUCTS DESCRIBED HEREIN WITHOUT EXPRESS WRITTEN PERMISSION.	
STINGER 2.0 8297 2.0 PAGE 5 OF 5 02/2008	PORTABLE RANGE OF MOTION



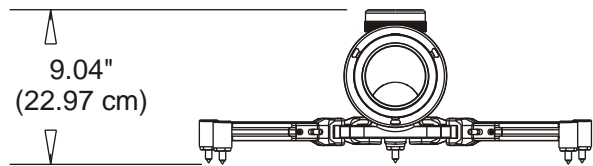
2.5" DUAL NHT



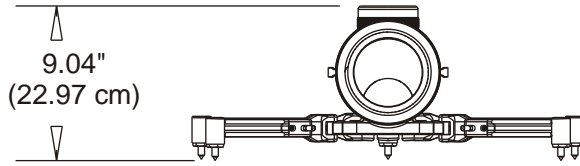
5" STORZ



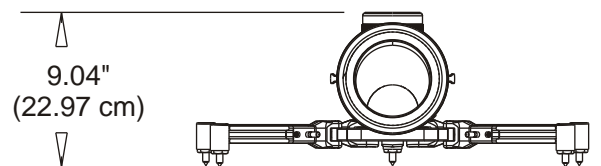
4" STORZ




3.5" NHT



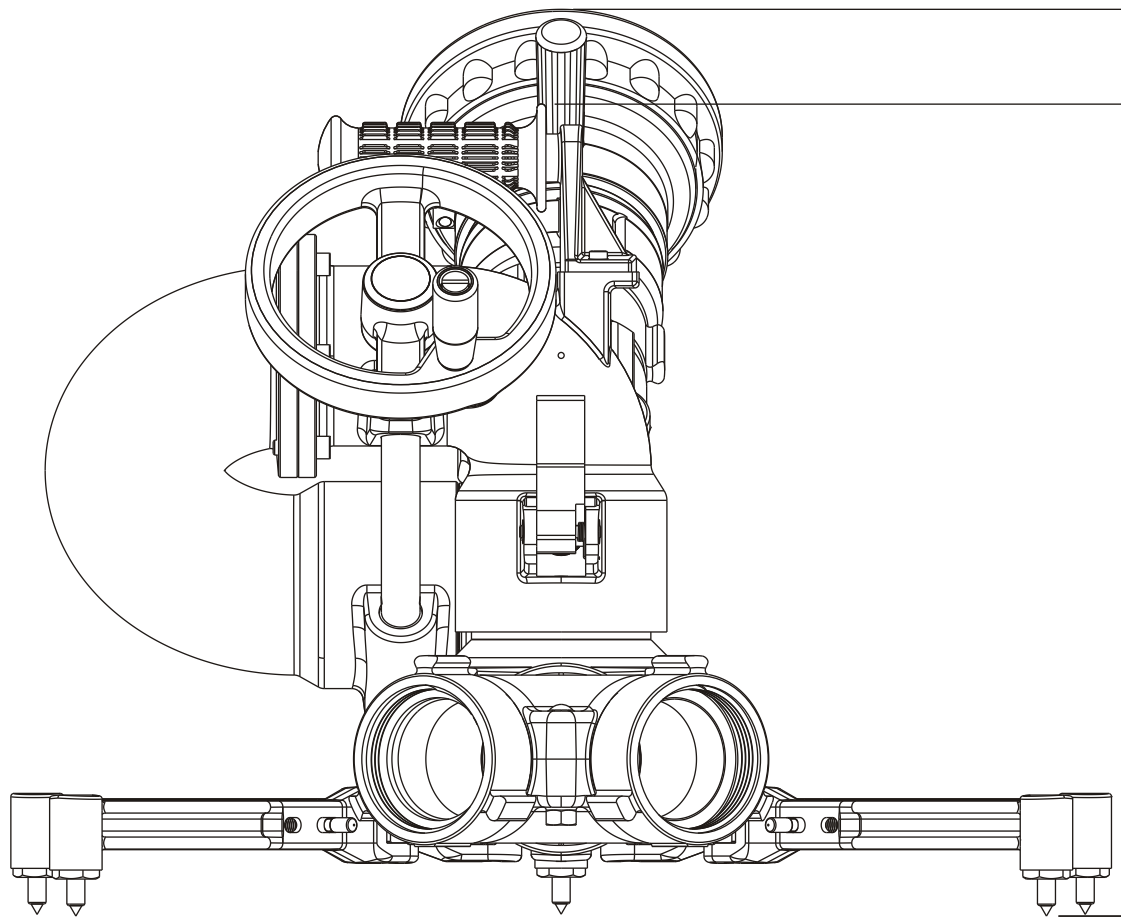
4" NHT



4.5" NHT

	ELKHART BRASS MFG. CO., INC. ELKHART, INDIANA	
	<small>THIS DRAWING CONTAINS INFORMATION THAT IS PROPRIETARY TO ELKHART BRASS MFG. CO., INC. AND MAY NOT BE USED TO PRODUCE ANY PARTS, ASSEMBLIES OR PRODUCTS DESCRIBED HEREIN WITHOUT EXPRESS WRITTEN PERMISSION.</small>	
STINGER 8397 2.0 PAGE 1 OF 5 02/2008	PORTABLE BASE DIMENSIONAL	

NON-BREAK-APART




M.H. 16.87"
(42.85 cm)

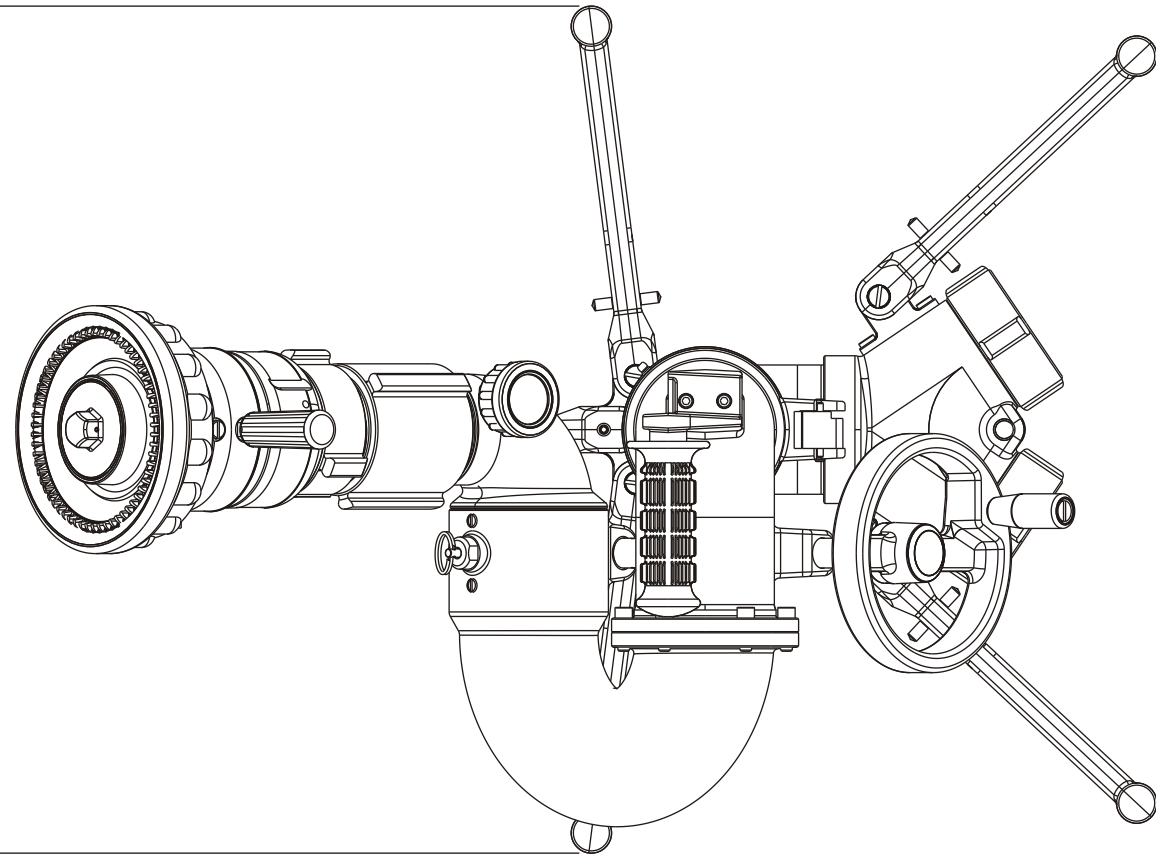
*O.H. 22.30"
(56.64 cm)


*TYPICAL - SEE INDIVIDUAL NOZZLE DRAWINGS

NON-BREAK-APART

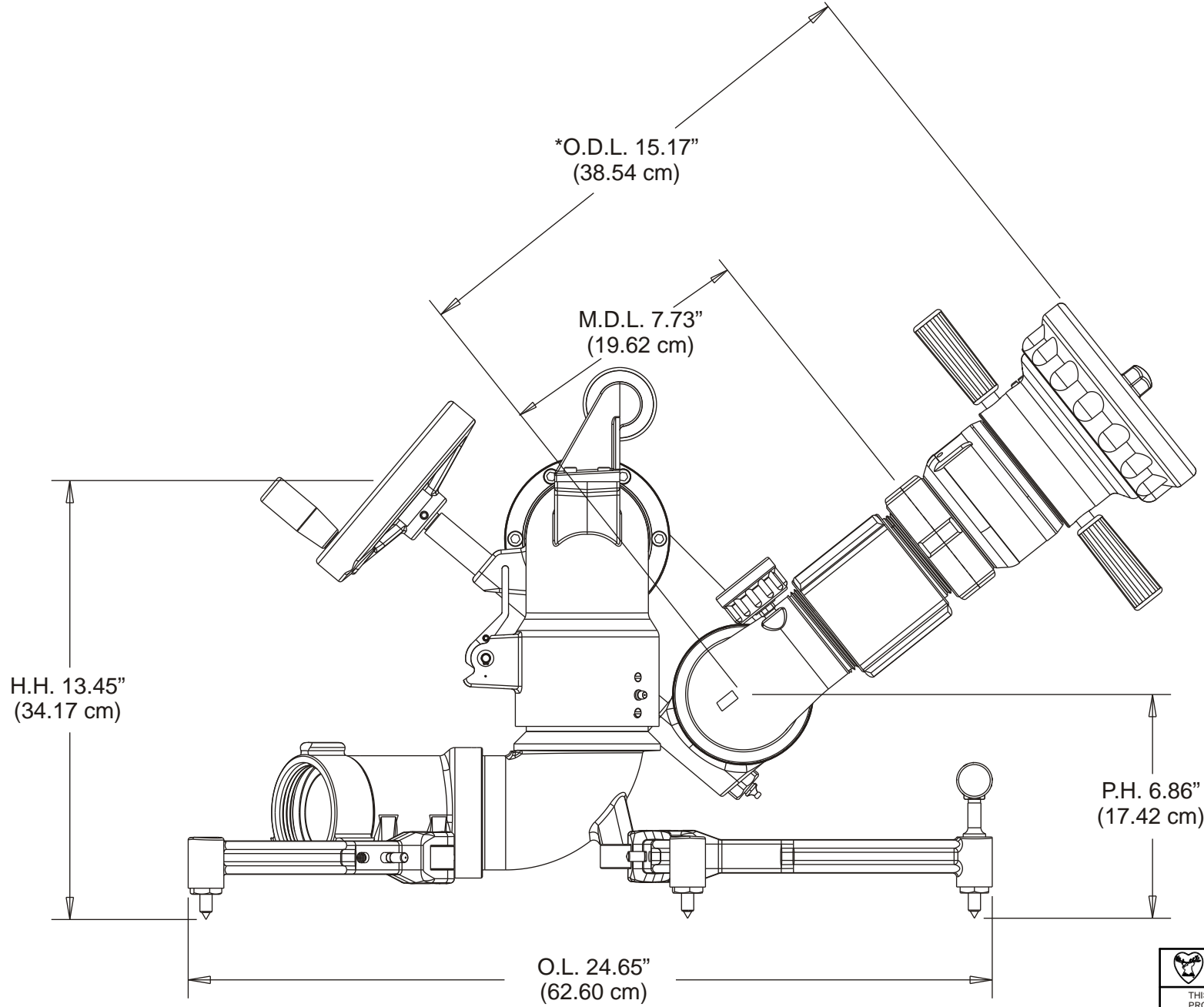
	ELKHART BRASS MFG. CO., INC. ELKHART, INDIANA
THIS DRAWING CONTAINS INFORMATION THAT IS PROPRIETARY TO ELKHART BRASS MFG. CO., INC. AND MAY NOT BE USED TO PRODUCE ANY PARTS, ASSEMBLIES OR PRODUCTS DESCRIBED HEREIN WITHOUT EXPRESS WRITTEN PERMISSION.	
STINGER 8397 2.0 PAGE 2 OF 5 02/2008	PORTABLE BACK VIEW DIMENSIONAL

W. 22.93"
(58.24 cm)




	ELKHART BRASS MFG. CO., INC. ELKHART, INDIANA
THIS DRAWING CONTAINS INFORMATION THAT IS PROPRIETARY TO ELKHART BRASS MFG. CO., INC. AND MAY NOT BE USED TO PRODUCE ANY PARTS, ASSEMBLIES OR PRODUCTS DESCRIBED HEREIN WITHOUT EXPRESS WRITTEN PERMISSION.	
STINGER 8397 2.0 PAGE 3 OF 5 02/2008	PORTABLE TOP VIEW DIMENSIONAL

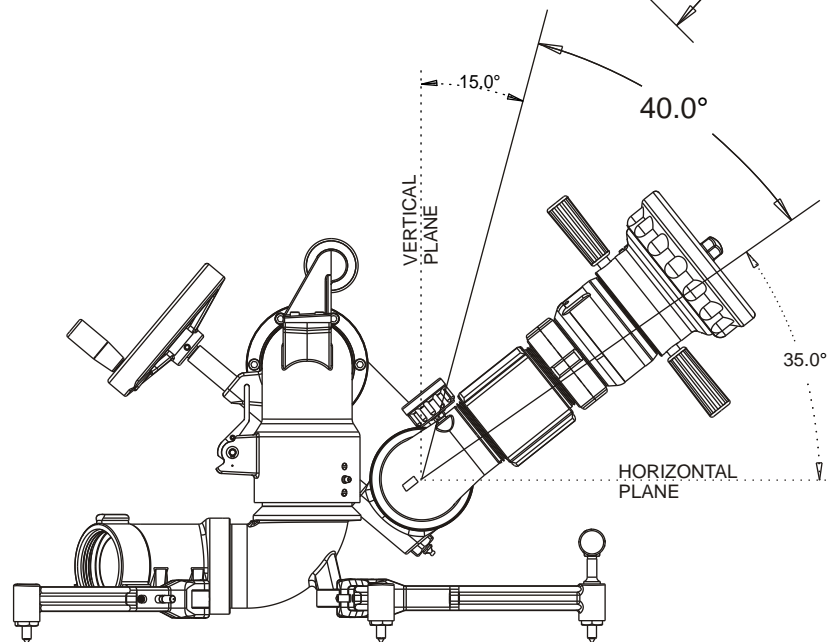
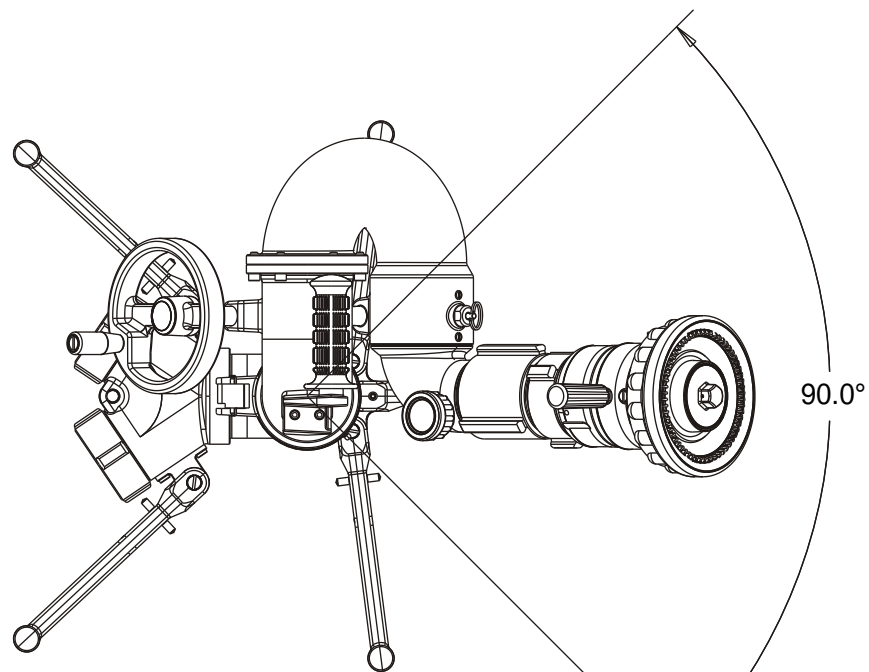
NON-BREAK-APART




*TYPICAL -SEE INDIVIDUAL NOZZLE DRAWINGS

NON-BREAK-APART

	ELKHART BRASS MFG. CO., INC. ELKHART, INDIANA	
	<small>THIS DRAWING CONTAINS INFORMATION THAT IS PROPRIETARY TO ELKHART BRASS MFG. CO., INC. AND MAY NOT BE USED TO PRODUCE ANY PARTS, ASSEMBLIES OR PRODUCTS DESCRIBED HEREIN WITHOUT EXPRESS WRITTEN PERMISSION.</small>	
STINGER 8397 2.0 PAGE 4 OF 5 02/2008	PORTABLE SIDE VIEW DIMENSIONAL	



 ELKHART BRASS MFG. CO., INC. ELKHART, INDIANA	
<small>THIS DRAWING CONTAINS INFORMATION THAT IS PROPRIETARY TO ELKHART BRASS MFG. CO., INC. AND MAY NOT BE USED TO PRODUCE ANY PARTS, ASSEMBLIES OR PRODUCTS DESCRIBED HEREIN WITHOUT EXPRESS WRITTEN PERMISSION.</small>	
STINGER 8397 2.0 PAGE 5 OF 5 02/2008	PORTABLE RANGE OF MOTION

NON-BREAK-APART

DIMENSIONAL ABBREVIATION KEY*

ABBREVIATION	DESCRIPTION
D.L.	Discharge Length
H.H.	Handle Height
H.S.R.	Handle Swing Radius
M.D.L.	Monitor Discharge Length
M.H.	Monitor Height
O.D.L.	Overall Discharge Length
O.H.	Overall Height
O.L.	Overall Length
P.H.	Pivot Height
P.R.	Pivot Radius
R.	Radius
S.D.H.	Stow Down Height
W.	Width

*Not all abbreviations will be used on every drawing



ELKHART BRASS MFG. CO., INC.
ELKHART, INDIANA

THIS DRAWING CONTAINS INFORMATION THAT IS
PROPRIETARY TO ELKHART BRASS MFG. CO., INC.
AND MAY NOT BE USED TO PRODUCE ANY PARTS,
ASSEMBLIES OR PRODUCTS DESCRIBED HEREIN
WITHOUT EXPRESS WRITTEN PERMISSION.

DIMENSIONAL
KEY
2/2008