
ELKHART BRASS MFG. CO., INC.
ELKHART, INDIANA
 THIS DRAWING CONTAINS INFORMATION THAT IS
 PROPRIETARY TO ELKHART BRASS MFG. CO., INC.
 AND MAY NOT BE USED TO PRODUCE ANY PARTS,
 ASSEMBLIES OR PRODUCTS DESCRIBED HEREIN
 WITHOUT EXPRESS WRITTEN PERMISSION.

SIDEWINDER RF 8494RF PAGE 1 OF 2 01/2009	PART DRAWING
--	-----------------

SIDEWINDER RF 8494RF

INDEX #	PART #	QTY	DESCRIPTION
1	17908001	1	MONITOR OUTLET BODY
2	15027000	144	BALLS-0.250. S/S
3	57502000	2	O-RING
4	63687000	4	SET SCREW
5	31011000	2	GREASE FITTING
6	51248000	2	ROLL PIN
7	47652001	2	OVER-RIDE NUT
8	64073000	2	SCREWS S/S
9	23572000	1	CLAMP LOOP
13	65104000	1	POSITION SENSOR
14	18219001	1	MONITOR INLET BODY
15	44339010	1	SERIAL NO./IDENTIFICATION PLATE
16	61215100	4	DRIVE SCREW S/S
17	17974001	1	MONITOR BASE
18	63935001	2	WORM SHAFT S/S
19	64074000	4	CAP SCREWS S/S
20	81279001	1	MOTOR ASSY W/ENCODER (12 VDC)
21	63797000	1	SCREW S/S
22	23570000	1	CLAMP LOOP CUSHIONED
23	37009000	1	MONITOR CONTROL HARNESS
24	63601001	2	SPACER
25	71516000	4	THRUST WASHER
26	17702000	2	THRUST BEARING
27	57380000	2	O-RING
28	23571000	2	CLAMP LOOP
29	64072000	4	CAP SCREWS S/S
30	81119001	1	MOTOR ASSY (12 VDC)
31	71515000	4	THRUST WASHER
32	17701000	2	THRUST BEARING
33	65201000	1	SET SCREW S/S
34	20985001	1	COUPLING
35	63699000	1	SET SCREW S/S
36	51071000	1	SOLID PIN
37	46054000	2	MAGNETS
38	57438000	1	O-RING
39	81496001	1	RF RECEIVER/CONTROL MODULE

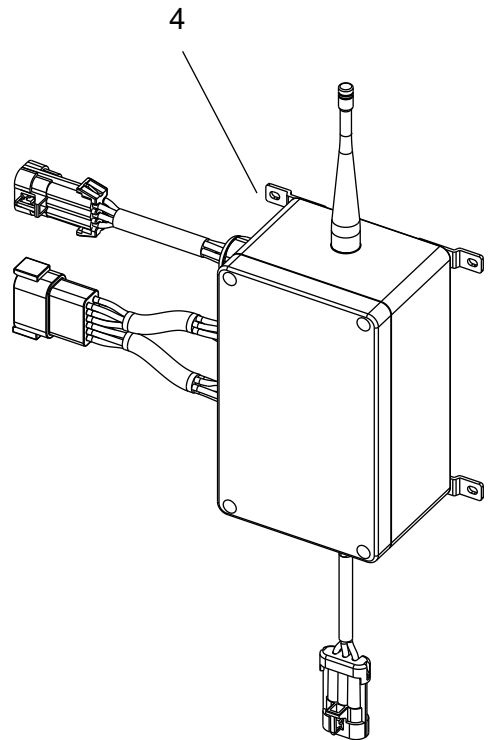
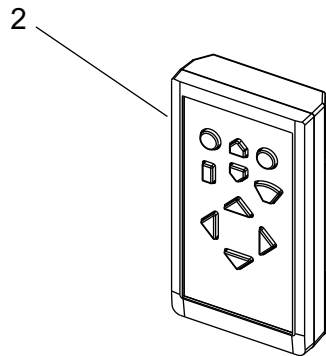
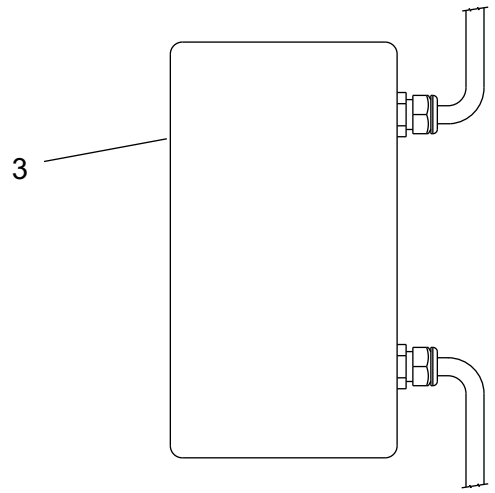
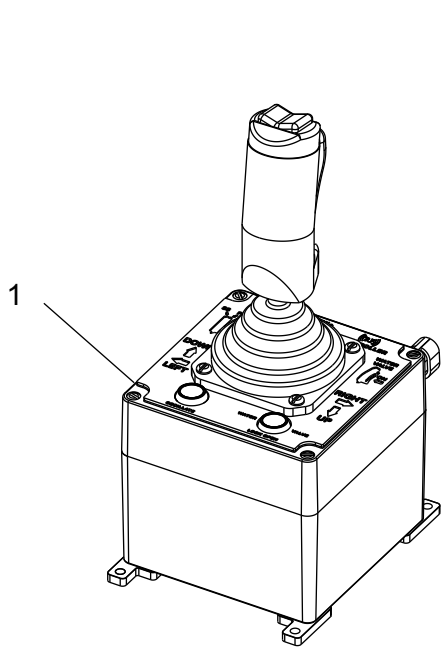


ELKHART BRASS MFG. CO., INC.
ELKHART, INDIANA

THIS DRAWING CONTAINS INFORMATION THAT IS
PROPRIETARY TO ELKHART BRASS MFG. CO., INC.
AND MAY NOT BE USED TO PRODUCE ANY PARTS,
ASSEMBLIES OR PRODUCTS DESCRIBED HEREIN
WITHOUT EXPRESS WRITTEN PERMISSION.

SIDEWINDER RF 8494RF
PAGE 2 OF 2
01/2009

PART
LIST



**SIDEWINDER RF 8494-RF
CONTROLS**

INDEX #	PART #	DESCRIPTION
1	81498001	Joystick Transmitter
2	81502001	Hand held Remote Controller
3	81545001	Power Module
4	81496001	Receiver/Control Module



ELKHART BRASS MFG. CO., INC.
ELKHART, INDIANA

THIS DRAWING CONTAINS INFORMATION THAT IS
PROPRIETARY TO ELKHART BRASS MFG. CO., INC.
AND MAY NOT BE USED TO PRODUCE ANY PARTS,
ASSEMBLIES OR PRODUCTS DESCRIBED HEREIN
WITHOUT EXPRESS WRITTEN PERMISSION.

SCORPION ELECTRIC
PAGE 2 OF 2
06/2011

CONTROLS
PART
LIST