
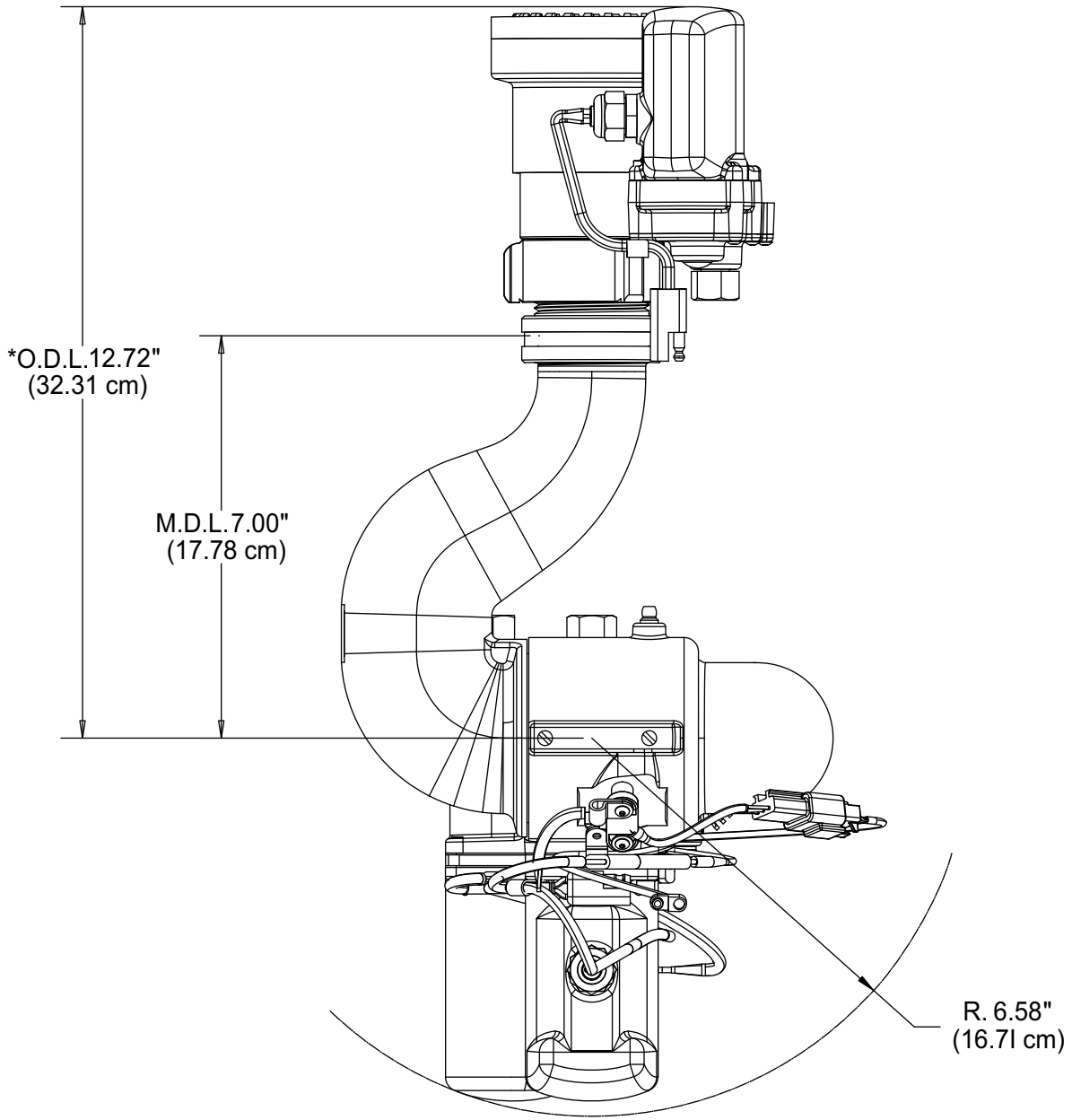



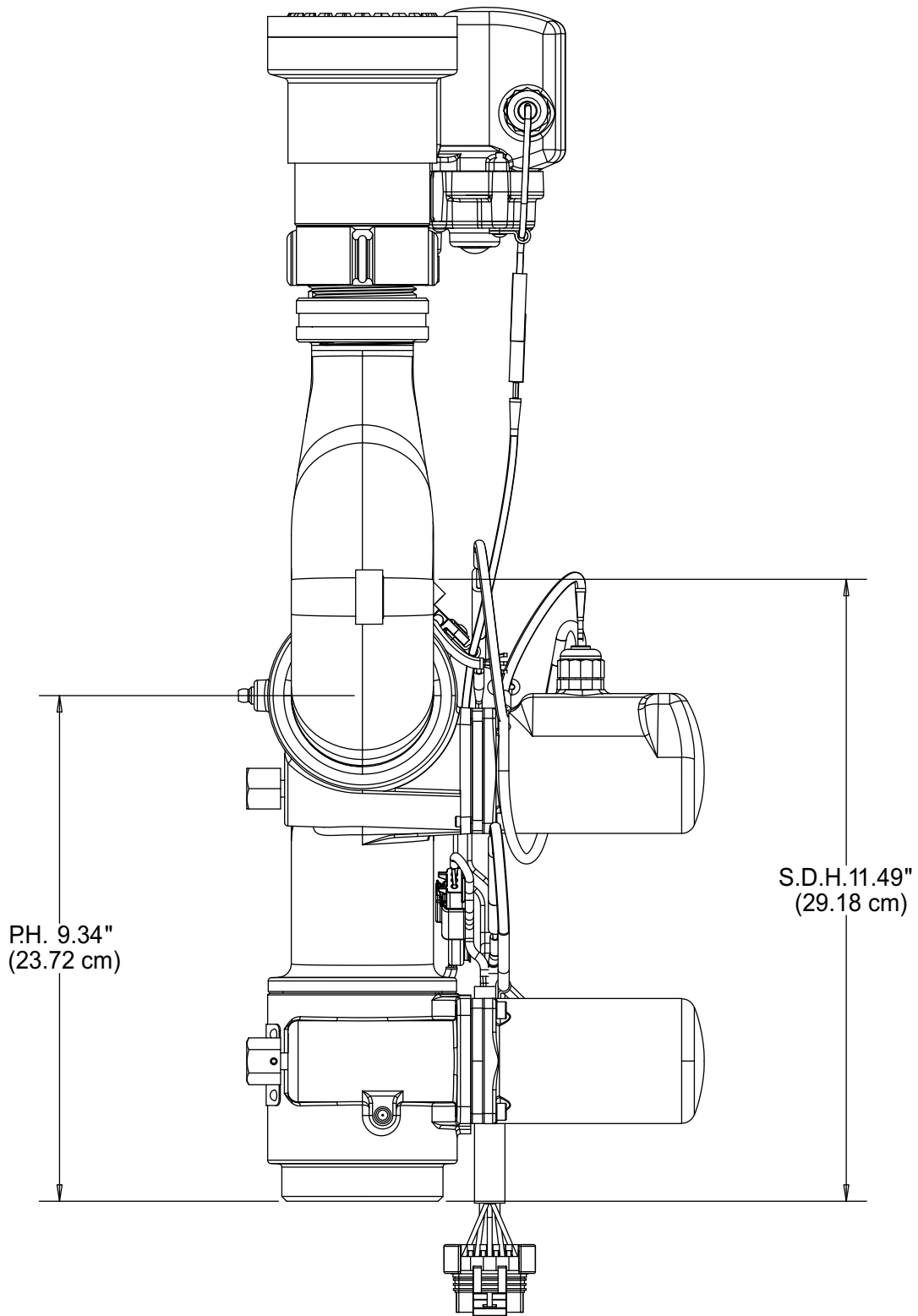
\*TYPICAL - SEE INDIVIDUAL NOZZLE DRAWINGS

	<b>ELKHART BRASS MFG. CO., INC.</b> ELKHART, INDIANA	
	<small>THIS DRAWING CONTAINS INFORMATION THAT IS PROPRIETARY TO ELKHART BRASS MFG. CO., INC. AND MAY NOT BE USED TO PRODUCE ANY PARTS, ASSEMBLIES OR PRODUCTS DESCRIBED HEREIN WITHOUT EXPRESS WRITTEN PERMISSION.</small>	
SIDEWINDER ELECTRIC 8494-01 PAGE 2 OF 5 12/2007	<b>BACK VIEW</b> DIMENSIONAL	



\*TYPICAL - SEE INDIVIDUAL NOZZLE DRAWINGS

 <b>ELKHART BRASS MFG. CO., INC.</b> ELKHART, INDIANA	
<small>THIS DRAWING CONTAINS INFORMATION THAT IS PROPRIETARY TO ELKHART BRASS MFG. CO., INC. AND MAY NOT BE USED TO PRODUCE ANY PARTS, ASSEMBLIES OR PRODUCTS DESCRIBED HEREIN WITHOUT EXPRESS WRITTEN PERMISSION.</small>	
<small>SIDEWINDER ELECTRIC 8494-01 PAGE 3 OF 5 12/2007</small>	<small>TOP VIEW DIMENSIONAL</small>



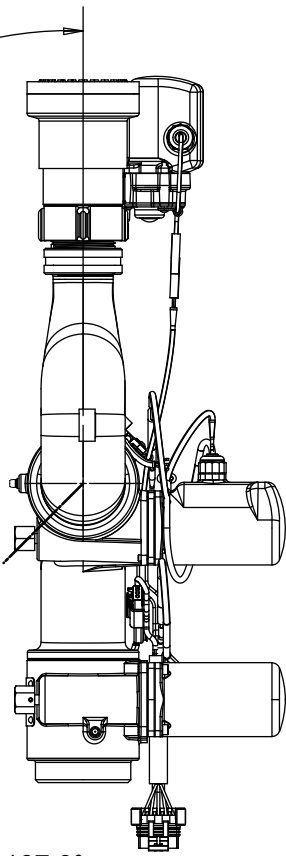
ELKHART BRASS MFG. CO., INC.  
ELKHART, INDIANA

THIS DRAWING CONTAINS INFORMATION THAT IS  
PROPRIETARY TO ELKHART BRASS MFG. CO., INC.  
AND MAY NOT BE USED TO PRODUCE ANY PARTS,  
ASSEMBLIES OR PRODUCTS DESCRIBED HEREIN  
WITHOUT EXPRESS WRITTEN PERMISSION.

SIDEWINDER ELECTRIC 8494-01  
PAGE 4 OF 5  
12/2007

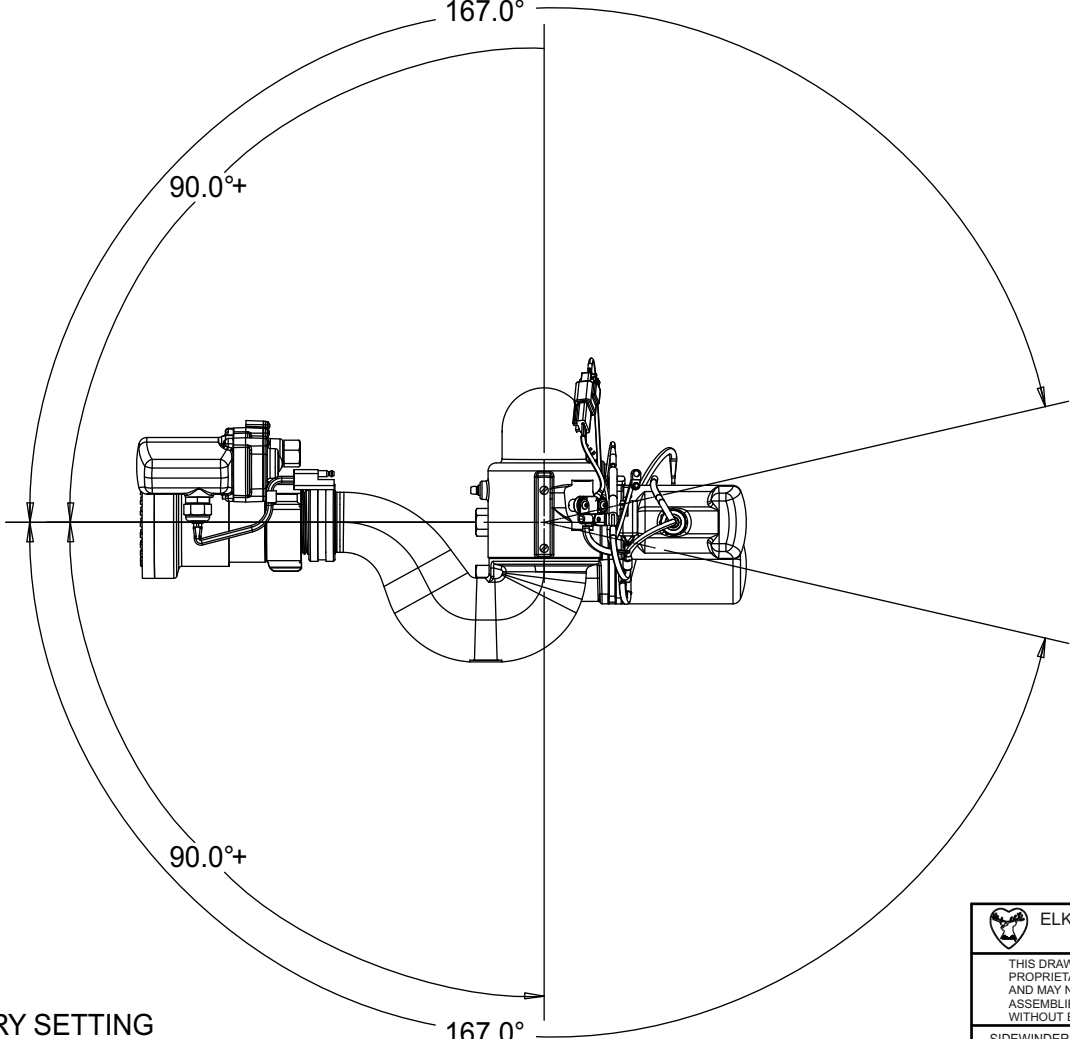
SIDE VIEW  
DIMENSIONAL

135.0°



167.0°

90.0°+



90.0°+

167.0°

+FACTORY SETTING



ELKHART BRASS MFG. CO., INC.  
ELKHART, INDIANA

THIS DRAWING CONTAINS INFORMATION THAT IS  
PROPRIETARY TO ELKHART BRASS MFG. CO., INC.  
AND MAY NOT BE USED TO PRODUCE ANY PARTS,  
ASSEMBLIES OR PRODUCTS DESCRIBED HEREIN  
WITHOUT EXPRESS WRITTEN PERMISSION.

SIDEWINDER ELECTRIC 8494-01  
PAGE 5 OF 5  
12/2007

RANGE OF  
MOTION

## DIMENSIONAL ABBREVIATION KEY\*

ABBREVIATION	DESCRIPTION
D.L.	Discharge Length
H.H.	Handle Height
H.S.R.	Handle Swing Radius
M.D.L.	Monitor Discharge Length
M.H.	Monitor Height
O.D.L.	Overall Discharge Length
O.H.	Overall Height
O.L.	Overall Length
P.H.	Pivot Height
P.R.	Pivot Radius
R.	Radius
S.D.H.	Stow Down Height
W.	Width

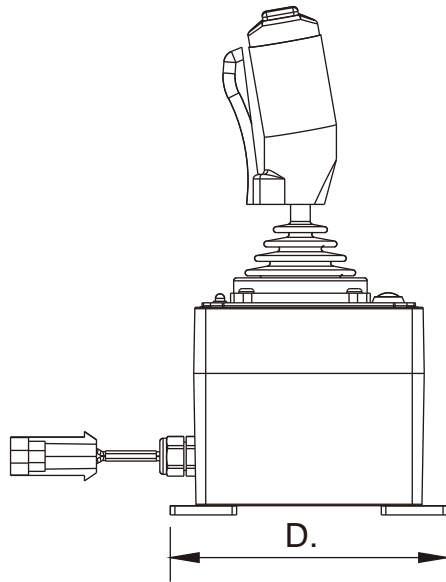
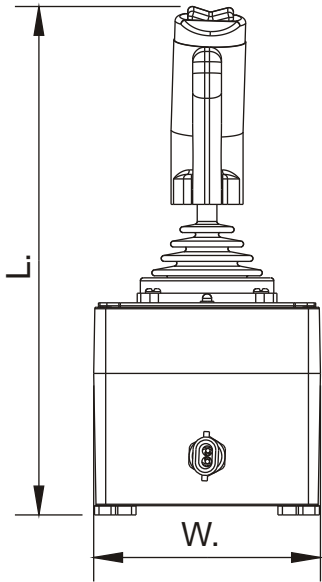
\*Not all abbreviations will be used on every drawing



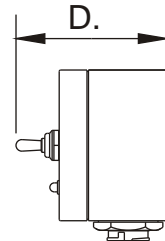
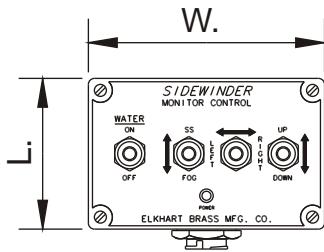
ELKHART BRASS MFG. CO., INC.  
ELKHART, INDIANA

THIS DRAWING CONTAINS INFORMATION THAT IS  
PROPRIETARY TO ELKHART BRASS MFG. CO., INC.  
AND MAY NOT BE USED TO PRODUCE ANY PARTS,  
ASSEMBLIES OR PRODUCTS DESCRIBED HEREIN  
WITHOUT EXPRESS WRITTEN PERMISSION.

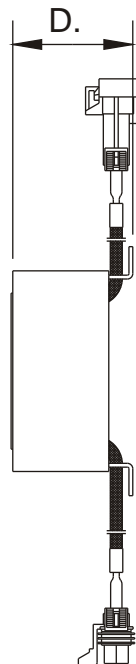
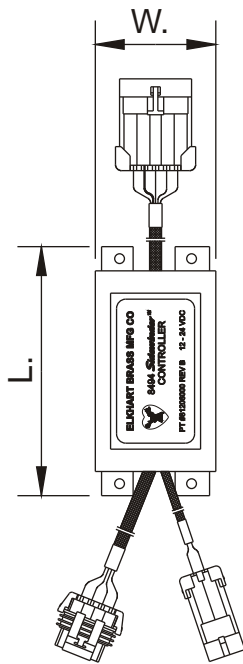
DIMENSIONAL  
KEY  
2/2008



JOYSTICK  
TRANSMITTER



SWITCH BOX



CONTROL  
MODULE



ELKHART BRASS MFG. CO., INC.  
ELKHART, INDIANA

THIS DRAWING CONTAINS INFORMATION THAT IS PROPRIETARY TO ELKHART BRASS MFG. CO., INC. AND MAY NOT BE USED TO PRODUCE ANY PARTS, ASSEMBLIES OR PRODUCTS DESCRIBED HEREIN WITHOUT EXPRESS WRITTEN PERMISSION.

SIDEWINDER ELECTRIC CONTROLS  
PAGE 1 OF 2  
06/2008

DIMENSIONAL  
DRAWING

<b>SIDEWINDER ELECTRIC CONTROLS DIMENSIONAL TABLE</b>			
(In Inches)			
<b>MODEL</b>	<b>LENGTH</b>	<b>DEPTH</b>	<b>WIDTH</b>
<b>JOYSTICK</b>	10.592	5.777	4.724
<b>SWITCH BOX</b>	3.140	3.150	4.920
<b>CONTROL MODULE</b>	5.188	2.500	2.510