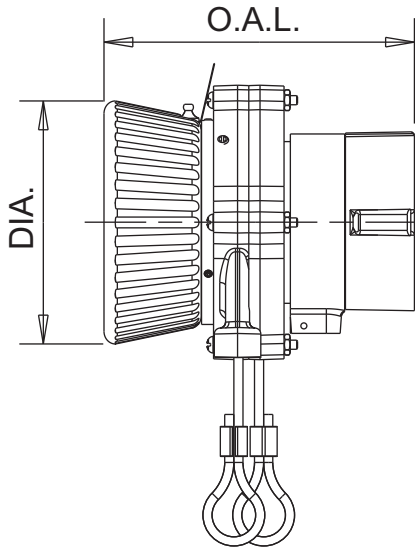
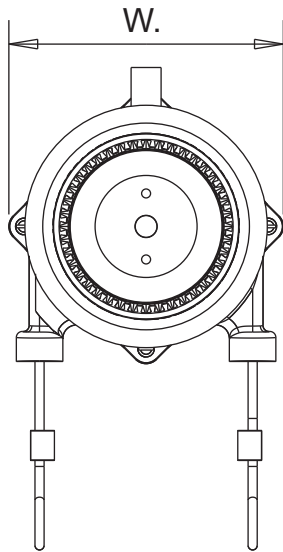
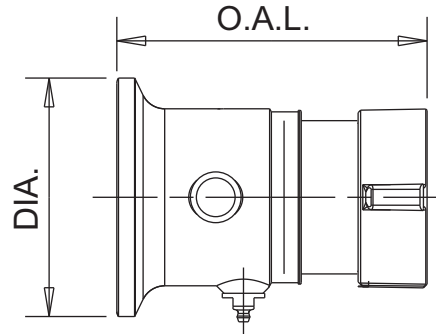
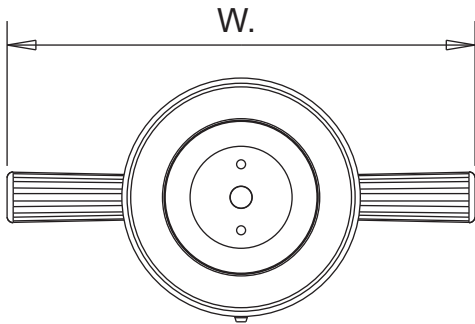


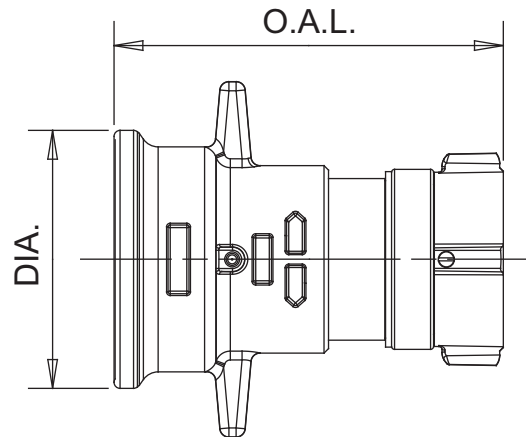
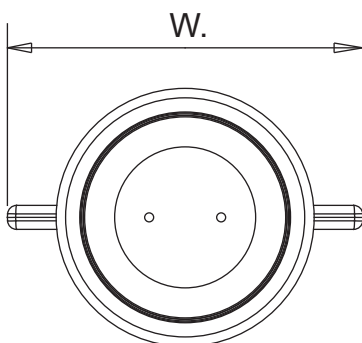
MANUAL




REMOTE



IMS 350/500



IMS 750/1000

 ELKHART BRASS MFG. CO., INC. ELKHART, INDIANA	
THIS DRAWING CONTAINS INFORMATION THAT IS PROPRIETARY TO ELKHART BRASS MFG. CO., INC. AND MAY NOT BE USED TO PRODUCE ANY PARTS, ASSEMBLIES OR PRODUCTS DESCRIBED HEREIN WITHOUT EXPRESS WRITTEN PERMISSION.	
SELECT-O-STREAM PAGE 1 OF 2 11/2014	DIMENSIONAL TABLE

SELECT-O-STREAM DIMENSIONAL TABLE							
(In Inches)							
MODEL	BASE SIZE	TYPE	OVERALL LENGTH (O.A.L.)		DIA.	WIDTH (W.)	WEIGHT (LBS.)
			MAX (S.S.)	MIN (FOG)			
CJ	2.50	Manual	7.25	6.50	5.06	10.56	6.4
CJ-B	2.50	Manual	7.25	6.50	5.06	10.56	12.4
CJ-RC	2.50	Remote	7.25	6.50	5.06	5.63	7.3
CJ-B-RC	2.50	Remote	7.25	6.50	5.06	5.72	15.1
CJN	2.50	Manual	8.50	7.63	5.75	10.69	6.5
CJN-B	2.50	Manual	8.50	7.63	5.75	10.69	15.6
CJN-RC	2.50	Remote	8.50	7.63	5.69	5.69	8.5
CJN-B-RC	2.50	Remote	8.50	7.63	5.69	5.69	17.8
IMS-350	2.50	IMS	8.50	5.50	5.00	9.75	10.8
IMS-500	2.50	IMS	8.50	5.50	5.00	9.75	10.8
IMS-750	2.50	IMS	8.13	6.94	5.38	7.41	13.1
IMS-1000	2.50	IMS	8.13	6.94	5.38	7.41	13.1