

SCORPION RF 8294-06

INDEX #	PART #	QTY	DESCRIPTION
1A	15590001	1	BASE - 4" FLANGE
1B	17957001	1 (Opt)	BASE - 4" NPT
2	57452000	2	O-RING
3	63675000	2	SET SCREW
4	15027000	248	0.250 S/S BALL
5	65075001	3	SCREW DRIVE
6	51862001	12	STOP PLUG
7	81376001	1	INLET BODY ASSEMBLY
8	80978001	1	OUTLET BODY ASSEMBLY
9	39130000	1	GAUGE
10	23544000	1	GAUGE COVER
11	61037000	16	SOCKET HEAD CAP SCREW
12	31011000	2	GREASE FITTING
13	63688000	2	SET SCREW
14	61269000	1	SCREW
15	65127000	2	SOCKET HEAD CAP SCREW
16	57318000	2	O-RING
17	61215000	4	SELF TAPPING SCREW
18	44454000	1	LABEL -SERIAL TAG NUMBER
19	71306001	1	WRENCH - MANUAL OVERRIDE
20	51097000	2	RETAINING PINS
21	63796000	1	SOCKET HEAD CAP SCREW
22	81370001	1	RECEIVER ASSEMBLY
23	57429000	2	O-RING
24	81371001	1	HORIZONTAL MOTOR ASSEMBLY
25	81372001	1	VERTICAL MOTOR ASSEMBLY
26	81377001	2	GEAR CASE ASSEMBLY
27	17877000	1	BUSHING
28	57438000	2	O-RING
29	02525001	1	284-A
30	36837000	1	HARNESS - VERT MOTOR/NOZZLE
31	36836000	1	HARNESS - VERT MOTOR/ENCLOSURE
32	36835000	1	HARNESS - HORZ MOTOR/ENCLOSURE
33	36834000	1	HARNESS - POWER
NOT SHOWN	36820000	1	PIGTAIL

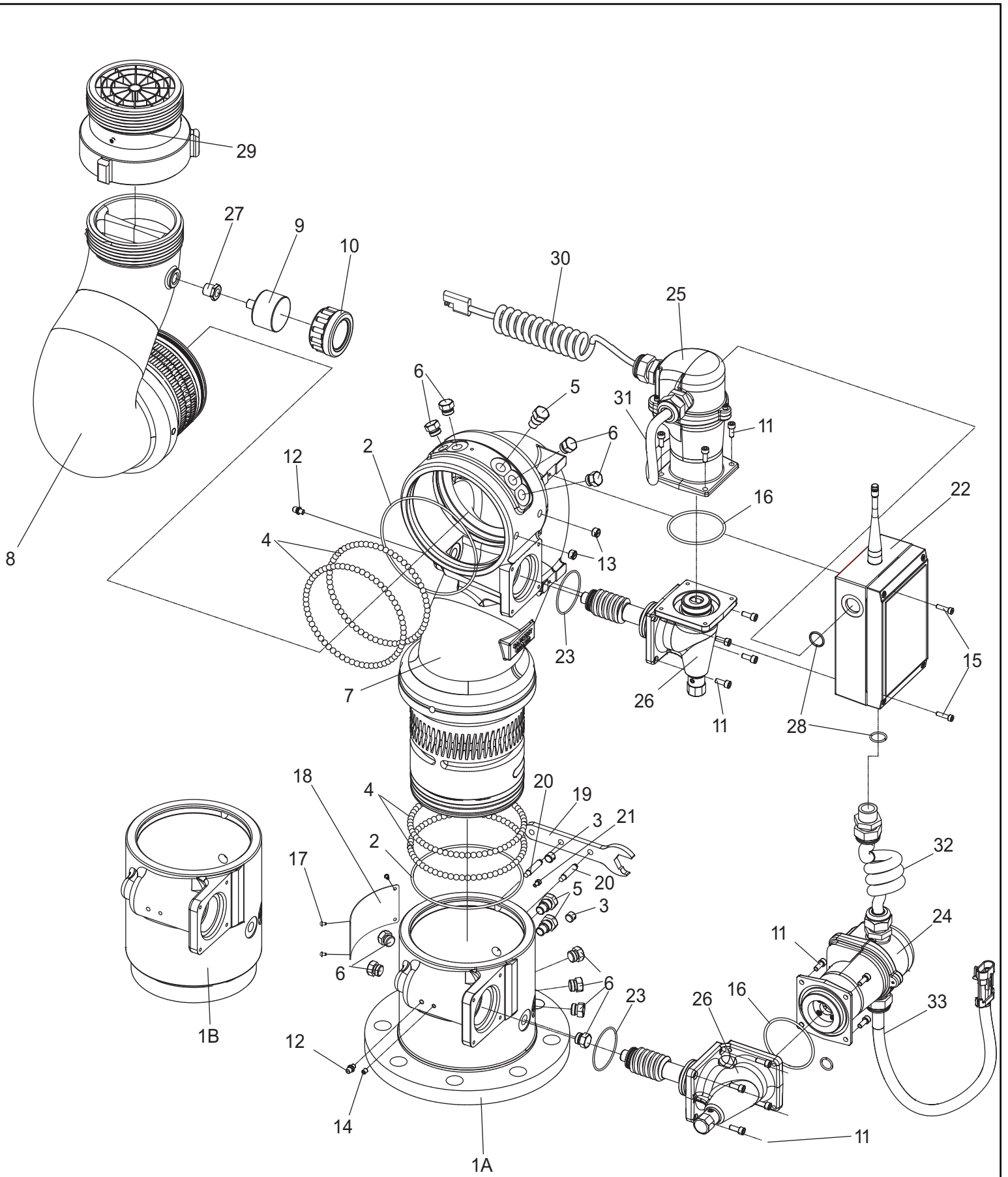


ELKHART BRASS MFG. CO., INC.
ELKHART, INDIANA

THIS DRAWING CONTAINS INFORMATION THAT IS
PROPRIETARY TO ELKHART BRASS MFG. CO., INC.
AND MAY NOT BE USED TO PRODUCE ANY PARTS,
ASSEMBLIES OR PRODUCTS DESCRIBED HEREIN
WITHOUT EXPRESS WRITTEN PERMISSION.


SCORPION-RF 8294-06
PAGE 2 OF 6
04/2014

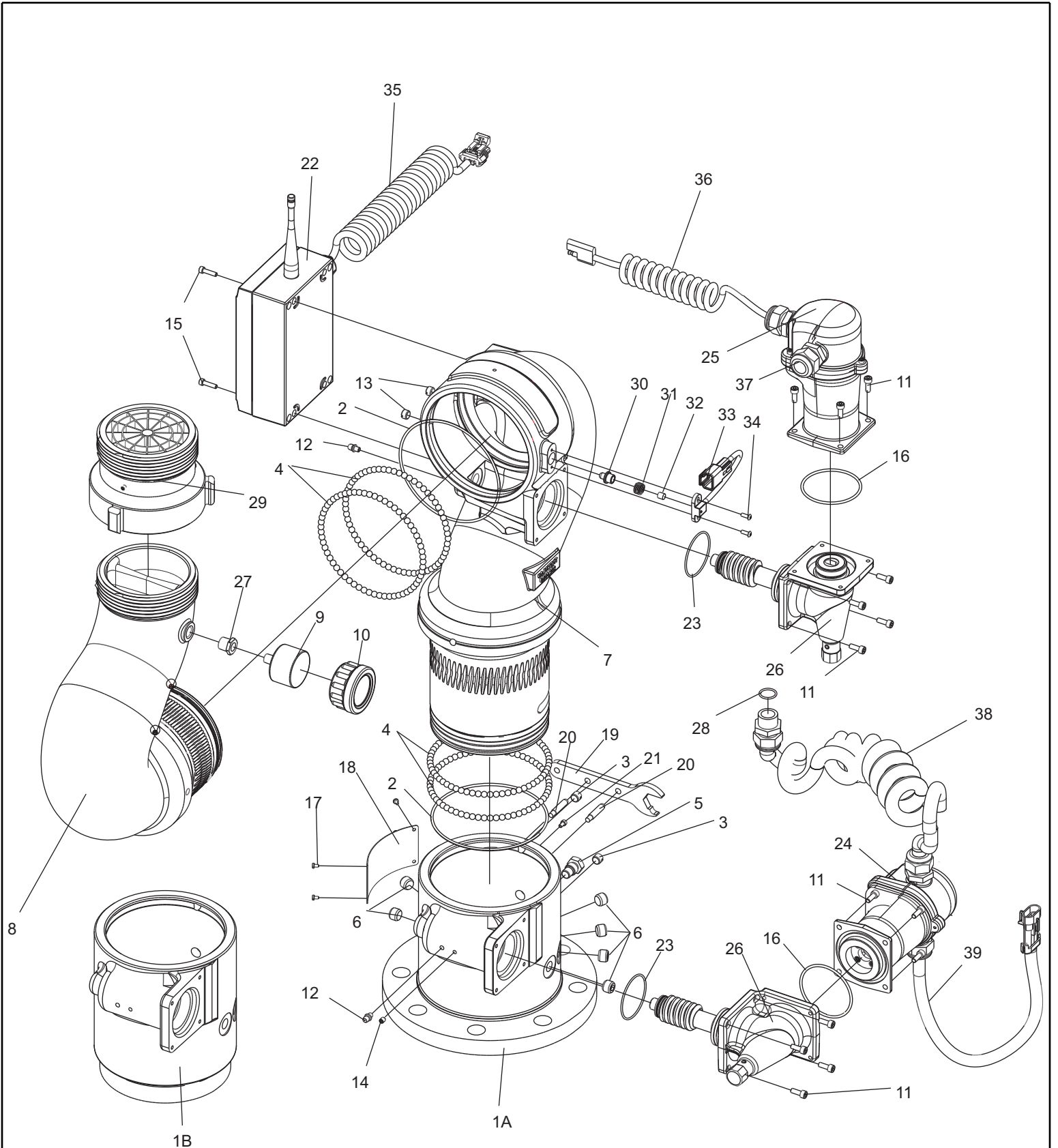
PART
LIST



SCORPION RF 8394-07 (BRASS)

INDEX #	PART #	QTY	DESCRIPTION
1A	15593301	1	BASE - 4" 150# FLANGE
1B	17956301	1 (Opt)	BASE - 4" NPT
2	57452000	2	O-RING
3	61221000	2	SET SCREW
4	15027000	248	0.250 S/S BALL
5	65075001	3	SCREW DRIVE
6	51863000	7	STOP PLUG
7	81428001	1	INLET BODY ASSEMBLY
8	81187001	1	OUTLET BODY ASSEMBLY
9	39130000	1	GAUGE
10	23544000	1	GAUGE COVER
11	61037000	16	SOCKET CAP SCREW
12	31011000	2	GREASE FITTING
13	61248000	2	SET SCREW
14	61269000	1	SCREW
15	65127000	2	SOCKET CAP SCREW
16	57318000	2	O-RING
17	61215000	4	SELF TAPPING SCREW
18	44454000	1	LABEL -SERIAL TAG NUMBER
19	71306001	1	WRENCH - MANUAL OVERRIDE
20	51097000	2	RETAINING PINS
21	63796000	1	SOCKET CAP SCREW
22	81370001	1	RECEIVER ASSEMBLY
23	57429000	2	O-RING
24	81426001	1	HORIZONTAL MOTOR ASSEMBLY
25	81427001	1	VERTICAL MOTOR ASSEMBLY
26	81429001	2	GEAR CASE ASSEMBLY
27	17877000	1	BUSHING
28	57438000	2	O-RING
29	02529002	1	284-B
30	36837000	1	HARNESS - VERT MOTOR/NOZZLE
31	36836000	1	HARNESS - VERT MOTOR/ENCLOSURE
32	36835000	1	HARNESS - HORZ MOTOR/ENCLOSURE
33	36834000	1	HARNESS - POWER
NOT SHOWN	36820000	1	PIGTAIL

	ELKHART BRASS MFG. CO., INC. ELKHART, INDIANA
<small>THIS DRAWING CONTAINS INFORMATION THAT IS PROPRIETARY TO ELKHART BRASS MFG. CO., INC. AND MAY NOT BE USED TO PRODUCE ANY PARTS, ASSEMBLIES OR PRODUCTS DESCRIBED HEREIN WITHOUT EXPRESS WRITTEN PERMISSION.</small>	
SCORPION-RF 8394-07 PAGE 4 OF 6 04/2014	PART LIST



SCORPION RF 8294-06EXT

INDEX #	PART #	QTY	DESCRIPTION
1A	15590001	1	BASE - 4" 150# FLANGE
1B	17957001	1 (Opt)	BASE - 4" NPT
2	57452000	2	O-RING
3	63675000	2	SET SCREW
4	15027000	248	1/4" S/S BALL
5	65075001	1	SCREW DRIVE
6	63700000	9	STOP PLUG
7	81494001	1	INLET BODY ASSEMBLY
8	81467001	1	OUTLET BODY ASSEMBLY
9	39130000	1	GAUGE
10	23544000	1	GAUGE COVER
11	61037000	16	SOCKET CAP SCREW
12	31011000	2	GREASE FITTING
13	63688000	2	SET SCREW
14	61269000	1	SCREW
15	65127000	2	SOCKET CAP SCREW
16	57318000	2	O-RING
17	61215000	4	SELF TAPPING SCREW
18	44454000	1	LABEL -SERIAL TAG NUMBER
19	71306001	1	WRENCH - MANUAL OVERRIDE
20	51097000	2	RETAINING PINS
21	63796000	1	SOCKET CAP SCREW
22	81495001	1	RECEIVER ASSEMBLY
23	57429000	2	O-RING
24	81371001	1	HORIZONTAL MOTOR ASSEMBLY
25	81372001	1	VERTICAL MOTOR ASSEMBLY
26	81377001	2	GEAR CASE ASSEMBLY
27	17877000	1	BUSHING
28	57438000	2	O-RING
29	02525001	1	284-A
30	64057001	1	SAFETY INTERLOCK SHAFT
31	62150000	1	SPRING
32	46050000	1	MAGNET
33	65104000	1	SENSOR
34	64073000	2	CAP SCREW
35	36835500	1	HARNESS - SENSOR/SWITCH
36	36837000	1	HARNESS - VERT MOTOR/NOZZLE
37	36836000	1	HARNESS - VERT MOTOR/ENCLOSURE
38	36835000	1	HARNESS - HORZ MOTOR/ENCLOSURE
39	36834000	1	HARNESS - POWER
NOT SHOWN	36820000	1	PIGTAIL
NOT SHOWN	36820500	1	SENSOR PIGTAIL



ELKHART BRASS MFG. CO., INC.
ELKHART, INDIANA

THIS DRAWING CONTAINS INFORMATION THAT IS
PROPRIETARY TO ELKHART BRASS MFG. CO., INC.
AND MAY NOT BE USED TO PRODUCE ANY PARTS,
ASSEMBLIES OR PRODUCTS DESCRIBED HEREIN
WITHOUT EXPRESS WRITTEN PERMISSION.

SCORPION-RF 8294-06 EXT
PAGE 6 OF 6
04/2014

PART
LIST