
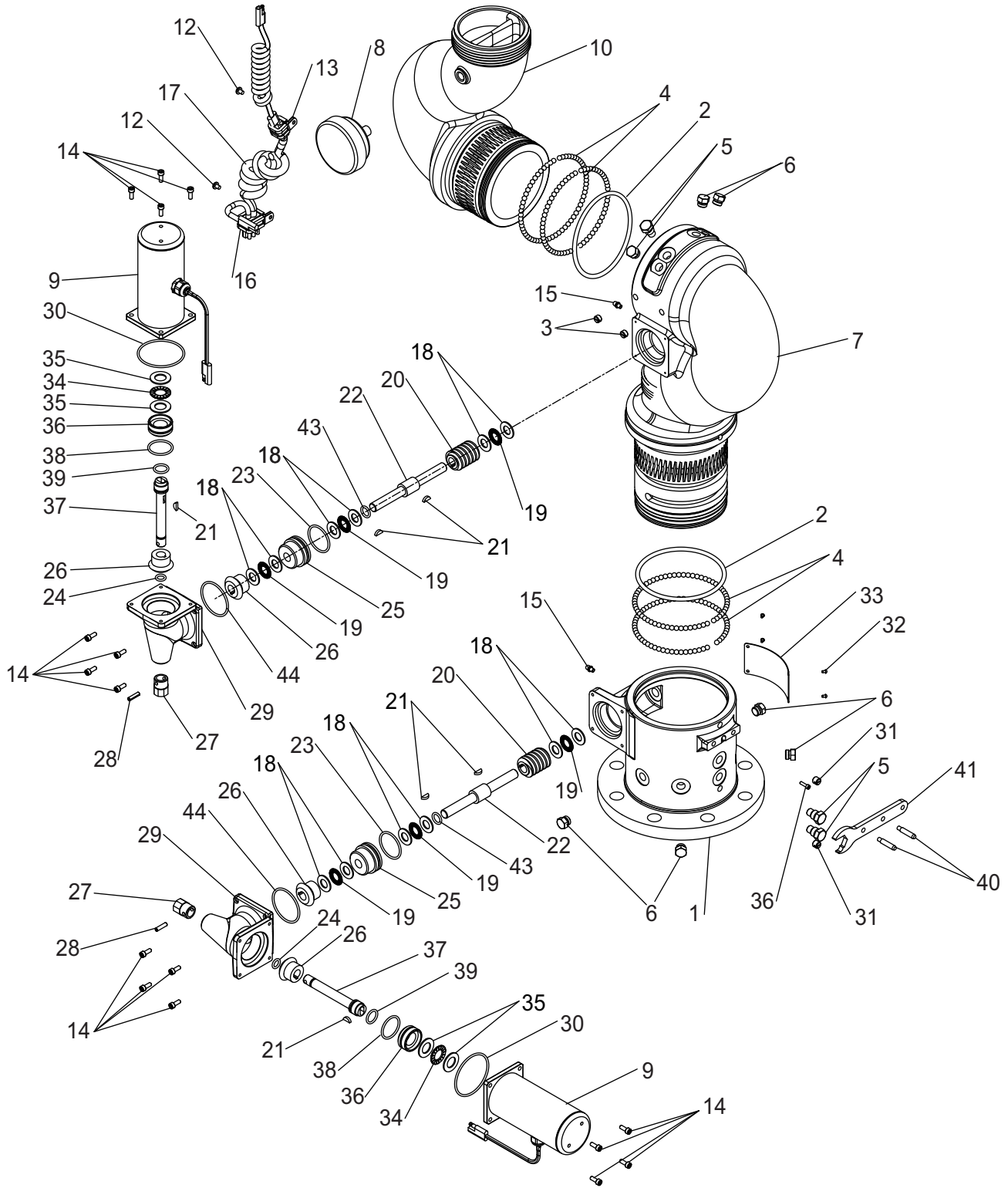
 ELKHART BRASS MFG. CO., INC. ELKHART, INDIANA	
<small>THIS DRAWING CONTAINS INFORMATION THAT IS PROPRIETARY TO ELKHART BRASS MFG. CO., INC. AND MAY NOT BE USED TO PRODUCE ANY PARTS, ASSEMBLIES OR PRODUCTS DESCRIBED HEREIN WITHOUT EXPRESS WRITTEN PERMISSION.</small>	
SCORPION ELECTRIC 8294-04 PAGE 1 OF 4 08/2014	PART DRAWING

SCORPION ELECTRIC 8294-04

ITEM #	PART #	QTY	DESCRIPTION
1	15590001	1	BASE - 4" 150# FLANGE
2	57452000	2	O-RING
3	63688000	2	SLT SET SCR NYLON
4	15027000	248	BALL - .250 DIA S/S
5	65075001	3	SCREW - DRIVE CAM
6	51862001	12	PLUG - STOP
7	81395001	1	INLET BODY SUB ASS'Y.
8	33587000	1	PRESSURE GAUGE
9	81274001	2	MOTOR - ELECTRIC*
10	80978001	1	OUTLET BODY SUB ASS'Y.
11	81074001	1	SPARE PART (NOT SHOWN)
12	63797000	2	PHILPS PAN SCR SS
13	23566000	1	CLAMP - LOOP CUSHIONED
14	61037000	16	SOC CAP SCR SS
15	31011000	2	FITTING - GREASE
16	23567000	1	CLAMP - LOOP CUSHIONED
17	80812000	1	WIRING HARNESS ASS'Y
18	71511000	12	WASHER - THRUST
19	15698000	6	BEARING - THRUST
20	71246000	2	GEAR - WORM
21	42002000	6	KEY - WOODRUFF
22	63936001	2	SHAFT - WORM
23	57336000	2	O-RING
24	57298000	2	O-RING
25	63606001	2	SPACER - BEARING
26	33692000	4	GEAR - MITER
27	47651001	2	NUT - OVERRIDE
28	51224000	2	ROLL PIN
29	20398001	2	GEAR CASE
30	57318000	2	O-RING
31	63675000	2	SLT SET SCR NYLON
32	61215100	4	RD HD DRIVE SCR S/S
33	44333000	1	LABEL - SCORPION
34	51097000	2	PIN - RETAINING
35	71306001	1	WRENCH
36	63796000	1	SOCKET CAP SCREW S/S
37	15699000	2	BEARING - THRUST
38	71513000	4	WASHER - THRUST
39	17707001	2	BEARING - BUSHING
40	63945001	2	SHAFT - GEAR
41	57337000	2	O-RING
42	57295000	2	O-RING
43	57321000	2	O-RING
44	57429000	2	O-RING


*Pre '02 Scorpion 8294-04 replacement kit is 81301001 and pre '02 Scorpion 8294-01 replacement kit is 81453001.

 ELKHART BRASS MFG. CO., INC. ELKHART, INDIANA	
THIS DRAWING CONTAINS INFORMATION THAT IS PROPRIETARY TO ELKHART BRASS MFG. CO., INC. AND MAY NOT BE USED TO PRODUCE ANY PARTS, ASSEMBLIES OR PRODUCTS DESCRIBED HEREIN WITHOUT EXPRESS WRITTEN PERMISSION.	
SCORPION ELECTRIC 8294-04 PAGE 2 OF 4 01/2008	PART LIST



SCORPION ELECTRIC 8394-04 (BRASS)

ITEM #	PART #	QTY	DESCRIPTION
1	15593001	1	BASE- 4" 150# FLANGE
2	57452000	2	O-RING
3	61248000	2	SET SCREW BRASS
4	15027000	248	BALL - .250 DIA. S/S
5	65075001	3	SCREW - DRIVE CAM
6	51863000	7	PLUG - STOP
7	81053001	1	INLET BODY SUB ASS'Y.
8	33587000	1	PRESSURE GAUGE
9	81274001	2	MOTOR - ELECTRIC
10	81054001	1	OUTLET BODY SUB ASS'Y.
11	81215001	1	SPARE PART (NOT SHOWN)
12	63797000	2	PHILPS PAN SCR SS
13	23566000	1	CLAMP - LOOP CUSHIONED
14	61037000	16	SOCKET CAP SCR S/S
15	31011000	2	FITTING - GREASE
16	23567000	1	CLAMP - LOOP CUSHIONED
17	80812000	1	WIRING HARNESS ASS'Y
18	71511000	12	WASHER - THRUST
19	15698000	6	BEARING - THRUST
20	71246000	2	GEAR - WORM
21	42002000	6	KEY - WOODRUFF
22	63936001	2	SHAFT - WORM
23	57336000	2	O-RING
24	57298000	2	O-RING
25	65559001	2	SPACER - BEARING
26	33692000	4	GEAR - MITER
27	47651001	2	NUT - OVERRIDE
28	51224000	2	ROLL PIN
29	20399001	2	GEAR CASE
30	57318000	2	O-RING
31	61221000	2	SLT SET SCR NYLON
32	61215100	4	DRIVE SCREW S/S
33	44344000	1	LABEL - SCORPION
34	15699000	2	BEARING - THRUST
35	71513000	4	WASHER - THRUST
36	17707001	2	BEARING - BUSHING
37	63945001	2	SHAFT - GEAR
38	57337000	2	O-RING
39	57295000	2	O-RING
40	51097000	2	PIN - RETAINING
41	71306001	1	WRENCH
42	63796000	1	SOCKET CAP SCREW S/S
43	57429000	2	O-RING
44	57321000	2	O-RING

 ELKHART BRASS MFG. CO., INC. ELKHART, INDIANA	
<small>THIS DRAWING CONTAINS INFORMATION THAT IS PROPRIETARY TO ELKHART BRASS MFG. CO., INC. AND MAY NOT BE USED TO PRODUCE ANY PARTS, ASSEMBLIES OR PRODUCTS DESCRIBED HEREIN WITHOUT EXPRESS WRITTEN PERMISSION.</small>	
<small>SCORPION ELECTRIC 8394-04 PAGE 4 OF 4 01/2008</small>	<small>PART LIST</small>