



**SELECT-O-MATIC TIPS  
(TSM-3F)**

<b>INDEX #</b>	<b>MODEL</b>	<b>PART #</b>	<b>QTY</b>	<b>DESCRIPTION</b>
1	TSM-3F	33653000	1	Bumper -Yellow (STD)
2	TSM-3F	63780000	2	Cap Screw
3	TSM-3F	57612001	1	Retaining Ring
4	TSM-3F	58872000	1	Spinning Teeth
5	TSM-3F	66367001	1	Nozzle Tip
6	TSM-3F	57661000	1	Retaining Ring
7	TSM-3F	57310000	1	O-Ring
8	TSM-3F	71114001	1	Washer
9	TSM-3F	61670001	1	Sleeve - Tip
10	TSM-3F	44284000	1	Label - Stream Pattern
11	TSM-3F	65129000	2	Torx Screw
12	TSM-3F	80475101	1	Power Cell Quad
13	TSM-3F	44347000	1	Label - Identification
14	TSM-3F	57334000	1	O-Ring
15	TSM-3F	15031000	28	.125 Ball S/S
16	TSM-3F	10344001	1	Adapter (1" NHT Swivel)
17	TSM-3F	61269000	1	Set Screw S/S (1" NHT Swivel)
18	TSM-3F	63104001	1	Swivel (1" NHT Swivel)
19	TSM-3F	33069000	1	Gasket - Rubber (1" NHT Swivel)



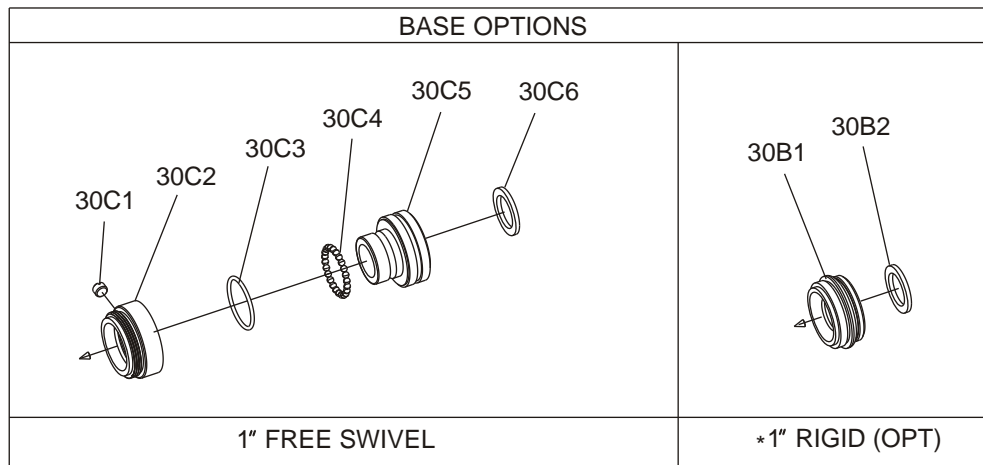
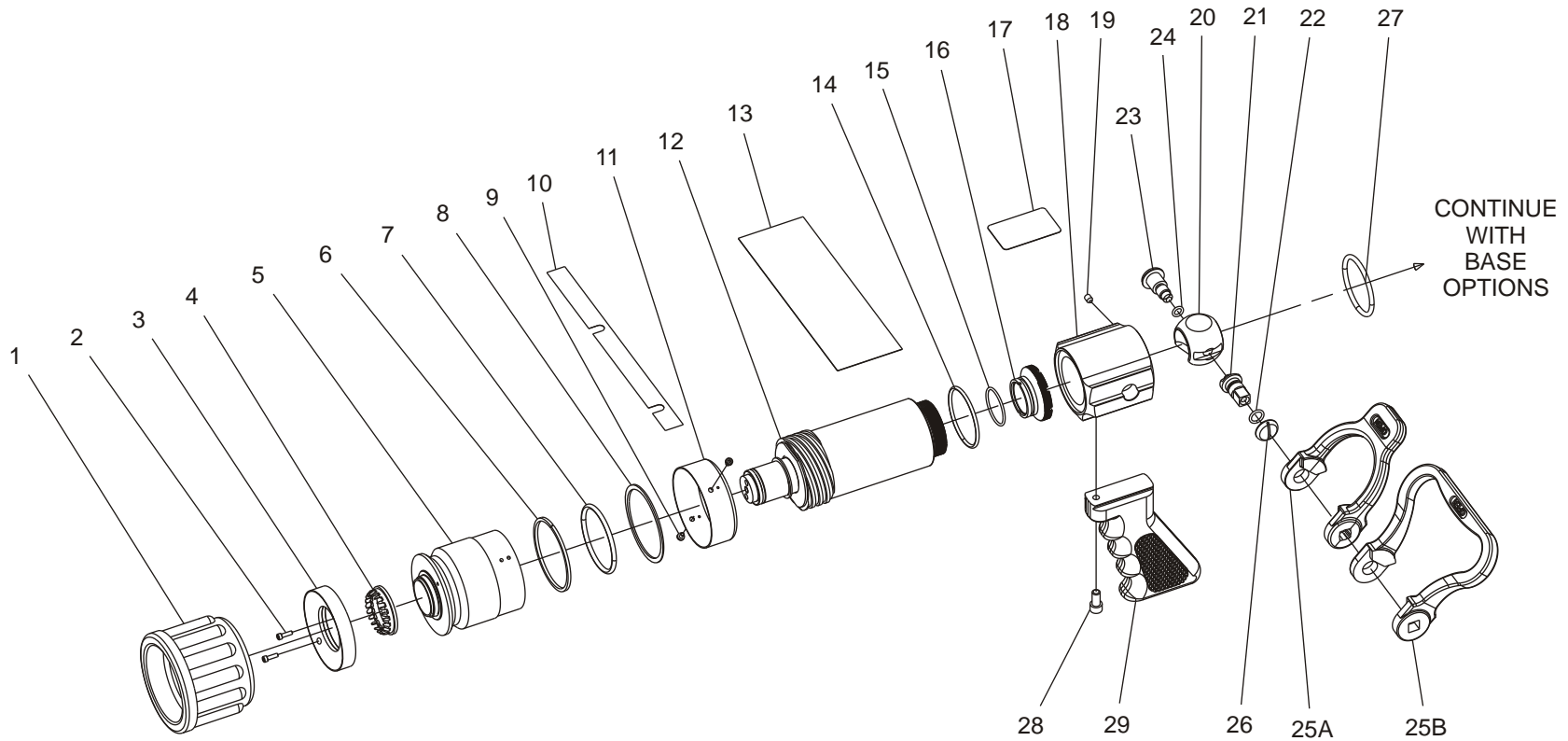
ELKHART BRASS MFG. CO., INC.  
ELKHART, INDIANA


THIS DRAWING CONTAINS INFORMATION THAT IS  
PROPRIETARY TO ELKHART BRASS MFG. CO., INC.  
AND MAY NOT BE USED TO PRODUCE ANY PARTS,  
ASSEMBLIES OR PRODUCTS DESCRIBED HEREIN  
WITHOUT EXPRESS WRITTEN PERMISSION.

SELECT-O-MATIC TIPS  
PAGE 2 OF 17  
03/2008

PART  
LIST

**SELECT-O-MATIC NOZZLES  
(SM-3F, SM-3FG)**





**ELKHART BRASS MFG. CO., INC.**  
 ELKHART, INDIANA  
THIS DRAWING CONTAINS INFORMATION THAT IS PROPRIETARY TO ELKHART BRASS MFG. CO., INC. AND MAY NOT BE USED TO PRODUCE ANY PARTS, ASSEMBLIES OR PRODUCTS DESCRIBED HEREIN WITHOUT EXPRESS WRITTEN PERMISSION.  
 SELECT-O-MATIC NOZZLES  
 PAGE 3 OF 17  
 03/2008

PART DRAWING

\*NOT RECOMMENDED FOR PISTOL GRIP

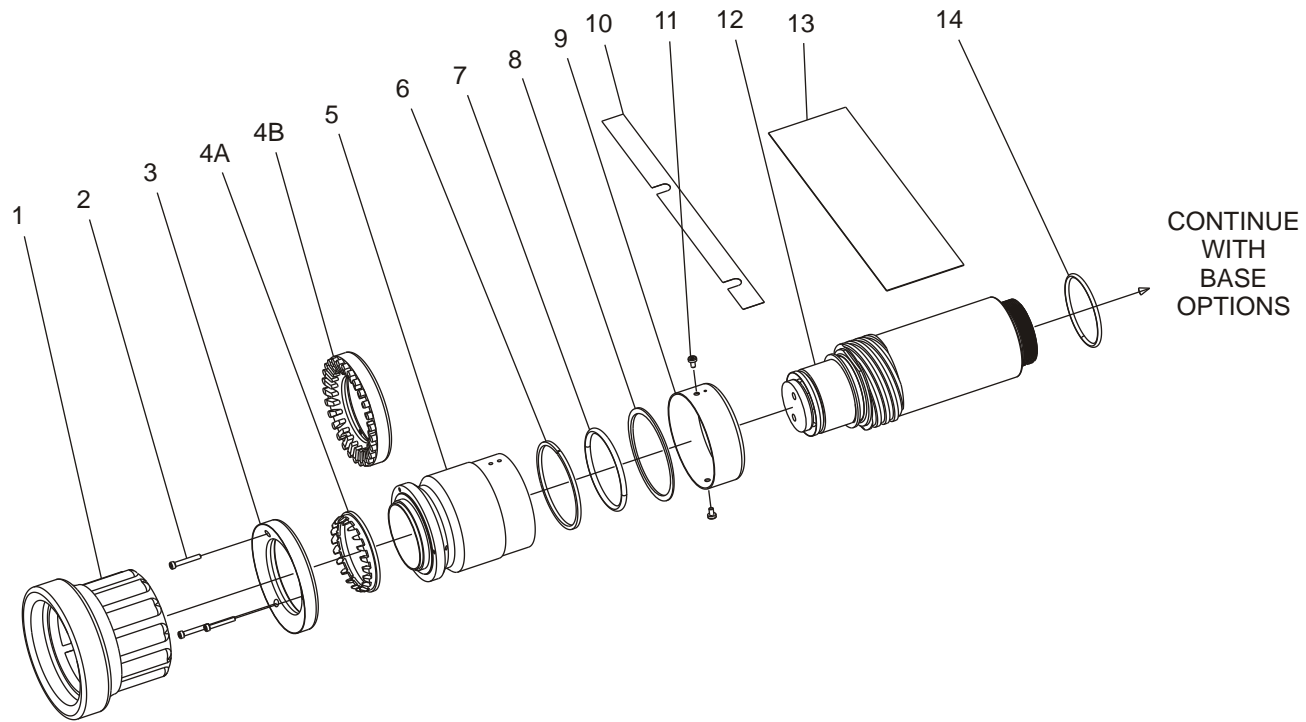
**SELECT-O-MATIC NOZZLES  
(SM-3F, SM-3FG)**

INDEX #	MODEL	PART #	QTY	DESCRIPTION
1	ALL	33653000	1	Bumper - Yellow (STD)
2	ALL	63780000	2	Cap Screw
3	ALL	57612001	1	Retaining Ring
4	ALL	58872000	1	Spinning Teeth
5	ALL	66367001	1	Nozzle Tip
6	ALL	57661000	1	Ring - Split
7	ALL	57310000	1	O-Ring
8	ALL	71114001	1	Washer
9	ALL	65129000	2	Torx Screw
10	ALL	44284000	1	Label - Stream Pattern
11	ALL	61670001	1	Sleeve - Tip
12	ALL	80475101	1	Power Cell Quad
13	ALL	SPECIFY	1	Label - Identification
14	ALL	57334000	1	O-Ring
15	ALL	57327000	2	O-Ring
16	ALL	61357000	2	Seal Adjustable
17	ALL	44283000	1	Label - Open & Close
18	ALL	16965001	2	Body - Shut-Off
19	ALL	61269000	1	Screw
20	ALL	15076000	2	Ball - 1.0 (Acetal)
21	ALL	63755000	2	Shaft - Actuator (Square)
22	ALL	57298000	2	O-Ring
23	ALL	63708000	2	Screw - Pivot (S/S)
24	ALL	57348000	2	O-Ring
25A	ALL	36276004	1	Tab Handle - Chrome (STD)
25B	ALL	36085004	1	Horseshoe Handle - Chrome
26	ALL	61286000	2	Screw-Actuator Shaft
27	ALL	57309000	1	O-Ring
28	SM-3FG	61040000	1	Screw S/S
29	SM-3FG	33781001	1	Pistol Grip - Elk-O-Lite (STD)*
30B1	ALL	15429001	1	Base (1" NHT Rigid)
30B2	ALL	33091000	1	Gasket - Rubber (1" NHT Rigid)
30C1	ALL	63688000	1	Set - Screw (1" NHT Free Swivel)
30C2	ALL	11607001	1	Adapter - Base (1" NHT Free Swivel)
30C3	ALL	57336000	1	O-Ring (1" NHT Free Swivel)
30C4	ALL	15018000	24	.187 Ball S/S (1" NHT Free Swivel)
30C5	ALL	16760001	1	Adapter - Base (1" NHT Free Swivel)
30C6	ALL	33091000	1	Gasket - Rubber (1" NHT Free Swivel)

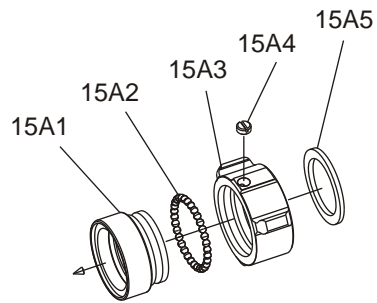
	ELKHART BRASS MFG. CO., INC. ELKHART, INDIANA
THIS DRAWING CONTAINS INFORMATION THAT IS PROPRIETARY TO ELKHART BRASS MFG. CO., INC. AND MAY NOT BE USED TO PRODUCE ANY PARTS, ASSEMBLIES OR PRODUCTS DESCRIBED HEREIN WITHOUT EXPRESS WRITTEN PERMISSION.	
SELECT-O-MATIC NOZZLES PAGE 4 OF 17 03/2008	PART LIST

\* RECOMMENDED WITH FREE SWIVEL BASE ONLY

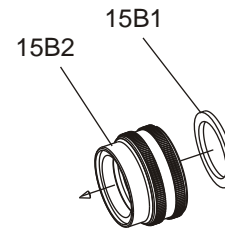
## SELECT-O-MATIC TIPS (TSM-10F)



### BASE OPTIONS



\*1.5" SWIVEL (STD)



\*1.5" RIGID (OPT)



ELKHART BRASS MFG. CO., INC.  
ELKHART, INDIANA

THIS DRAWING CONTAINS INFORMATION THAT IS PROPRIETARY TO ELKHART BRASS MFG. CO., INC. AND MAY NOT BE USED TO PRODUCE ANY PARTS, ASSEMBLIES OR PRODUCTS DESCRIBED HEREIN WITHOUT EXPRESS WRITTEN PERMISSION.

SELECT-O-MATIC TIPS  
PAGE 5 OF 17  
03/2008

PART  
DRAWING

\* NOT RECOMMENDED FOR PISTOL GRIP

**SELECT-O-MATIC TIPS  
(TSM-10F)**

<b>INDEX #</b>	<b>MODEL</b>	<b>PART #</b>	<b>QTY</b>	<b>DESCRIPTION</b>
1	TSM-10F	33654000	1	Bumper - Yellow (STD)
2	TSM-10F	64069000	3	Cap Screw
3	TSM-10F	57618001	1	Retaining Ring
4A	TSM-10F	58870000	1	Spinning Teeth
4B	TSM-10F	58976000	1	Teeth Ring Molded
5	TSM-10F	66366001	1	Nozzle Tip
6	TSM-10F	57661000	1	Ring - Split
7	TSM-10F	57310000	1	O-Ring
8	TSM-10F	71114001	1	Washer
9	TSM-10F	61670001	1	Sleeve - Tip
10	TSM-10F	65129000	2	Torx Screw
11	TSM-10F	SPECIFY	1	Label - Stream Pattern
12	TSM-10F	80488101	1	Power Cell Quad
13	TSM-10F	44290000	1	Label - Identification
14	TSM-10F	57334000	1	O-Ring
15A1	TSM-10F	10337001	1	Adapter (1.5" NHT Swivel)
15A2	TSM-10F	15018000	32	.187 Ball S/S (1.5" NHT Swivel)
15A3	TSM-10F	63674000	1	Screw Set (1.5" NHT Swivel)
15A4	TSM-10F	63068001	1	Swivel (1.5" NHT Swivel)
15A5	TSM-10F	33074000	1	Gasket - Rubber (1.5" NHT Swivel)
15B1	TSM-10F	15443001	1	Base (1.5" NHT Rigid)
15B2	TSM-10F	33074000	1	Gasket - Rubber (1.5" NHT Rigid)



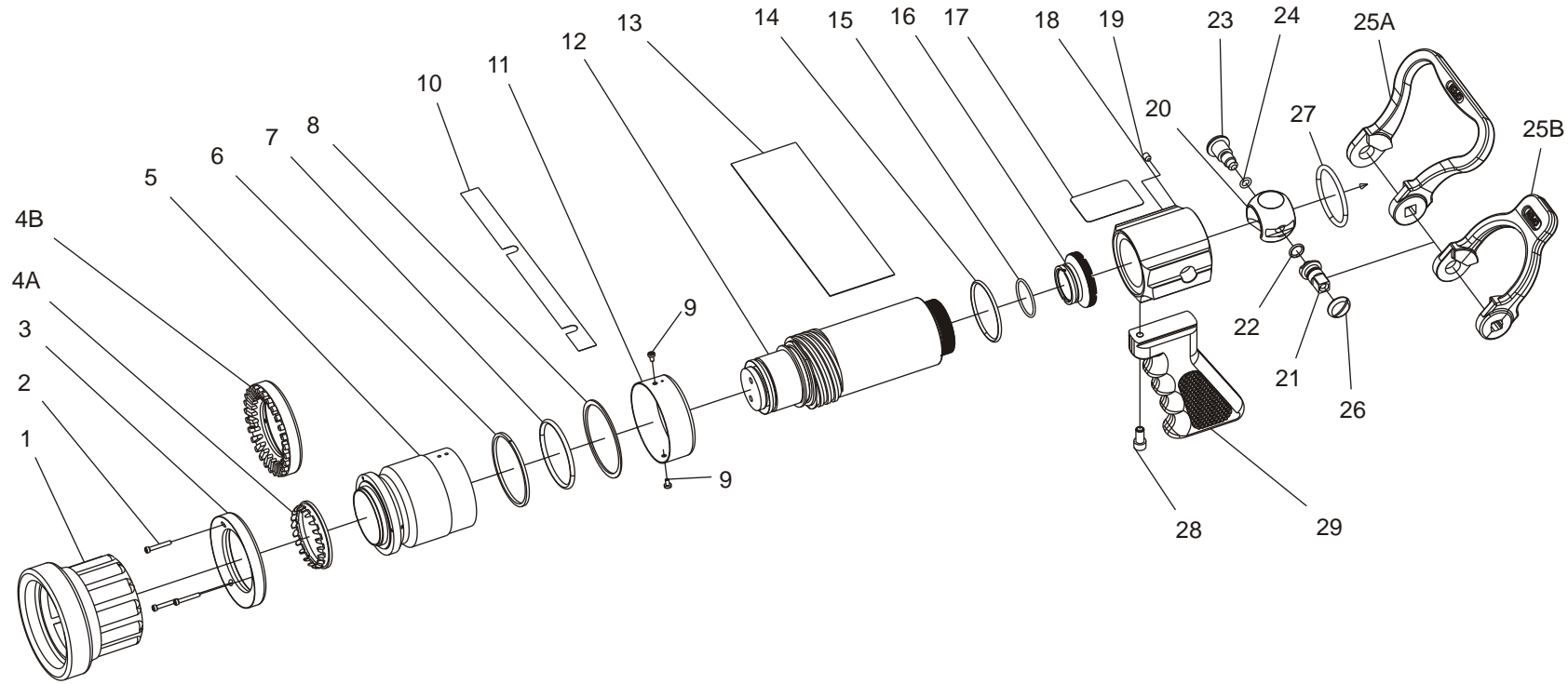
ELKHART BRASS MFG. CO., INC.  
ELKHART, INDIANA

THIS DRAWING CONTAINS INFORMATION THAT IS  
PROPRIETARY TO ELKHART BRASS MFG. CO., INC.  
AND MAY NOT BE USED TO PRODUCE ANY PARTS,  
ASSEMBLIES OR PRODUCTS DESCRIBED HEREIN  
WITHOUT EXPRESS WRITTEN PERMISSION.

SELECT-O-MATIC TIPS  
PAGE 6 OF 17  
03/2008

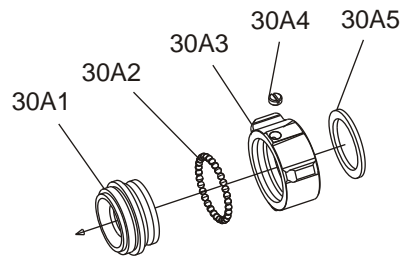
PART  
LIST

**SELECT-O-MATIC NOZZLES  
(SM-10F, SM-10FG, SM-10FB)**

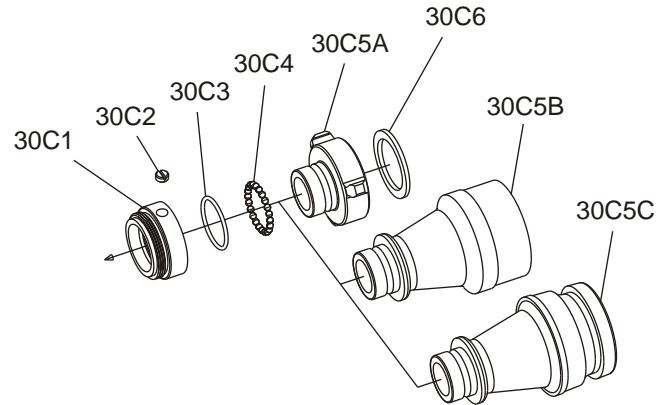


CONTINUE  
WITH  
BASE  
OPTIONS

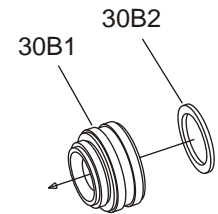
**BASE OPTIONS**



\*1.5" SWIVEL (STD)



1.5" FREE SWIVEL  
STD FOR PISTOL GRIP



\*1.5" RIGID (OPT)



ELKHART BRASS MFG. CO., INC.  
ELKHART, INDIANA

THIS DRAWING CONTAINS INFORMATION THAT IS  
PROPRIETARY TO ELKHART BRASS MFG. CO., INC.  
AND MAY NOT BE USED TO PRODUCE ANY PARTS,  
ASSEMBLIES OR PRODUCTS DESCRIBED HEREIN  
WITHOUT EXPRESS WRITTEN PERMISSION.

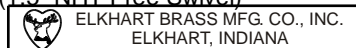
SELECT-O-MATIC NOZZLES  
PAGE 7 OF 17  
03/2008

PART  
DRAWING

\* NOT RECOMMENDED FOR PISTOL GRIP

**SELECT-O-MATIC NOZZLES  
(SM-10F, SM-10FG, SM-10FB)**

INDEX #	MODEL	PART #	QTY	DESCRIPTION	INDEX #	MODEL	PART #	QTY	DESCRIPTION
1	ALL	33654000	1	Bumper - Yellow (STD)	26	ALL	61286000	1	Screw - Actuator Shaft S/S
2	SM-10F	64069000	3	Cap Screw	27	ALL	57309000	1	O-Ring
2	SM-10FG	64069000	3	Cap Screw	28	SM-10-FG	61040000	1	Screw S/S
2	SM-10FB	63780000	3	Cap Screw	29	SM-10-FG	33781001	1	Pistol Grip - Elk-O-Lite (STD)*
3	SM-10F	57618001	1	Retaining Ring	30A1	SM-10F	11606001	1	Adapter - Base (1.5" NHT Swivel)
3	SM-10FG	57618001	1	Retaining Ring	30A1	SM-10FG	11606001	1	Adapter - Base (1.5" NHT Swivel)
3	SM-10FB	57627001	1	Retaining Ring	30A1	SM-10FB	10004001	1	Adapter - Base (1.5" NHT Swivel) Brass
4A	ALL	58870000	1	Spinning Teeth	30A2	SM-10F	15018000	32	.187 Ball S/S (1.5" NHT Swivel)
4B	ALL	58976000	1	Teeth Ring Molded	30A2	SM-10FG	15018000	32	.187 Ball S/S (1.5" NHT Swivel)
5	SM-10F	66366001	1	Nozzle Tip	30A2	SM-10FB	15016000	32	.187 Ball (1.5" NHT Swivel) Brass
5	SM-10FG	66366001	1	Nozzle Tip	30A3	SM-10F	63068001	1	Swivel (1.5" NHT Swivel)
5	SM-10FB	66328009	1	Nozzle Tip	30A3	SM-10FG	63068001	1	Swivel (1.5" NHT Swivel)
6	ALL	57661000	1	Ring - Split	30A3	SM-10FB	62960001	1	Swivel (1.5" NHT Swivel) Brass
7	SM-10F	57310000	1	O-Ring	30A4	SM-10F	63674000	1	Set Screw (1.5" NHT Swivel)
7	SM-10FG	57310000	1	O-Ring	30A4	SM-10FG	63674000	1	Set Screw (1.5" NHT Swivel)
7	SM-10FB	57381000	1	O-Ring	30A4	SM-10FB	61222000	1	Set Screw (1.5" NHT Swivel) Brass
8	ALL	71114001	1	Washer	30A5	ALL	33074000	1	Gasket - Rubber (1.5" NHT Swivel)
9	SM-10F	65129000	2	Torx Screw	30B1	SM-10F	15428001	1	Base (1.5" NHT Rigid)
9	SM-10FG	65129000	2	Torx Screw	30B1	SM-10FG	15428001	1	Base (1.5" NHT Rigid)
9	SM-10FB	61145000	2	Screw Mach	30B1	SM-10FB	15378001	1	Base (1.5" NHT Rigid) Brass
10	ALL	SPECIFY	1	Label - Stream Pattern	30B2	ALL	33074000	1	Gasket - Rubber (1.5" NHT Rigid)
11	ALL	61670001	1	Sleeve - Tip	30C1	SM-10F	11607001	1	Adapter - Base (1.5" NHT Free Swivel)
12	SM-10F	80488101	1	Power Cell Quad	30C1	SM-10FG	11607001	1	Adapter - Base (1.5" NHT Free Swivel)
12	SM-10FG	80488101	1	Power Cell Quad	30C1	SM-10FB	10023001	1	Adapter - Base (1.5" NHT Free Swivel) Brass
12	SM-10FB	80464109	1	Power Cell Quad	30C2	SM-10F	63688000	1	Set Screw (1.5" NHT Free Swivel)
13	ALL	44288000	1	Label - Identification	30C2	SM-10FG	63688000	1	Set Screw (1.5" NHT Free Swivel)
14	ALL	57334000	1	O-Ring	30C2	SM-10FB	61221000	1	Set Screw (1.5" NHT Free Swivel) Brass
15	ALL	57327000	1	O-Ring	30C3	ALL	57336000	1	O-Ring (1.5" NHT Free Swivel)
16	ALL	61357000	1	Seal Adjustable	30C4	SM-10F	15018000	23	.187 Ball S/S (1.5" NHT Free Swivel)
17	ALL	SPECIFY	1	Label - Open & Close	30C4	SM-10FG	15018000	23	.187 Ball S/S (1.5" NHT Free Swivel)
18	SM-10F	16965001	1	Body Shut Off	30C4	SM-10FB	15016000	23	.187 Ball (1.5" NHT Free Swivel) Brass
18	SM-10FG	16965001	1	Body Shut Off	30C5A	SM-10F	16762001	1	Base (1.5" NHT Free Swivel)
18	SM-10FB	16799002	1	Body Shut Off (Brass)	30C5A	SM-10FG	16762001	1	Base (1.5" NHT Free Swivel)
19	ALL	61269000	1	Socket Set Screw S/S	30C5A	SM-10FB	16750001	1	Base (1.5" NHT Free Swivel) Brass
20	ALL	15076000	1	Ball - 1.0 (Acetal)	30C5B	SM-10-FG	15630001	1	Base (1.5" NHT Free Swivel BSPP)
21	ALL	63755000	1	Shaft - Actuator (Square)	30C5B	SM-10-F	15630001	1	Base (1.5" NHT Free Swivel BSPP)
22	ALL	57298000	1	O-Ring	30C5C	SM-10-FG	16775001	1	Base (1.5" NHT Free Swivel B.I.)
23	ALL	63708000	1	Screw - Pivot S/S	30C5C	SM-10-F	16775001	1	Base (1.5" NHT Free Swivel B.I.)
24	ALL	57348000	1	O-Ring	30C6	ALL	33074000	1	Gasket - Rubber (1.5" NHT Free Swivel)
25A	ALL	36085004	1	Horseshoe Handle - Chrome (STD)					
25B	ALL	36276004	1	Tab Handle - Chrome					



ELKHART BRASS MFG. CO., INC.  
ELKHART, INDIANA

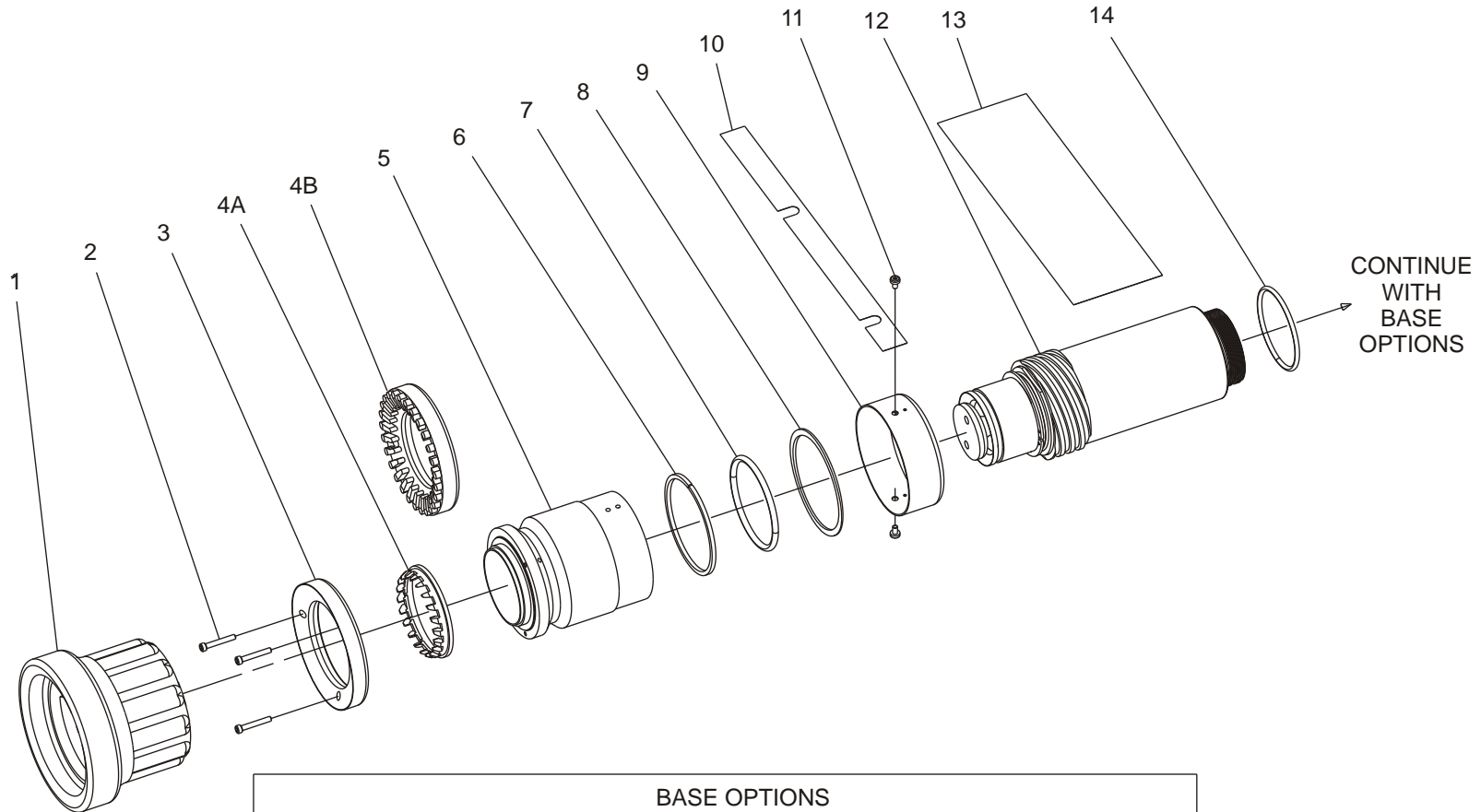
THIS DRAWING CONTAINS INFORMATION THAT IS PROPRIETARY TO ELKHART BRASS MFG. CO., INC. AND MAY NOT BE USED TO PRODUCE ANY PARTS, ASSEMBLIES OR PRODUCTS DESCRIBED HEREIN WITHOUT EXPRESS WRITTEN PERMISSION.

SELECT-O-MATIC NOZZLES PAGE 8 OF 17 03/2008	PART LIST
---	--------------

\* RECOMMENDED WITH FREE SWIVEL BASE ONLY



# SELECT-O-MATIC TIPS (TSM-20F, TSM-20FLP)



BASE OPTIONS	
*1.5" SWIVEL (STD)	*1.5" RIGID (OPT)

ELKHART BRASS MFG. CO., INC. ELKHART, INDIANA	
<small>THIS DRAWING CONTAINS INFORMATION THAT IS PROPRIETARY TO ELKHART BRASS MFG. CO., INC. AND MAY NOT BE USED TO PRODUCE ANY PARTS, ASSEMBLIES OR PRODUCTS DESCRIBED HEREIN WITHOUT EXPRESS WRITTEN PERMISSION.</small>	
SELECT-O-MATIC TIPS PAGE 9 OF 17 03/2008	PART DRAWING

\*NOT RECOMMENDED FOR PISTOL GRIP

**SELECT-O-MATIC TIPS  
(TSM-20F, TSM-20FLP)**

<b>INDEX #</b>	<b>MODEL</b>	<b>PART #</b>	<b>QTY</b>	<b>DESCRIPTION</b>
1	TSM-20F	33654000	1	Bumper - Yellow (STD)
1	TSM-20FLP	33664000	1	Bumper - Yellow (STD)
2	ALL	64069000	3	Cap Screw
3	TSM-20F	57618001	1	Retaining Ring
3	TSM-20FLP	57638001	1	Retaining Ring
4A	TSM-20F	58870000	1	Spinning Teeth
4A	TSM-20FLP	58977000	1	Spinning Teeth
4B	TSM-20F	58976000	1	Teeth Ring Molded
5	TSM-20F	66366001	1	Nozzle Tip
5	TSM-20FLP	66391001	1	Nozzle Tip
6	ALL	57661000	1	Ring - Split
7	ALL	57310000	1	O-Ring
8	ALL	71114001	1	Washer
9	ALL	61670001	1	Sleeve - Tip
10	ALL	SPECIFY	1	Label - Stream Pattern
11	ALL	65129000	2	Torx Screw
12	TSM-20F	80657004	1	Power Cell Quad
12	TSM-20FLP	80526104	1	Power Cell Quad
13	ALL	SPECIFY	1	Label - Identification
14	ALL	57334000	1	O-Ring
15A1	ALL	10337001	1	Adapter (1.5" NHT Swivel)
15A2	ALL	15018000	32	.187 Ball S/S (1.5" NHT Swivel)
15A3	ALL	63068001	1	1.5 Swivel (1.5" NHT Swivel)
15A4	ALL	63674000	1	Set Screw (1.5" Swivel)
15A5	ALL	33074000	1	Gasket - Rubber (1.5" NHT Swivel)
15B1	ALL	15443001	1	Base (1.5" NHT Rigid)
15B2	ALL	33074000	1	Gasket - Rubber (1.5" NHT Rigid)



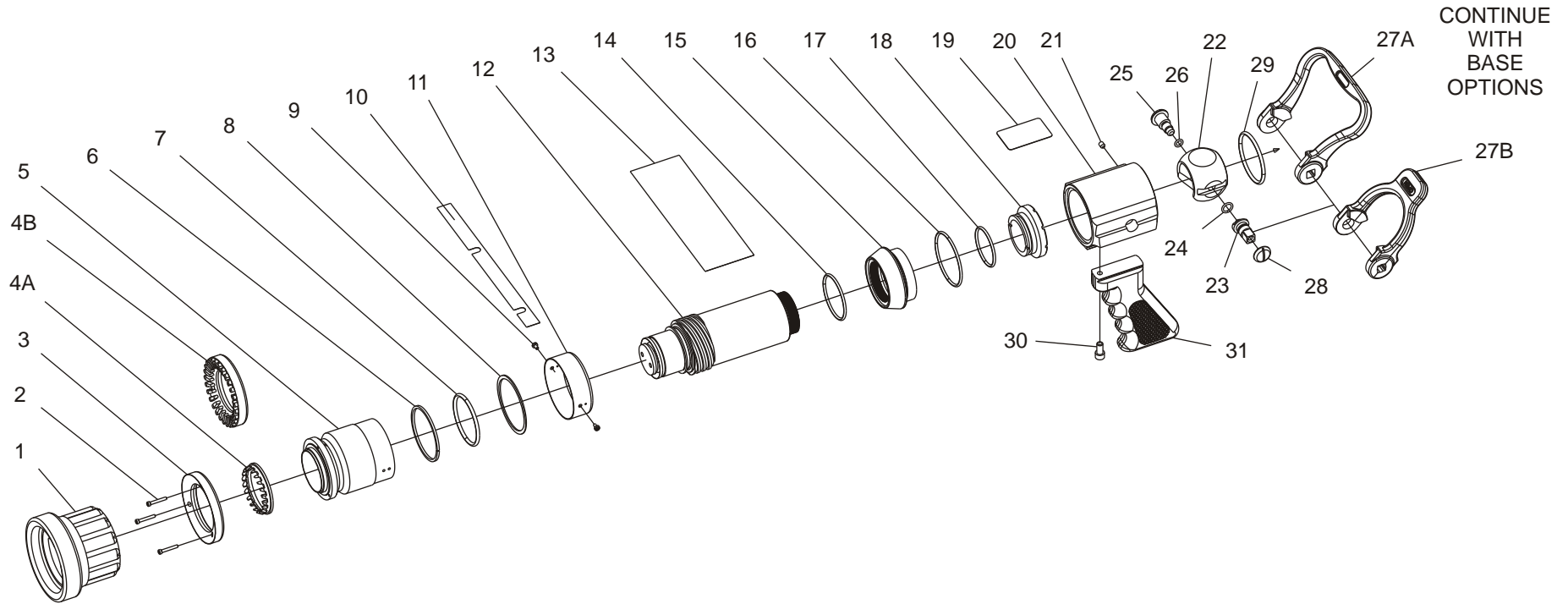
ELKHART BRASS MFG. CO., INC.  
ELKHART, INDIANA

THIS DRAWING CONTAINS INFORMATION THAT IS  
PROPRIETARY TO ELKHART BRASS MFG. CO., INC.  
AND MAY NOT BE USED TO PRODUCE ANY PARTS,  
ASSEMBLIES OR PRODUCTS DESCRIBED HEREIN  
WITHOUT EXPRESS WRITTEN PERMISSION.

SELECT-O-MATIC TIPS  
PAGE 10 OF 17  
03/2008

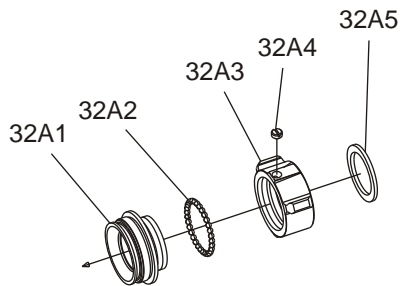
PART  
LIST

## SELECT-O-MATIC NOZZLES (SM-20F, SM-20FG, SM-20FLP, SM-20FGLP)

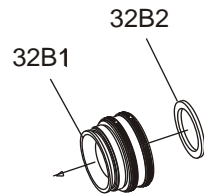


CONTINUE  
WITH  
BASE  
OPTIONS

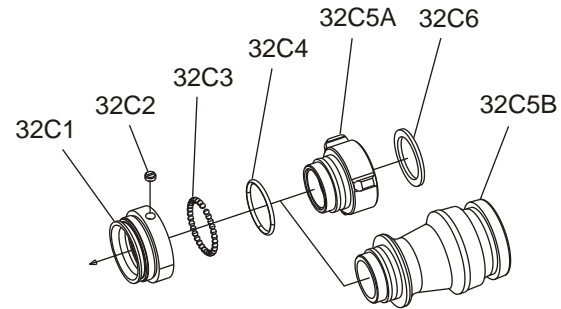
### BASE OPTIONS



\*1.5" SWIVEL (STD)



\*1.5" RIGID (OPT)



1.5" FREE SWIVEL  
STD FOR PISTOL GRIP

 ELKHART BRASS MFG. CO., INC.  
ELKHART, INDIANA

THIS DRAWING CONTAINS INFORMATION THAT IS  
PROPRIETARY TO ELKHART BRASS MFG. CO., INC.  
AND MAY NOT BE USED TO PRODUCE ANY PARTS,  
ASSEMBLIES OR PRODUCTS DESCRIBED HEREIN  
WITHOUT EXPRESS WRITTEN PERMISSION.


SELECT-O-MATIC NOZZLES  
PAGE 11 OF 17  
01/2008

PART  
DRAWING

\*NOT RECOMMENDED FOR PISTOL GRIP

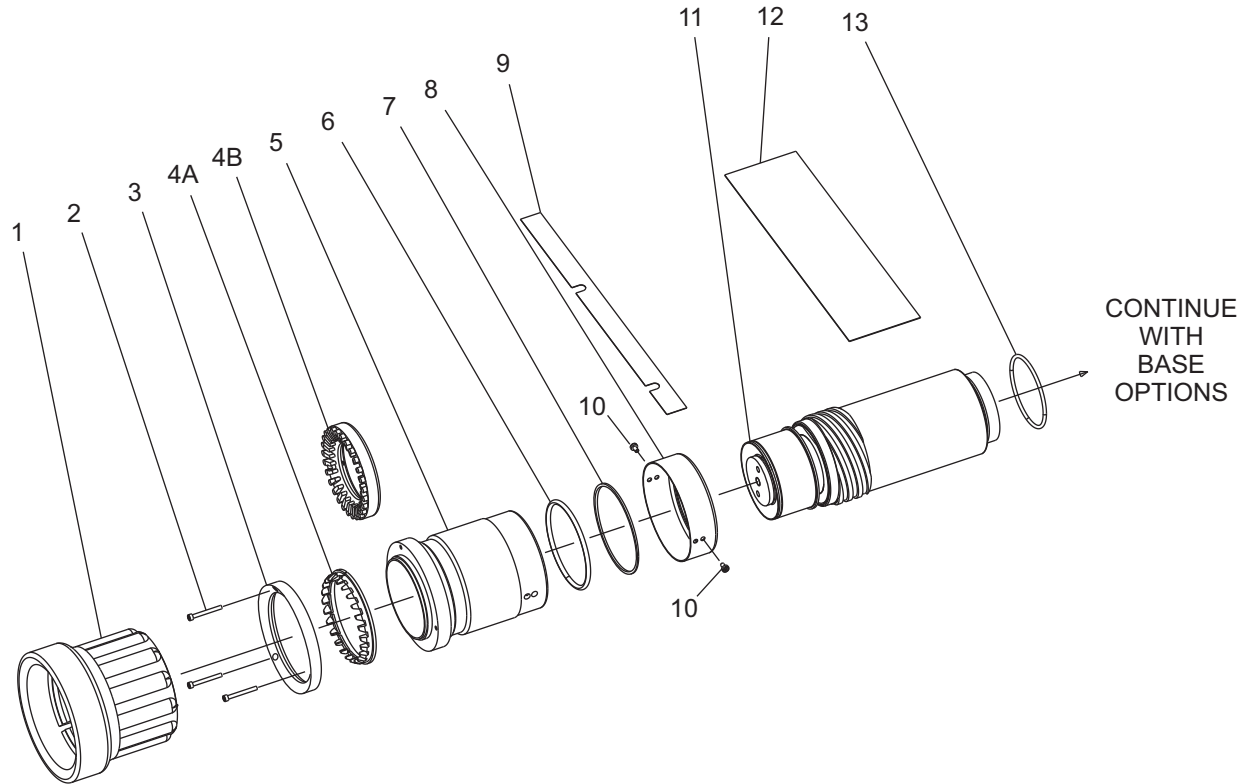
**SELECT-O-MATIC NOZZLES**  
**(SM-20F, SM-20FG, SM-20FLP, SM-20FGLP)**

INDEX #	MODEL	PART #	QTY	DESCRIPTION	INDEX #	MODEL	PART #	QTY	DESCRIPTION
1	SM-20F	33654000	1	Bumper - Yellow (STD)	17	ALL	57330000	1	O-Ring
1	SM-20FG	33654000	1	Bumper - Yellow (STD)	18	ALL	61358000	1	Seat & Retainer
1	SM-20FLP	33664000	1	Bumper - Yellow (STD)	19	ALL	SPECIFY	1	Label - Open & Close
1	SM-20FGLP	33664000	1	Bumper - Yellow (STD)	20	ALL	16966001	1	Body - Valve
2	ALL	64069000	3	Cap Screw	21	ALL	61269000	1	Socket Set Screw S/S
3	SM-20F	57618001	1	Retaining Ring	22	ALL	17304000	1	1.375 Valve Ball
3	SM-20FG	57618001	1	Retaining Ring	23	ALL	63755000	1	Shaft - Actuator (Square)
3	SM-20FLP	57638001	1	Retaining Ring	24	ALL	57298000	1	O-Ring
3	SM-20FGLP	57638001	1	Retaining Ring	25	ALL	63708000	1	Screw - Pivot (S/S)
4A	SM-20F	58870000	1	Spinning Teeth	26	ALL	57348000	1	O-Ring
4A	SM-20FG	58870000	1	Spinning Teeth	27A	ALL	36086004	1	Horseshoe Handle - Chrome (STD)
4A	SM-20FLP	58977000	1	Spinning Teeth	27B	ALL	36277004	1	Tab Handle - Chrome
4A	SM-20FGLP	58977000	1	Spinning Teeth	28	ALL	61286000	1	Screw - Actuator Shaft (S/S)
4B	SM-20F	58976000	1	Teeth Ring Molded	29	ALL	57310000	1	O-Ring
4B	SM-20FG	58976000	1	Teeth Ring Molded	30	SM-20FG	61040000	1	Screw S/S
5	SM-20F	66366001	1	Nozzle Tip	30	SM-20FGLP	61040000	1	Screw S/S
5	SM-20FG	66366001	1	Nozzle Tip	31	SM-20FG	33781001	1	Pistol Grip - Elk-O-Lite (STD)*
5	SM-20FLP	66391001	1	Nozzle Tip	31	SM-20FGLP	33781001	1	Pistol Grip - Elk-O-Lite (STD)*
5	SM-20FGLP	66391001	1	Nozzle Tip	32A1	ALL	10022001	1	Adapter - Base (1.5" NHT Swivel)
6	ALL	57661000	1	Ring - Split	32A2	ALL	15018000	32	.187 Ball S/S (1.5" NHT Swivel)
7	ALL	57310000	1	O-Ring	32A3	ALL	63068001	1	1.5 Swivel (1.5" NHT Swivel)
8	ALL	71114001	1	Washer	32A4	ALL	63674000	1	Set Screw (1.5" NHT Swivel)
9	ALL	65129000	2	Torx Screw	32A5	ALL	33074000	1	Gasket - Rubber (1.5" NHT Swivel)
10	ALL	SPECIFY	1	Label - Stream Pattern	32B1	ALL	15432001	1	Base (1.5" NHT Rigid)
11	ALL	61670001	1	Sleeve - Tip	32B2	ALL	33074000	1	Gasket - Rubber (1.5" NHT Rigid)
12	SM-20F	80526101	1	Power Cell Quad	32C1	ALL	11611001	1	Adapter Base (1.5" NHT Free Swivel)
12	SM-20FG	80526101	1	Power Cell Quad	32C2	ALL	63674000	1	Set Screw (1.5" NHT Free Swivel)
12	SM-20FLP	80526401	1	Power Cell Quad	32C3	ALL	15018000	32	.187 Ball S/S (1.5" NHT Free Swivel)
12	SM-20FGLP	80526401	1	Power Cell Quad	32C4	ALL	57309000	1	O-Ring (1.5" NHT Free Swivel)
13	ALL	SPECIFY	1	Label Identification	32C5A	ALL	16765001	1	Base (1.5" NHT Free Swivel)
14	ALL	57334000	1	O-Ring	32C5B	ALL	15626001	1	Base (1.5" NHT Free Swivel B.I.)
15	ALL	11543001	1	Adapter Body	32C6	ALL	33074000	1	Gasket - Rubber (1.5" NHT Free Swivel)
16	ALL	57387000	1	O-Ring					

	ELKHART BRASS MFG. CO., INC. ELKHART, INDIANA
<small>THIS DRAWING CONTAINS INFORMATION THAT IS PROPRIETARY TO ELKHART BRASS MFG. CO., INC. AND MAY NOT BE USED TO PRODUCE ANY PARTS, ASSEMBLIES OR PRODUCTS DESCRIBED HEREIN WITHOUT EXPRESS WRITTEN PERMISSION.</small>	
<small>SELECT-O-MATIC NOZZLES PAGE 12 OF 17 03/2008</small>	<small>PART LIST</small>

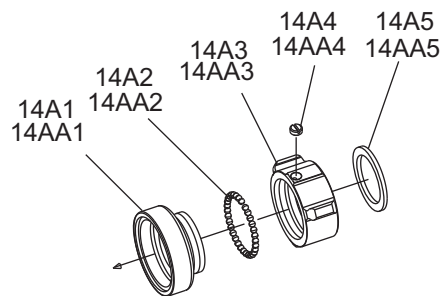
\*RECOMMENDED WITH FREE SWIVEL BASE ONLY

## SELECT-O-MATIC TIPS (TSM-30F, TSM-30FLP, DTSM-30F)

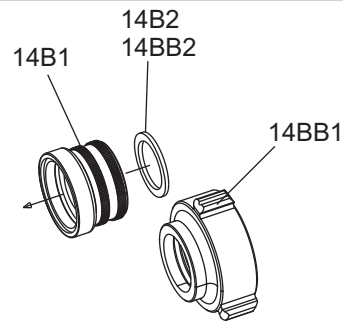


CONTINUE  
WITH  
BASE  
OPTIONS

### BASE OPTIONS



1.5" OR 2.5" SWIVEL (STD)



\*1.5" RIGID (OPT)



ELKHART BRASS MFG. CO., INC.  
ELKHART, INDIANA

THIS DRAWING CONTAINS INFORMATION THAT IS  
PROPRIETARY TO ELKHART BRASS MFG. CO., INC.  
AND MAY NOT BE USED TO PRODUCE ANY PARTS,  
ASSEMBLIES OR PRODUCTS DESCRIBED HEREIN  
WITHOUT EXPRESS WRITTEN PERMISSION.


SELECT-O-MATIC TIPS  
PAGE 13 OF 17  
03/2013

PART  
DRAWING

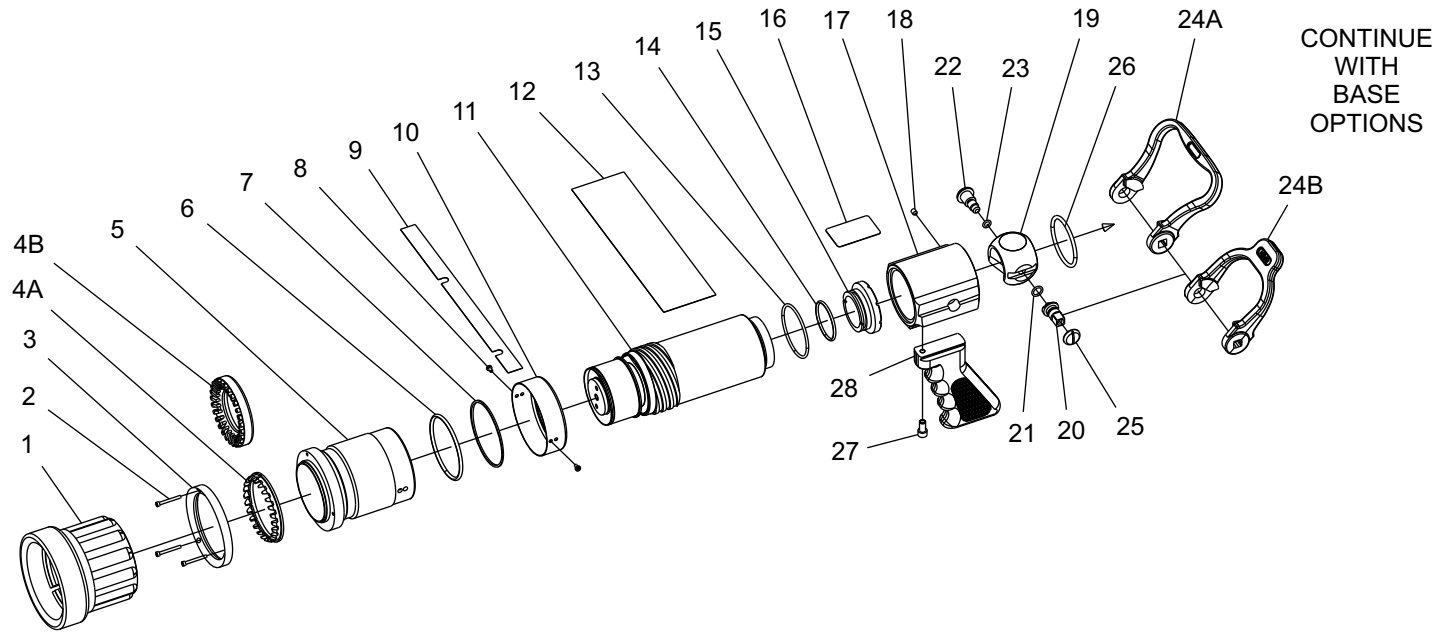
\*NOT RECOMMENDED FOR PISTOL GRIP

**SELECT-O-MATIC TIPS  
(TSM-30F, TSM-30FLP, DTSM-30F)**

INDEX #	MODEL	PART #	QTY	DESCRIPTION
1	ALL	33655000	1	Bumper - Yellow (STD)
2	ALL	64070000	3	Cap Screw
3	ALL	57631001	1	Retaining Ring
4A	ALL	58875000	1	Spinning Teeth
4B	ALL	58976000	1	Teeth Ring Molded
5	ALL	66361001	1	Nozzle Tip
6	ALL	57375000	1	O-Ring
7	ALL	71117000	1	Washer
8	ALL	65129000	2	Torx Screw
9	ALL	61672001	1	Sleeve - Tip
10	ALL	44285000	1	Label - Stream Pattern
11	TSM-30F	80495101	1	Power Cell Quad
11	TSM-30FLP	80495301	1	Power Cell Quad
11	DTSM-30F	80495101	1	Power Cell Quad
12	ALL	SPECIFY	1	Label - Identification
13	ALL	57387000	1	O-Ring
14A1	TSM-30F	10332001	1	Adapter (1.5" NHT Swivel)
14A1	TSM-30FLP	10332001	1	Adapter (1.5" NHT Swivel)
14A2	TSM-30F	15018000	32	.187 Ball S/S (1.5" NHT Swivel)
14A2	TSM-30FLP	15018000	32	.187 Ball S/S (1.5" NHT Swivel)
14A3	TSM-30F	63068001	1	Swivel (1.5" NHT Swivel)
14A3	TSM-30FLP	63068001	1	Swivel (1.5" NHT Swivel)
14A4	TSM-30F	63674000	1	Set Screw (1.5" NHT Swivel)
14A4	TSM-30FLP	63674000	1	Set Screw (1.5" NHT Swivel)
14A5	TSM-30F	33074000	1	Gasket - Rubber (1.5" NHT Swivel)
14A5	TSM-30FLP	33074000	1	Gasket - Rubber (1.5" NHT Swivel)
14AA1	DTSM-30F	10339001	1	Adapter (2.5" NHT Swivel)
14AA2	DTSM-30F	15018000	52	.187 Ball S/S (2.5" NHT Swivel)
14AA3	DTSM-30F	63069001	1	Swivel (2.5" NHT Swivel)
14AA4	DTSM-30F	63674000	1	Set Screw (2.5" NHT Swivel)
14AA5	DTSM-30F	33083000	1	Gasket - Rubber (2.5" NHT Swivel)
14B1	TSM-30FLP	15445001	1	Base (1.5" NHT Rigid)
14B1	TSM-30-F	15445001	1	Base (1.5" NHT Rigid)
14B2	TSM-30FLP	33074000	1	Gasket - Rubber (1.5" NHT Rigid)
14B2	TSM-30-F	33074000	1	Gasket - Rubber (1.5" NHT Rigid)
14BB1	TSM-30FLP	12101001	1	Base (2.5" NHT Rigid)
14BB1	TSM-30-F	12101001	1	Base (2.5" NHT Rigid)
14BB2	TSM-30FLP	33083000	1	Gasket - Rubber (2.5" NHT Rigid)
14BB2	TSM-30-F	33083000	1	Gasket - Rubber (2.5" NHT Rigid)

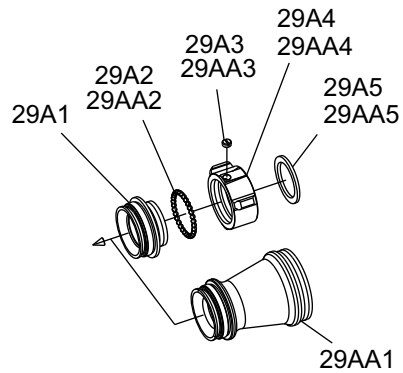
	ELKHART BRASS MFG. CO., INC. ELKHART, INDIANA
THIS DRAWING CONTAINS INFORMATION THAT IS PROPRIETARY TO ELKHART BRASS MFG. CO., INC. AND MAY NOT BE USED TO PRODUCE ANY PARTS, ASSEMBLIES OR PRODUCTS DESCRIBED HEREIN WITHOUT EXPRESS WRITTEN PERMISSION.	
SELECT-O-MATIC TIPS PAGE 14 OF 17 03/2013	PART DRAWING

**SELECT-O-MATIC NOZZLES**  
**(SM-30F, SM-30FG, SM-30FLP, SM-30GLP, DSM-30F, DSM-30FG, DSM-30FLP, DSM-30GLP)**

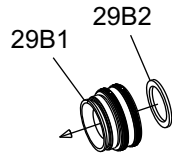


CONTINUE  
WITH  
BASE  
OPTIONS

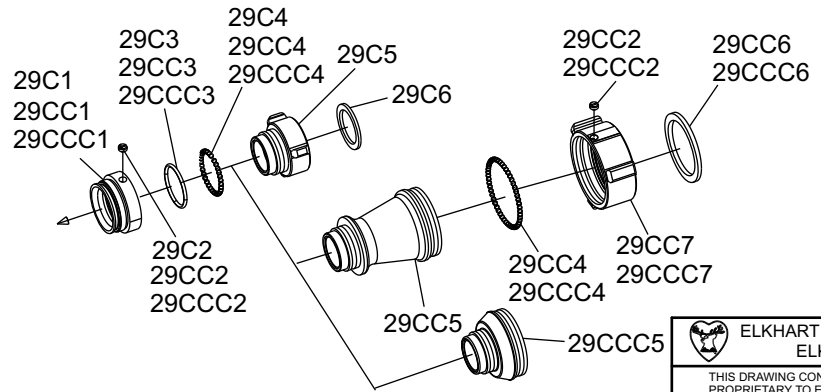
**BASE OPTIONS**



\*1.5" OR 2.5" SWIVEL (STD)



\*1.5" RIGID (OPT)



1.5" OR 2.5" FREE SWIVEL  
STD FOR PISTOL GRIP

 ELKHART BRASS MFG. CO., INC.  
ELKHART, INDIANA

THIS DRAWING CONTAINS INFORMATION THAT IS PROPRIETARY TO ELKHART BRASS MFG. CO., INC. AND MAY NOT BE USED TO PRODUCE ANY PARTS, ASSEMBLIES OR PRODUCTS DESCRIBED HEREIN WITHOUT EXPRESS WRITTEN PERMISSION.

SELECT-O-MATIC NOZZLES  
PAGE 15 OF 17  
03/2008

PART  
DRAWING

\*NOT RECOMMENDED FOR PISTOL GRIP

**SELECT-O-MATIC NOZZLES**

**(SM-30F, SM-30FG, SM-30FLP, SM-30FGLP, DSM-30F, DSM-30FG, DSM-30FLP, DSM-30FGLP)**

INDEX #	MODEL	PART #	QTY	DESCRIPTION	INDEX #	MODEL	PART #	QTY	DESCRIPTION
1	ALL	33655000	1	Grip-Bumper (Yellow)	29A1	SM-30FLP	10022001	1	Adapter - Base (1.5" NHT Swivel)
2	ALL	64070000	3	Cap Screw	29A1	SM-30FGLP	10022001	1	Adapter - Base (1.5" NHT Swivel)
3	ALL	57631001	1	Retaining Ring	29A1	SM-30F	10022001	1	Adapter - Base (1.5" NHT Swivel)
4A	ALL	58875000	1	Spinning Teeth	29A1	SM-30FG	10022001	1	Adapter - Base (1.5" NHT Swivel)
4B	ALL	58979000	1	Teeth Ring Molded	29A2	SM-30FLP	15018000	32	.187 Ball S/S (1.5" NHT Swivel)
5	ALL	66361001	1	Nozzle Tip	29A2	SM-30FGLP	15018000	32	.187 Ball S/S (1.5" NHT Swivel)
6	ALL	57375000	1	O-Ring	29A2	SM-30F	15018000	32	.187 Ball S/S (1.5" NHT Swivel)
7	ALL	71117000	1	Washer	29A2	SM-30FG	15018000	32	.187 Ball S/S (1.5" NHT Swivel)
8	ALL	65129000	2	Torx Screw	29A3	SM-30FLP	33074000	1	Gasket - Rubber (1.5" NHT Swivel)
9	ALL	SPECIFY	1	Label - Stream Pattern	29A3	SM-30FGLP	33074000	1	Gasket - Rubber (1.5" NHT Swivel)
10	ALL	61672001	1	Sleeve - Tip	29A3	SM-30F	33074000	1	Gasket - Rubber (1.5" NHT Swivel)
11	SM-30F	80495101	1	Power Cell Quad	29A3	SM-30FG	33074000	1	Gasket - Rubber (1.5" NHT Swivel)
11	SM-30FG	80495101	1	Power Cell Quad	29A4	SM-30FLP	63068001	1	Swivel (1.5" NHT Swivel)
11	DSM-30F	80495101	1	Power Cell Quad	29A4	SM-30FGLP	63068001	1	Swivel (1.5" NHT Swivel)
11	DSM-30FG	80495101	1	Power Cell Quad	29A4	SM-30F	63068001	1	Swivel (1.5" NHT Swivel)
11	SM-30FLP	80495301	1	Power Cell Quad	29A4	SM-30FG	63068001	1	Swivel (1.5" NHT Swivel)
11	SM-30FGLP	80495301	1	Power Cell Quad	29A5	SM-30FLP	63674000	1	Set Screw (1.5" NHT Swivel)
11	DSM-30FLP	80495301	1	Power Cell Quad	29A5	SM-30FGLP	63674000	1	Set Screw (1.5" NHT Swivel)
11	DSM-30FGLP	80495301	1	Power Cell Quad	29A5	SM-30F	63674000	1	Set Screw (1.5" NHT Swivel)
12	ALL	SPECIFY	1	Label - Identification	29A5	SM-30FG	63674000	1	Set Screw (1.5" NHT Swivel)
13	ALL	57387000	1	O-Ring	29AA1	DSM-30FLP	15623001	1	Adapter - Base (2.5" NHT Swivel)
14	ALL	57330000	1	O-Ring	29AA1	DSM-30FGLP	15623001	1	Adapter - Base (2.5" NHT Swivel)
15	ALL	61358000	1	Seat & Retainer Assy	29AA1	DSM-30FG	15623001	1	Adapter - Base (2.5" NHT Swivel)
16	ALL	44283000	1	Label - Open & Close	29AA1	DSM-30F	15623001	1	Adapter - Base (2.5" NHT Swivel)
17	ALL	16966001	1	Body - Valve	29AA2	DSM-30FLP	15018000	52	.187 Ball S/S (2.5" NHT Swivel)
18	ALL	61269000	1	Socket Set Screw S/S	29AA2	DSM-30FGLP	15018000	52	.187 Ball S/S (2.5" NHT Swivel)
19	ALL	17304000	1	1.375 Valve Ball	29AA2	DSM-30FG	15018000	52	.187 Ball S/S (2.5" NHT Swivel)
20	ALL	63755000	1	Shaft - Actuator (Square)	29AA2	DSM-30F	15018000	52	.187 Ball S/S (2.5" NHT Swivel)
21	ALL	57298000	1	O-Ring	29AA3	DSM-30FLP	33083000	1	Gasket - Rubber (2.5" NHT Swivel)
22	ALL	63708000	1	Screw - Pivot (S/S)	29AA3	DSM-30FGLP	33083000	1	Gasket - Rubber (2.5" NHT Swivel)
23	ALL	57348000	1	O-Ring	29AA3	DSM-30FG	33083000	1	Gasket - Rubber (2.5" NHT Swivel)
24A	ALL	36086004	1	Horseshoe Handle - Chrome (STD)	29AA3	DSM-30F	33083000	1	Gasket - Rubber (2.5" NHT Swivel)
24B	ALL	36277004	1	Tab Handle - Chrome	29AA4	DSM-30FLP	63069001	1	Swivel (2.5" NHT Swivel)
25	ALL	61286000	1	Screw - Actuator Shaft (S/S)	29AA4	DSM-30FGLP	63069001	1	Swivel (2.5" NHT Swivel)
26	ALL	57310000	1	O-Ring	29AA4	DSM-30FG	63069001	1	Swivel (2.5" NHT Swivel)
27	SM-30FGLP	61040000	1	Screw S/S	29AA4	DSM-30F	63069001	1	Swivel (2.5" NHT Swivel)
27	SM-30FG	61040000	1	Screw S/S	29AA5	DSM-30FLP	63674000	1	Set Screw (2.5" NHT Swivel)
27	DSM-30FGLP	61040000	1	Screw S/S	29AA5	DSM-30FGLP	63674000	1	Set Screw (2.5" NHT Swivel)
27	DSM-30FG	61040000	1	Screw S/S	29AA5	DSM-30FG	63674000	1	Set Screw (2.5" NHT Swivel)
28	SM-30FGLP	33781001	1	Pistol Grip - Elk-O-Lite (STD)*	29AA5	DSM-30F	63674000	1	Set Screw (2.5" NHT Swivel)
28	SM-30FG	33781001	1	Pistol Grip - Elk-O-Lite (STD)*					
28	DSM-30FGLP	33781001	1	Pistol Grip - Elk-O-Lite (STD)*					
28	DSM-30FG	33781001	1	Pistol Grip - Elk-O-Lite (STD)*					


**ELKHART BRASS MFG. CO., INC.**  
 ELKHART, INDIANA

THIS DRAWING CONTAINS INFORMATION THAT IS PROPRIETARY TO ELKHART BRASS MFG. CO., INC. AND MAY NOT BE USED TO PRODUCE ANY PARTS, ASSEMBLIES OR PRODUCTS DESCRIBED HEREIN WITHOUT EXPRESS WRITTEN PERMISSION.

SELECT-O-MATIC NOZZLES PAGE 16 OF 16 08/2014	PART LIST
--	-----------


\*RECOMMENDED WITH FREE SWIVEL BASE ONLY



**SELECT-O-MATIC NOZZLES**

**(SM-30F, SM-30FG, SM-30FLP, SM-30FGLP, DSM-30F, DSM-30FG, DSM-30FLP, DSM-30FGLP)**

INDEX #	MODEL	PART #	QTY	DESCRIPTION	INDEX #	MODEL	PART #	QTY	DESCRIPTION
29B1	SM-30FLP	33074000	1	Gasket - Rubber (1.5" NHT Rigid)	29CC4	DSM-30FLP	15018000	84	.187 Ball S/S (2.5" NHT F/S Long)
29B1	SM-30FGLP	33074000	1	Gasket - Rubber (1.5" NHT Rigid)	29CC4	DSM-30FGLP	15018000	84	.187 Ball S/S (2.5" NHT F/S Long)
29B1	SM-30F	33074000	1	Gasket - Rubber (1.5" NHT Rigid)	29CC4	DSM-30FG	15018000	84	.187 Ball S/S (2.5" NHT F/S Long)
29B1	SM-30FG	33074000	1	Gasket - Rubber (1.5" NHT Rigid)	29CC4	DSM-30F	15018000	84	.187 Ball S/S (2.5" NHT F/S Long)
29B2	SM-30FLP	15432001	1	Base Nozzle (1.5" NHT Rigid)	29CC5	DSM-30FLP	15633001	1	Base (2.5" NHT F/S Long)
29B2	SM-30FGLP	15432001	1	Base Nozzle (1.5" NHT Rigid)	29CC5	DSM-30FGLP	15633001	1	Base (2.5" NHT F/S Long)
29B2	SM-30F	15432001	1	Base Nozzle (1.5" NHT Rigid)	29CC5	DSM-30FG	15633001	1	Base (2.5" NHT F/S Long)
29B2	SM-30FG	15432001	1	Base Nozzle (1.5" NHT Rigid)	29CC5	DSM-30F	15633001	1	Base (2.5" NHT F/S Long)
29C1	SM-30FLP	11611001	1	Adapter (1.5" NHT Free Swivel)	29CC6	DSM-30FLP	33083000	1	Gasket - Rubber (2.5" NHT F/S Long)
29C1	SM-30FGLP	11611001	1	Adapter (1.5" NHT Free Swivel)	29CC6	DSM-30FGLP	33083000	1	Gasket - Rubber (2.5" NHT F/S Long)
29C1	SM-30F	11611001	1	Adapter (1.5" NHT Free Swivel)	29CC6	DSM-30FG	33083000	1	Gasket - Rubber (2.5" NHT F/S Long)
29C1	SM-30FG	11611001	1	Adapter (1.5" NHT Free Swivel)	29CC6	DSM-30F	33083000	1	Gasket - Rubber (2.5" NHT F/S Long)
29C2	SM-30FLP	63674000	1	Set Screw (1.5" NHT Free Swivel)	29CC7	DSM-30FLP	63069001	1	Swivel (2.5" NHT F/S Long)
29C2	SM-30FGLP	63674000	1	Set Screw (1.5" NHT Free Swivel)	29CC7	DSM-30FGLP	63069001	1	Swivel (2.5" NHT F/S Long)
29C2	SM-30F	63674000	1	Set Screw (1.5" NHT Free Swivel)	29CC7	DSM-30FG	63069001	1	Swivel (2.5" NHT F/S Long)
29C2	SM-30FG	63674000	1	Set Screw (1.5" NHT Free Swivel)	29CC7	DSM-30F	63069001	1	Swivel (2.5" NHT F/S Long)
29C3	SM-30FLP	57309000	1	O-Ring (1.5" NHT Free Swivel)	29CCC1	DSM-30FLP	11611001	1	Adapter (2.5" NHT F/S Long)
29C3	SM-30FGLP	57309000	1	O-Ring (1.5" NHT Free Swivel)	29CCC1	DSM-30FGLP	11611001	1	Adapter (2.5" NHT F/S Long)
29C3	SM-30F	57309000	1	O-Ring (1.5" NHT Free Swivel)	29CCC1	DSM-30FG	11611001	1	Adapter (2.5" NHT F/S Long)
29C3	SM-30FG	57309000	1	O-Ring (1.5" NHT Free Swivel)	29CCC1	DSM-30F	11611001	1	Adapter (2.5" NHT F/S Long)
29C4	SM-30FLP	15018000	32	.187 Ball S/S (1.5" NHT Free Swivel)	29CCC2	DSM-30FLP	63674000	2	Set Screw (2.5" NHT F/S Long)
29C4	SM-30FGLP	15018000	32	.187 Ball S/S (1.5" NHT Free Swivel)	29CCC2	DSM-30FGLP	63674000	2	Set Screw (2.5" NHT F/S Long)
29C4	SM-30F	15018000	32	.187 Ball S/S (1.5" NHT Free Swivel)	29CCC2	DSM-30FG	63674000	2	Set Screw (2.5" NHT F/S Long)
29C4	SM-30FG	15018000	32	.187 Ball S/S (1.5" NHT Free Swivel)	29CCC2	DSM-30F	63674000	2	Set Screw (2.5" NHT F/S Long)
29C5	SM-30FLP	16765001	1	Swivel (1.5" NHT Free Swivel)	29CCC3	DSM-30FLP	57309000	1	O-Ring (2.5" NHT F/S Long)
29C5	SM-30FGLP	16765001	1	Swivel (1.5" NHT Free Swivel)	29CCC3	DSM-30FGLP	57309000	1	O-Ring (2.5" NHT F/S Long)
29C5	SM-30F	16765001	1	Swivel (1.5" NHT Free Swivel)	29CCC3	DSM-30FG	57309000	1	O-Ring (2.5" NHT F/S Long)
29C5	SM-30FG	16765001	1	Swivel (1.5" NHT Free Swivel)	29CCC3	DSM-30F	57309000	1	O-Ring (2.5" NHT F/S Long)
29C6	SM-30FLP	33074000	1	Gasket - Rubber (1.5" NHT Free Swivel)	29CCC4	DSM-30FLP	15018000	84	.187 Ball S/S (2.5" NHT F/S Long)
29C6	SM-30FGLP	33074000	1	Gasket - Rubber (1.5" NHT Free Swivel)	29CCC4	DSM-30FGLP	15018000	84	.187 Ball S/S (2.5" NHT F/S Long)
29C6	SM-30F	33074000	1	Gasket - Rubber (1.5" NHT Free Swivel)	29CCC4	DSM-30FG	15018000	84	.187 Ball S/S (2.5" NHT F/S Long)
29C6	SM-30FG	33074000	1	Gasket - Rubber (1.5" NHT Free Swivel)	29CCC4	DSM-30F	15018000	84	.187 Ball S/S (2.5" NHT F/S Long)
29CC1	DSM-30FLP	11611001	1	Adapter (2.5" NHT F/S Long)	29CCC5	DSM-30FLP	15634001	1	Base (2.5" NHT F/S Short)
29CC1	DSM-30FGLP	11611001	1	Adapter (2.5" NHT F/S Long)	29CCC5	DSM-30FGLP	15634001	1	Base (2.5" NHT F/S Short)
29CC1	DSM-30FG	11611001	1	Adapter (2.5" NHT F/S Long)	29CCC5	DSM-30FG	15634001	1	Base (2.5" NHT F/S Short)
29CC1	DSM-30F	11611001	1	Adapter (2.5" NHT F/S Long)	29CCC5	DSM-30F	15634001	1	Base (2.5" NHT F/S Short)
29CC2	DSM-30FLP	63674000	2	Set Screw (2.5" NHT F/S Long)	29CCC6	DSM-30FLP	33083000	1	Gasket - Rubber (2.5" NHT F/S Long)
29CC2	DSM-30FGLP	63674000	2	Set Screw (2.5" NHT F/S Long)	29CCC6	DSM-30FGLP	33083000	1	Gasket - Rubber (2.5" NHT F/S Long)
29CC2	DSM-30FG	63674000	2	Set Screw (2.5" NHT F/S Long)	29CCC6	DSM-30FG	33083000	1	Gasket - Rubber (2.5" NHT F/S Long)
29CC2	DSM-30F	63674000	2	Set Screw (2.5" NHT F/S Long)	29CCC6	DSM-30F	33083000	1	Gasket - Rubber (2.5" NHT F/S Long)
29CC3	DSM-30FLP	57309000	1	O-Ring (2.5" NHT F/S Long)	29CCC7	DSM-30FLP	63069001	1	Swivel (2.5" NHT F/S Long)
29CC3	DSM-30FGLP	57309000	1	O-Ring (2.5" NHT F/S Long)	29CCC7	DSM-30FGLP	63069001	1	Swivel (2.5" NHT F/S Long)
29CC3	DSM-30FG	57309000	1	O-Ring (2.5" NHT F/S Long)	29CCC7	DSM-30FG	63069001	1	Swivel (2.5" NHT F/S Long)
29CC3	DSM-30F	57309000	1	O-Ring (2.5" NHT F/S Long)	29CCC7	DSM-30F	63069001	1	Swivel (2.5" NHT F/S Long)

 <b>ELKHART BRASS MFG. CO., INC.</b> ELKHART, INDIANA	
THIS DRAWING CONTAINS INFORMATION THAT IS PROPRIETARY TO ELKHART BRASS MFG. CO., INC. AND MAY NOT BE USED TO PRODUCE ANY PARTS, ASSEMBLIES OR PRODUCTS DESCRIBED HEREIN WITHOUT EXPRESS WRITTEN PERMISSION.	
SELECT-O-MATIC NOZZLES PAGE 17 OF 17 03/2008	PART LIST

## BASE OPTIONS KEY\*

### LETTER

DESIGNATION	BASE DESCRIPTION
A	1.0" or 1.5" Swivel
AA	2.5" Swivel (Long)
B	1.0" or 1.5" Rigid
BB	2.5" Rigid
C	1.0" or 1.5" Free Swivel
CC	2.5" Free Swivel (Long)
CCC	2.5" Free Swivel (Short)

\*Not all base options will be available with every tip and/or nozzle.

All nozzles are NHT unless otherwise specified. Inquire with our sales staff about other thread options.



ELKHART BRASS MFG. CO., INC.  
ELKHART, INDIANA

THIS DRAWING CONTAINS INFORMATION THAT IS  
PROPRIETARY TO ELKHART BRASS MFG. CO., INC.  
AND MAY NOT BE USED TO PRODUCE ANY PARTS,  
ASSEMBLIES OR PRODUCTS DESCRIBED HEREIN  
WITHOUT EXPRESS WRITTEN PERMISSION.

BASE OPTIONS  
KEY  
04/2008