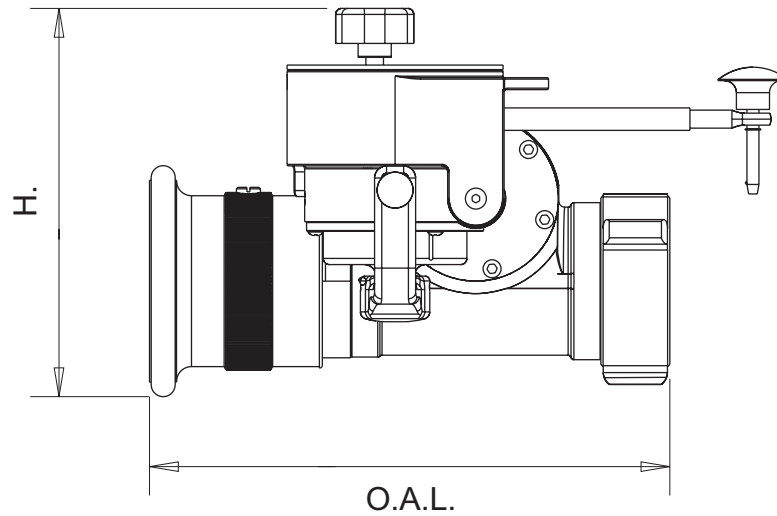
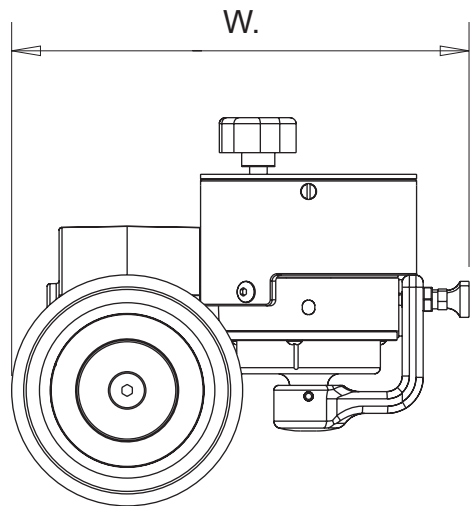


NOZZLE
(3895, 3896)



OSCILLATING
NOZZLE
(3890)


 ELKHART BRASS MFG. CO., INC.
ELKHART, INDIANA

THIS DRAWING CONTAINS INFORMATION THAT IS
PROPRIETARY TO ELKHART BRASS MFG. CO., INC.
AND MAY NOT BE USED TO PRODUCE ANY PARTS,
ASSEMBLIES OR PRODUCTS DESCRIBED HEREIN
WITHOUT EXPRESS WRITTEN PERMISSION.

RAN
PAGE 1 OF 2
05/2008

DIMENSIONAL
DRAWING

R.A.N. DIMENSIONAL TABLE								
(In inches)								
MODEL	BASE SIZE	TYPE	OVERALL LENGTH (O.A.L.)		DIA.	WIDTH (W.)	HEIGHT (H.)	WEIGHT (LBS.)
			MAX (S.S.)	MIN (FOG)				
3896	2.50	FIXED	6.48	5.65	4.81			3.2
3895	2.50	SELECTABLE	8.00	6.92	4.81			3.6
3890	2.50	FIXED	11.66	10.84		9.53	8.09	12.0

	ELKHART BRASS MFG. CO., INC. ELKHART, INDIANA	
	THIS DRAWING CONTAINS INFORMATION THAT IS PROPRIETARY TO ELKHART BRASS MFG. CO., INC. AND MAY NOT BE USED TO PRODUCE ANY PARTS, ASSEMBLIES OR PRODUCTS DESCRIBED HEREIN WITHOUT EXPRESS WRITTEN PERMISSION.	
RAN PAGE 2 OF 2 06/2009	DIMENSIONAL TABLE	