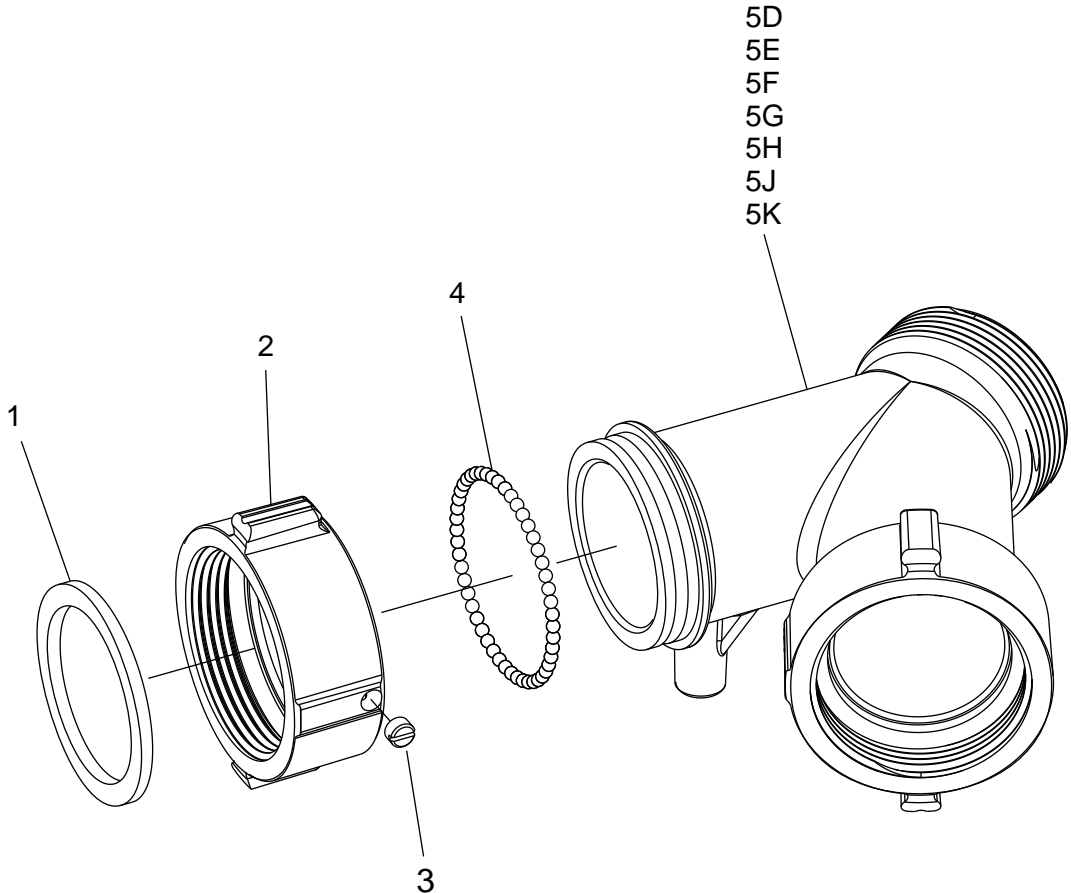




PLAIN & CLAPPERED SIAMESE
(2, 2A - 2.5"Fx2.5"M, 3.0"M,3.5"M, 4.0"M,4.5"M,5.0"M,6.0"M[x2])



	ELKHART BRASS MFG. CO., INC. ELKHART, INDIANA	
	THIS DRAWING CONTAINS INFORMATION THAT IS PROPRIETARY TO ELKHART BRASS MFG. CO., INC. AND MAY NOT BE USED TO PRODUCE ANY PARTS, ASSEMBLIES OR PRODUCTS DESCRIBED HEREIN WITHOUT EXPRESS WRITTEN PERMISSION.	
CLAPPERED SIAMESE PAGE 1 OF 4 06/2009	PART DRAWING	

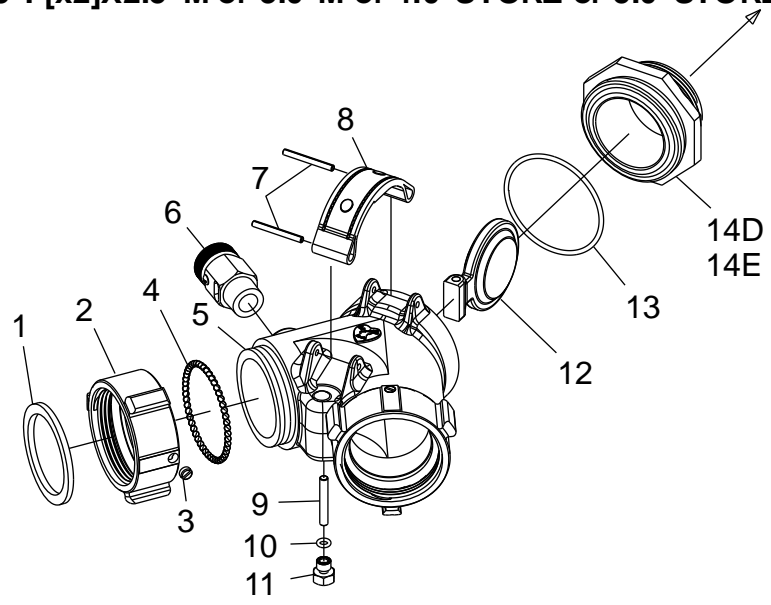
PLAIN & CLAPPERED SIAMESE
(2, 2A - 2.5"Fx2.5"M, 3.0"M,3.5"M, 4.0"M,4.5"M,5.0"M,6.0"M[x2])

INDEX #	MODEL	PART #	QTY	DESCRIPTION
1	ALL	33083000	2	Gasket - Rubber
2	2	62916002	2	2.5" Swivel (Brass)(2.5" x 2.5"M thru 6.0"M(x2))
2	2A	63069001	2	2.5" Swivel (Alum)(2.5" x 2.5" x 2.5")
3	2	61248000	2	Screw Set (Brass)(2.5" x 2.5"M thru 6.0"M(x2))
3	2A	63674000	2	Screw Set (Alum)(2.5" x 2.5" x 2.5")
4	2	15016000	104	.187 Ball Brass (2.5" x 2.5"M thru 6.0"M(x2))
4	2A	15018000	104	.187 Ball S/S (2.5" x 2.5" x 2.5")
5D	2	16070001	1	Wye - Plain (Brass)(2.5" x 2.5" x 2.5")
5D	2A	16106001	1	Wye - Plain (Alum)(2.5" x 2.5" x 2.5")
5E	2	16071001	1	Wye - Plain (Brass)(2.5" x 3.0" x 3.0")
5F	2	16069001	1	Wye - Plain (Brass)(2.5" x 3.5" x 3.5")
5G	2	16072001	1	Wye - Plain (Brass)(2.5" x 4.0" x 4.0")
5H	2	16075001	1	Wye - Plain (Brass)(2.5" x 4.5" x 4.5")
5J	2	16073001	1	Wye - Plain (Brass)(2.5" x 5.0" x 5.0")
5K	2	16074001	1	Wye - Plain (Brass)(2.5" x 6.0" x 6.0")

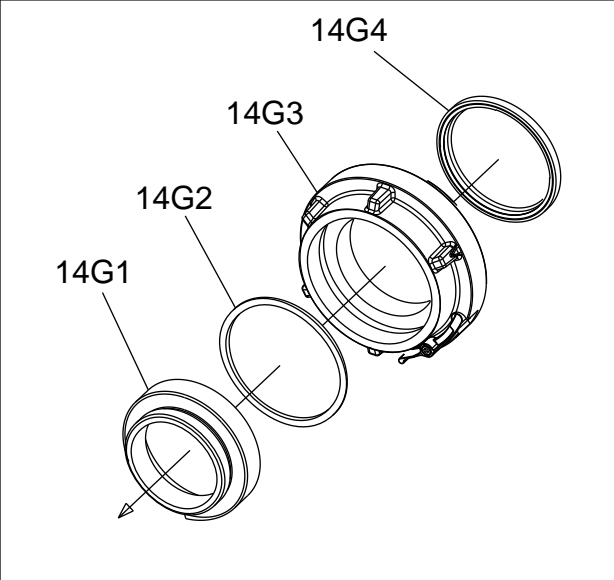
	ELKHART BRASS MFG. CO., INC. ELKHART, INDIANA
THIS DRAWING CONTAINS INFORMATION THAT IS PROPRIETARY TO ELKHART BRASS MFG. CO., INC. AND MAY NOT BE USED TO PRODUCE ANY PARTS, ASSEMBLIES OR PRODUCTS DESCRIBED HEREIN WITHOUT EXPRESS WRITTEN PERMISSION.	
CLAPPERED SIAMESE PAGE 2 OF 4 06/2009	PART LIST

PLAIN & CLAPPED SIAMESE
(4 - 2.5"F[x2]X2.5"M or 3.0"M)
(4A - 2.5"F[x2]X2.5"M or 3.0"M or 4.0"STORZ or 5.0"STORZ)

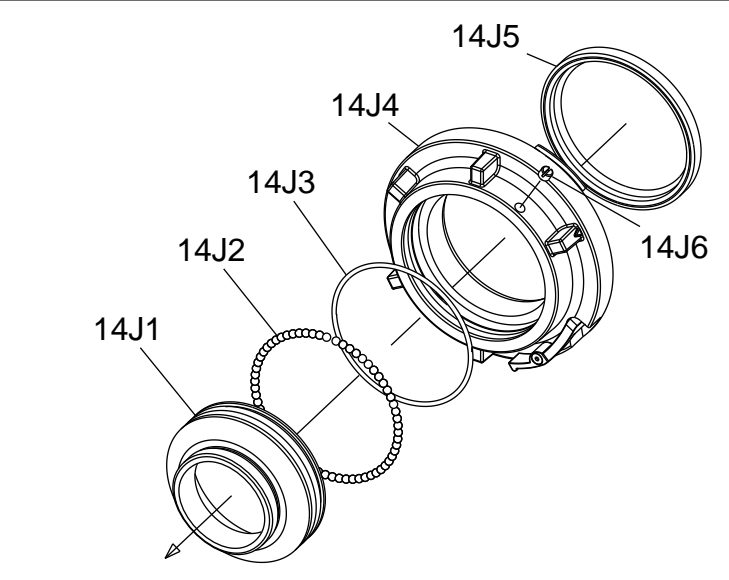
CONTINUE
 WITH STORZ
 OUTLET
 CONNECTION
 OPTIONS
 (FOR 4A ONLY)




OUTLET CONNECTION OPTIONS



2.5" F(x2) X 4" STORZ



2.5" F(x2) X 5" STORZ "


 ELKHART BRASS MFG. CO., INC. ELKHART, INDIANA	
THIS DRAWING CONTAINS INFORMATION THAT IS PROPRIETARY TO ELKHART BRASS MFG. CO., INC. AND MAY NOT BE USED TO PRODUCE ANY PARTS, ASSEMBLIES OR PRODUCTS DESCRIBED HEREIN WITHOUT EXPRESS WRITTEN PERMISSION.	
CLAPPED SIAMESE PAGE 3 OF 4 06/2008	PART DRAWING

PLAIN & CLAPPERED SIAMESE

(4 - 2.5" F[x2]X2.5" M or 3.0" M)

(4A - 2.5" F[x2]X2.5" M or 3.0" M or 4.0" STORZ or 5.0" STORZ)

INDEX #	MODEL	PART #	QTY	DESCRIPTION
1	ALL	33083000	2	Gasket - Rubber
2	4	62919002	2	2.5" Swivel (Brass)
2	4A	63069001	2	2.5" Swivel (Alum)
3	4	61222000	2	Screw Set (Brass)
3	4A	63674000	2	Screw Set (Alum)
4	4	15016000	52	.187 Ball Brass
4	4A	15018000	52	.187 Ball S/S
5	4	15824001	1	Line Body (Brass)
5	4A	15823001	1	Line Body (Alum)
6	4	03730001	1	Drain Valve (Brass)
6	4A	03731001	1	Drain Valve (Alum)
7	ALL	52721000	2	Rolled Pin S/S
8	ALL	62751000	1	Carrying Strap
9	ALL	52111001	1	Pin - Clapper
10	ALL	57446000	1	O-Ring
11	4	17854000	1	Bolt - Clapper Pin (Brass)
11	4A	16413001	1	Bolt - Clapper Pin (Alum)
12	ALL	20503000	1	Clapper
13	ALL	57314000	1	O-Ring
14D	4	11559001	1	2.5" Body Adapter (Brass)
14D	4A	11558001	1	2.5" Body Adapter (Alum)
14E	4	10056001	1	3.0" Body Adapter (Brass)
14E	4A	11531001	1	3.0" Body Adapter (Alum)
14G1	4A	10708001	1	4.0" Adapter (4.0" Storz Outlet)
14G2	4A	33260000	1	Gasket - Rubber (4.0" Storz Outlet)
14G3	4A	11668000	1	Adapter 4.0" Storz (4.0" Storz Outlet)
14G4	4A	61201000	1	Seat (4.0" Storz Outlet)
14J1	4A	11709001	1	5.0" Adapter (5.0" Storz Outlet)
14J2	4A	15027000	64	.250 Ball S/S (5.0" Storz Outlet)
14J3	4A	57403000	1	O-Ring (5.0" Storz Outlet)
14J4	4A	11671000	1	Adapter 5.0" Storz (5.0" Storz Outlet)
14J5	4A	61202000	1	Seat (5.0" Storz Outlet)
14J6	4A	63675000	1	Screw Set (5.0" Storz Outlet)

 ELKHART BRASS MFG. CO., INC. ELKHART, INDIANA	
<small>THIS DRAWING CONTAINS INFORMATION THAT IS PROPRIETARY TO ELKHART BRASS MFG. CO., INC. AND MAY NOT BE USED TO PRODUCE ANY PARTS, ASSEMBLIES OR PRODUCTS DESCRIBED HEREIN WITHOUT EXPRESS WRITTEN PERMISSION.</small>	
CLAPPERED SIAMESE PAGE 4 OF 4 06/2009	PART LIST

CONNECTION OPTIONS KEY*


DESIGNATIONS

A	.75"
B	1"
C	1.5"
D	2.5"
E	3"
F	3.5"
G	4"
H	4.5"
J	5"
K	6"

*Example: A 1" female swivel inlet would be **B***

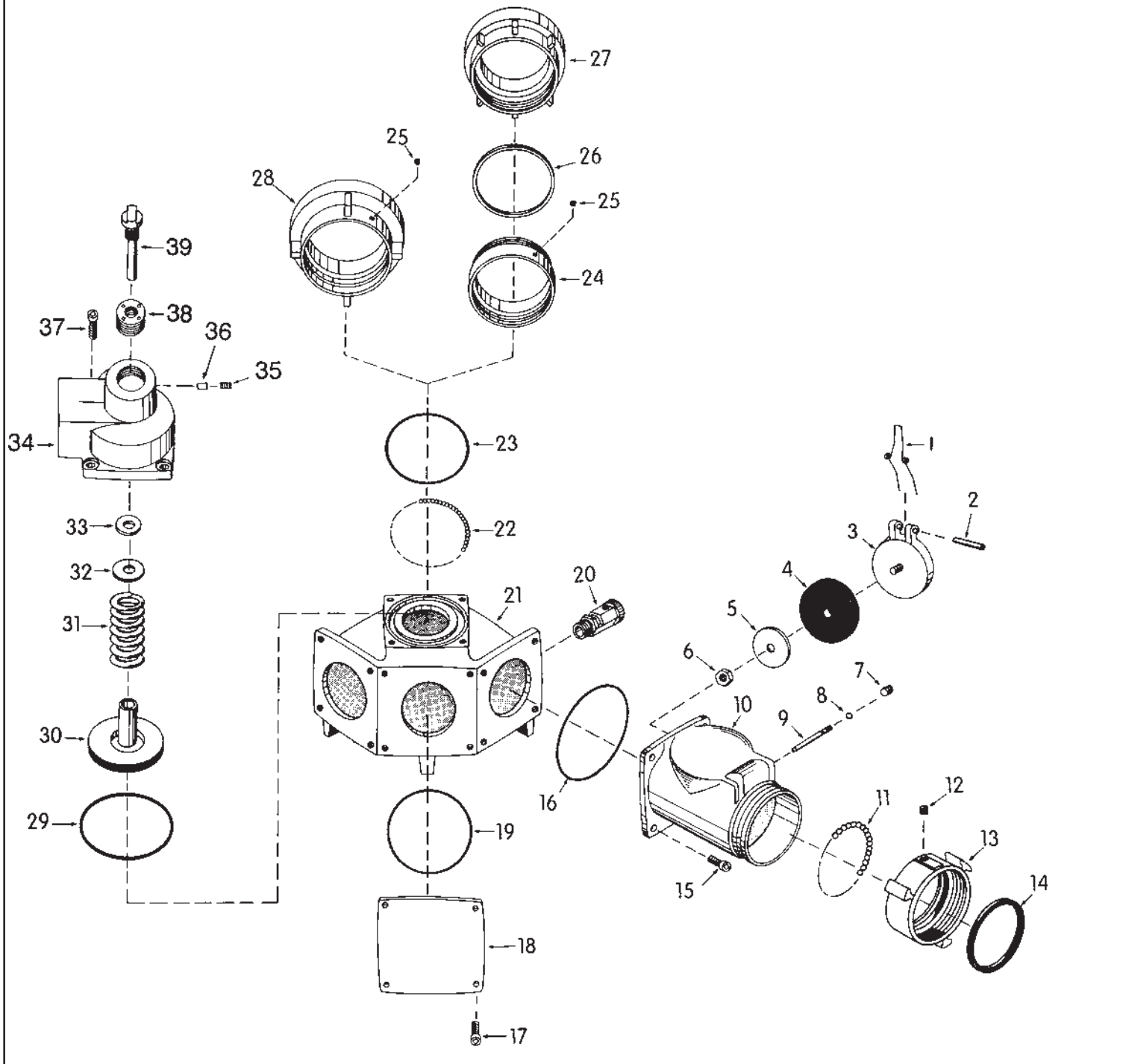
*Not all inlet or outlet options will be available with every appliance.

All appliances are NHT unless otherwise specified. Inquire with our sales staff about other thread options.

	ELKHART BRASS MFG. CO., INC. ELKHART, INDIANA
THIS DRAWING CONTAINS INFORMATION THAT IS PROPRIETARY TO ELKHART BRASS MFG. CO., INC. AND MAY NOT BE USED TO PRODUCE ANY PARTS, ASSEMBLIES OR PRODUCTS DESCRIBED HEREIN WITHOUT EXPRESS WRITTEN PERMISSION.	
CONNECTION OPTIONS KEY 03/2009	

9702 & 9703

April 2001



INDEX NO.	PART NO.	QTY. REQ.	DESCRIPTION
1	61810	*	Clapper Spring
2	63894	*	Clapper Sleeve
3	20499	*	Clapper
4	33216	*	Rubber Gasket
5	71077	*	Flat Washer
6	47528	*	Lock Nut
7	63675	*	Set Screw
8	57424	*	"O" Ring
9	52109	*	Solid Pin
10	17661	*	Clapper Body
11	15018	**	.187" Diam. S/S Ball
12	63674	*	Set Screw
13	63069	*	2.5" B/G Swivel
14	33083	*	Rubber Gasket
15	63798	†	Cap Screw S/S
16	57313	*	"O" Ring
17	63790	4	Cap Screw S/S (9702 only)
18	51407	1	Cover Plate (9702 only)
19	57456	1	"O" Ring (9702 only)
20		1	#114 Drain Valve
21	17665	1	Siamese Body
22	15027	64	.250" S/S Ball
23	57402	1	"O" Ring
24	11655	1	Free Swivel Adapter
25	63675	1	Set Screw
26	33260	1	Rubber Gasket
27	10792	1	4.0" Storz Connector
28	10809	1	5.0" Storz Connector F/S
29	57456	1	"O" Ring
30	52196	1	Piston
31	62123	1	Coil Spring
32	71130	1	Tension Washer
33	71189	1	Thrust Washer
34	16982	1	Valve Bonnet
35	63697	1	Set Screw S/S
36	51021	1	Locking Pallet
37	63798	4	Cap Screw S/S
38	16674	1	Adjusting Bushing
39	16422	1	Adjusting Screw

* Requires 2 for 9702 and 3 for 9703
 ** Requires 104 for 9702 and 156 for 9703
 † Requires 8 for 9702 and 12 for 9703