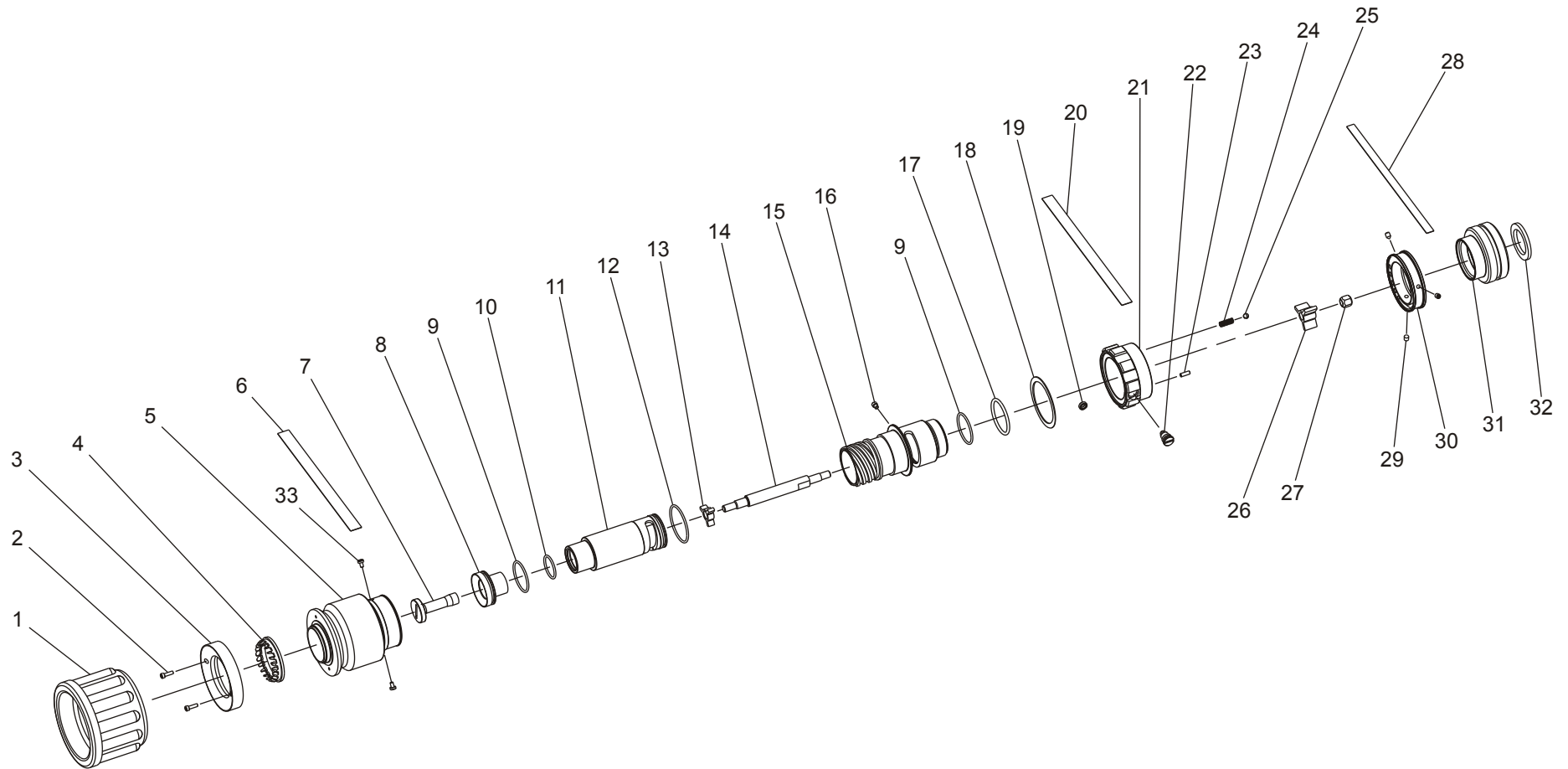


PHANTOM TIPS (TPSFS-HP, TPSFS-HPT)




ELKHART BRASS MFG. CO., INC.
 ELKHART, INDIANA

THIS DRAWING CONTAINS INFORMATION THAT IS
 PROPRIETARY TO ELKHART BRASS MFG. CO., INC.
 AND MAY NOT BE USED TO PRODUCE ANY PARTS,
 ASSEMBLIES OR PRODUCTS DESCRIBED HEREIN
 WITHOUT EXPRESS WRITTEN PERMISSION.

PHANTOM TIPS
 PAGE 1 OF 8
 03/2008

PART
 DRAWING

**PHANTOM TIPS
(TPSFS-HP, TPSFS-HPT)**

INDEX #	MODEL	PART #	QTY	DESCRIPTION
1	ALL	33653610	1	Bumper - Black (STD)
2	ALL	63780000	2	Cap Screw
3	ALL	59124001	1	Retaining Teeth
4	ALL	58978000	1	Spinning Teeth
5	TPSFS-HPT	66410001	1	Tip Nozzle
5	TPSFS-HP	66411001	1	Tip Nozzle
6	ALL	SPECIFY	1	Label - Stream Pattern
7	ALL	66510001	1	Stem - Hand
8	TPSFS-HPT	18107001	1	Barrel Center (Front)
9	ALL	57337000	2	O-Ring
10	TPSFS-HPT	57483000	1	O-Ring
11	TPSFS-HPT	18108001	1	Barrel Center (Rear)
11	TPSFS-HP	18106001	1	Barrel Center (Rear)
12	TPSFS-HPT	57521000	1	O-Ring
13	ALL	33717001	1	Guide (Web) Stem
14	ALL	63439001	1	Base - Stem (Shaft)
15	ALL	17177001	1	Body - Nozzle (Web)
16	ALL	65064000	1	Screw - Guide
17	ALL	57396000	1	O-Ring
18	ALL	71557000	1	Washer
19	ALL	17875001	1	Bushing - Bearing
20	ALL	SPECIFY	1	Label - Flow/Pressure
21	ALL	59175001	1	Ring - Gallonage
22	ALL	65077001	1	Screw - Drive (Cam)
23	ALL	52116000	1	Pin - Dowel
24	ALL	62145000	1	Spring - Coil
25	ALL	15018000	1	.187 Ball S/S
26	ALL	33718001	1	Base (Web) Stem
28	ALL	SPECIFY	1	Label - Identification
27	ALL	47499001	1	Hex - Nut (Pivot)
30	ALL	59174001	1	Ring - Calibration
29	ALL	63693000	3	Screw - Set
31	ALL	15448001	1	Base (1" NHT Rigid)
32	ALL	33091000	1	Gasket - Rubber (1" NHT Rigid)
33	TPSFS-HP	65129000	2	Torx Screw



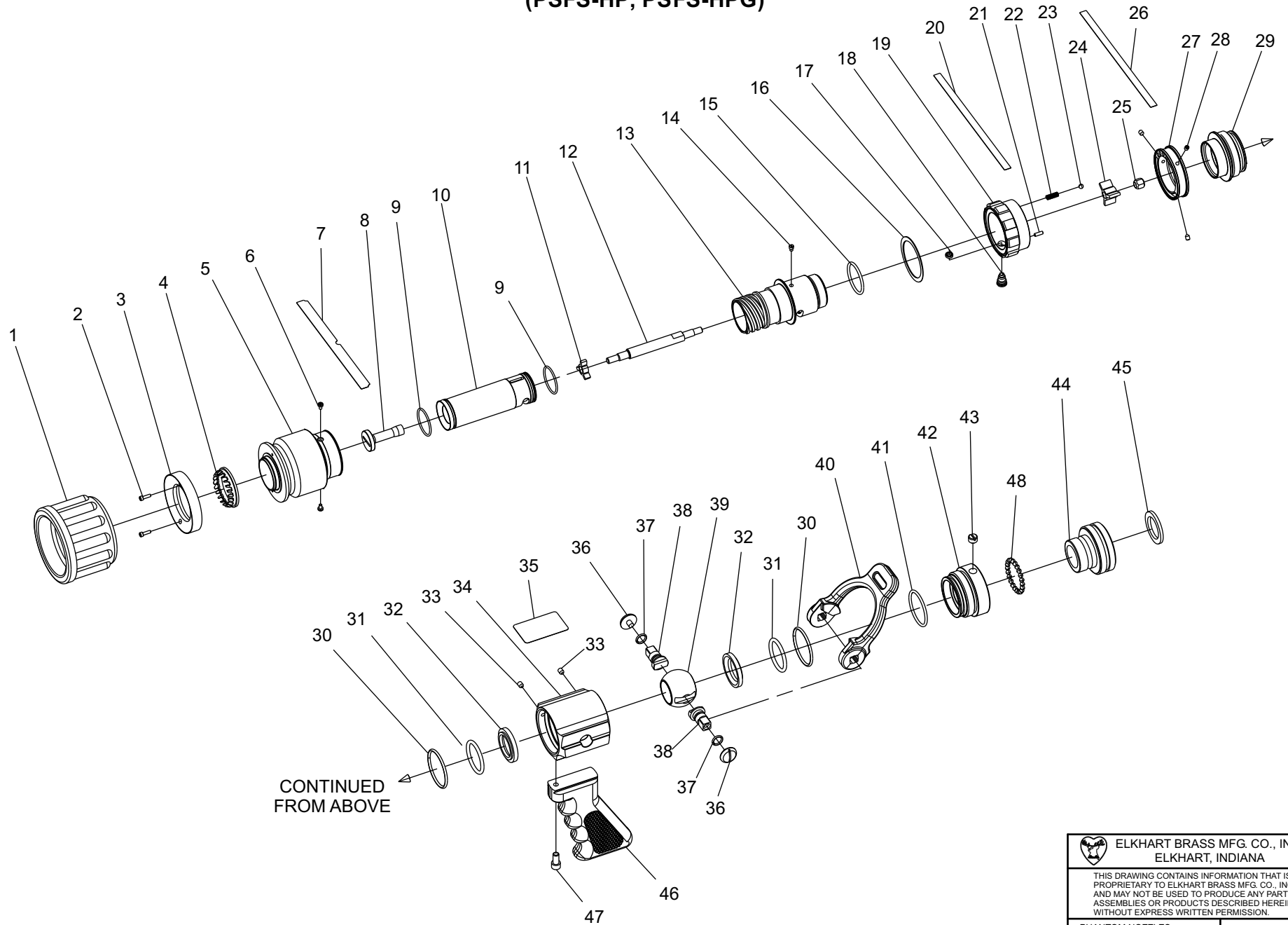
ELKHART BRASS MFG. CO., INC.
ELKHART, INDIANA

THIS DRAWING CONTAINS INFORMATION THAT IS
PROPRIETARY TO ELKHART BRASS MFG. CO., INC.
AND MAY NOT BE USED TO PRODUCE ANY PARTS,
ASSEMBLIES OR PRODUCTS DESCRIBED HEREIN
WITHOUT EXPRESS WRITTEN PERMISSION.


PHANTOM TIPS
PAGE 2 OF 8
03/2008

PART
LIST

PHANTOM NOZZLES (PSFS-HP, PSFS-HPG)




CONTINUED FROM ABOVE

 ELKHART BRASS MFG. CO., INC. ELKHART, INDIANA	
<small>THIS DRAWING CONTAINS INFORMATION THAT IS PROPRIETARY TO ELKHART BRASS MFG. CO., INC. AND MAY NOT BE USED TO PRODUCE ANY PARTS, ASSEMBLIES OR PRODUCTS DESCRIBED HEREIN WITHOUT EXPRESS WRITTEN PERMISSION.</small>	
PHANTOM NOZZLES PAGE 3 OF 8 03/2008	PART DRAWING

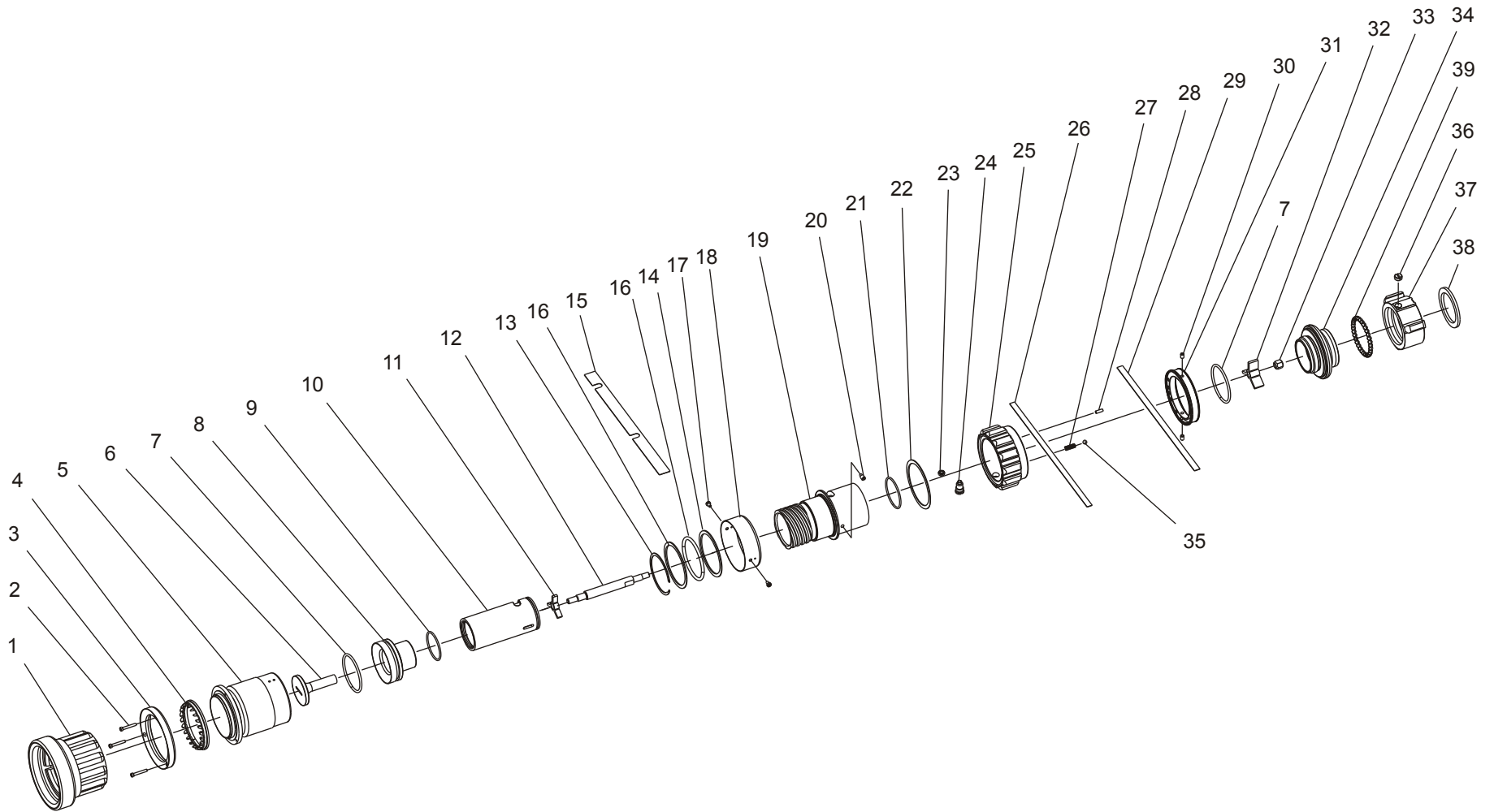
**PHANTOM NOZZLES
(PSFS-HP, PSFS-HPG)**

INDEX #	MODEL	PART #	QTY	DESCRIPTION
1	ALL	33653610	1	Bumper - Black (STD)
2	ALL	63780000	2	Cap Screw
3	ALL	59124001	1	Retaining Teeth
4	ALL	58978000	1	Spinning Teeth
5	ALL	66411001	1	Tip Nozzle
6	ALL	65129000	2	Torx Screw
7	ALL	44513000	1	Label - Stream Pattern
8	ALL	65510001	1	Stem - Head
9	ALL	57337000	2	O-Ring
10	ALL	18106001	1	Barrel Center
11	ALL	33717001	1	Guide (Web) Stem
12	ALL	63439001	1	Base - Stem (Shaft)
13	ALL	17177001	1	Body Nozzle (Stem)
14	ALL	65064000	1	Screw - Guide
15	ALL	57396000	1	O-Ring
16	ALL	71557000	1	Washer
17	ALL	17875001	1	Bushing - Bearing
18	ALL	65077001	1	Screw - Drive (CAM)
19	ALL	59175001	1	Ring - Gallonage
20	ALL	SPECIFY	1	Label - Flow/Pressure
21	ALL	52116000	1	Pin - Dowel
22	ALL	62145000	1	Spring - Coil
23	ALL	15018000	23	.187 Ball S/S
24	ALL	33718001	1	Base (Web) Stem
25	ALL	47499001	1	Hex - Nut (Pivot)
26	ALL	44511000	1	Label - Identification
27	ALL	59174001	1	Ring - Calibration
28	ALL	63693000	3	Screw - Set
29	ALL	11743001	1	Adapter - Body Web
30	ALL	57330000	2	O-Ring
31	ALL	57350000	2	O-Ring
32	ALL	61415000	2	Seat - Valve
33	ALL	61269000	2	Socket Set Screw S/S
34	ALL	17756001	1	Body - Valve
35	ALL	44385000	1	Label - Open & Close
36	ALL	61286000	2	Screw - Actuator Shaft S/S
37	ALL	57298000	2	O-Ring
38	ALL	65305000	2	Shaft - Actuator
39	ALL	17333001	1	Ball - Valve (1.0)
40	ALL	36278005	1	Tab Handle (STD) - Chrome (STD)
41	ALL	57336000	1	O-Ring
42	ALL	11627001	1	Adapter - Body (1" NHT Free Swivel)
43	ALL	63688000	1	Screw - Set (1" NHT Free Swivel)
44	ALL	16760001	1	Base - Adapter (1" NHT Free Swivel)
45	ALL	33091000	1	Gasket - Rubber (1" NHT Free Swivel)
46	PSFS-HPG	33781001	1	Pistol Grip - Elk-O-Lite (STD)*
47	PSFS-HPG	61040000	1	Screw S/S
48	ALL	15018000	23	.187 Ball S/S

	ELKHART BRASS MFG. CO., INC. ELKHART, INDIANA
THIS DRAWING CONTAINS INFORMATION THAT IS PROPRIETARY TO ELKHART BRASS MFG. CO., INC. AND MAY NOT BE USED TO PRODUCE ANY PARTS, ASSEMBLIES OR PRODUCTS DESCRIBED HEREIN WITHOUT EXPRESS WRITTEN PERMISSION.	
PHANTOM NOZZLES PAGE 4 OF 8 03/2008	PART LIST

*RECOMMENDED WITH FREE SWIVEL BASE ONLY

PHANTOM TIPS (TSFM-HP, TSFM-HPT, TSFM-LP, TSFM-LPT)




ELKHART BRASS MFG. CO., INC.
 ELKHART, INDIANA


THIS DRAWING CONTAINS INFORMATION THAT IS
 PROPRIETARY TO ELKHART BRASS MFG. CO., INC.
 AND MAY NOT BE USED TO PRODUCE ANY PARTS,
 ASSEMBLIES OR PRODUCTS DESCRIBED HEREIN
 WITHOUT EXPRESS WRITTEN PERMISSION.

PHANTOM TIPS
 PAGE 5 OF 8
 03/2008

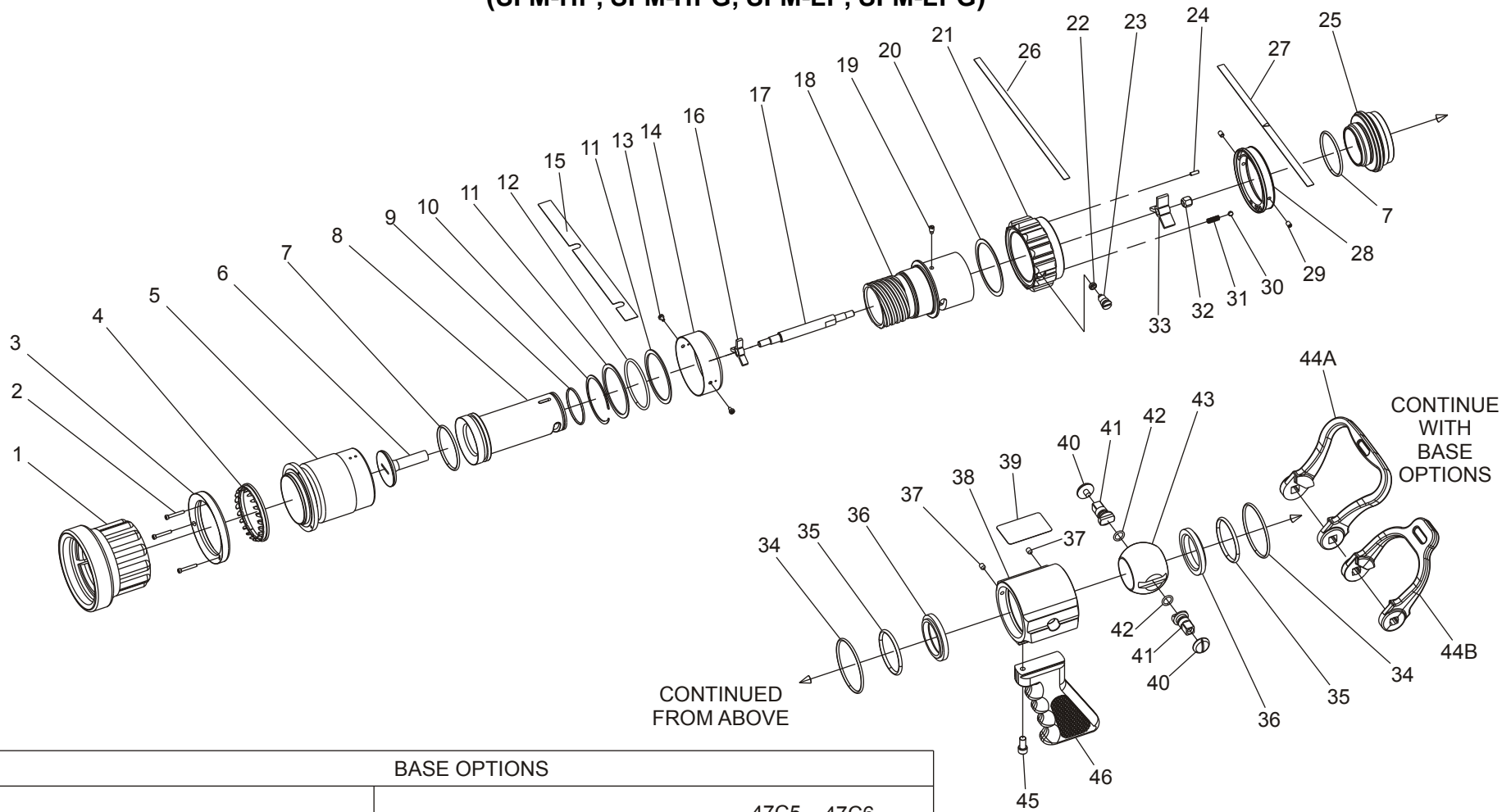
PART
 DRAWING

PHANTOM TIPS
(TSFM-HP, TSFM-HPT, TSFM-LP, TSFM-LPT)

INDEX #	MODEL	PART #	QTY	DESCRIPTION	INDEX #	MODEL	PART #	QTY	DESCRIPTION
1	ALL	33667000	1	Bumper - Black (STD)	16	TSFM-HPT	71548000	1	Washer
2	ALL	64069000	3	Cap Screw	16	TSFM-LPT	71548000	1	Washer
3	ALL	57638001	1	Retaining Ring	16	TSFM-HP	71548000	2	Washer
4	ALL	58977000	1	Spinning Teeth	16	TSFM-LP	71548000	2	Washer
5	TSFM-HPT	66400001	1	Nozzle Tip (Twist Shut-Off)	17	ALL	65129000	2	Torx Screw
5	TSFM-LPT	66400001	1	Nozzle Tip (Twist Shut-Off)	18	ALL	61670001	1	Sleeve - Tip
5	TSFM-HP	66398001	1	Nozzle Tip (Non-Twist Shut-Off)	19	TSFM-HPT	17169001	1	Body - Nozzle (Twist Shut-Off)
5	TSFM-LP	66398001	1	Nozzle Tip (Non-Twist Shut-Off)	19	TSFM-LPT	17169001	1	Body - Nozzle (Twist Shut-Off)
6	TSFM-HPT	65512001	1	Stem - Head	19	TSFM-HP	17168001	1	Body - Nozzle (Non-Twist Shut-Off)
6	TSFM-LPT	65512001	1	Stem - Head	19	TSFM-LP	17168001	1	Body - Nozzle (Non-Twist Shut-Off)
6	TSFM-HP	65511001	1	Stem - Head	20	ALL	65063000	1	Screw - Guide
6	TSFM-LP	65511001	1	Stem - Head	21	ALL	57482000	1	O-Ring
7	ALL	57334000	2	O-Ring	22	ALL	71547000	1	Washer
8	TSFM-HPT	17497001	1	Barrel Center (Front)	23	ALL	65074001	1	Screw - Drive (CAM)
8	TSFM-LPT	17497001	1	Barrel Center (Front)	24	ALL	17875000	1	Bushing - Bearing
8	TSFM-HP	17500001	1	Barrel Center	25	ALL	57239001	1	Ring - Flow
8	TSFM-LP	17500001	1	Barrel Center	26	ALL	SPECIFY	1	Label - Flow/Pressure
9	TSFM-HPT	57521000	1	O-Ring	27	ALL	62145000	1	Spring - Coil
9	TSFM-LPT	57521000	1	O-Ring	28	ALL	52116000	1	Pin - Dowel
9	TSFM-HP	57334000	1	O-Ring	29	ALL	SPECIFY	1	Label - Pointer
9	TSFM-LP	57334000	1	O-Ring	30	ALL	61270000	2	Screw-Set
10	TSFM-HPT	17496001	1	Barrel Center (Rear)	31	TSFM-HPT	57279001	1	Ring - Calibration
10	TSFM-LPT	17496001	1	Barrel Center (Rear)	31	TSFM-LPT	57278001	1	Ring - Calibration
11	ALL	34000001	1	Guide (Web) Stem	31	TSFM-HP	57279001	1	Ring - Calibration
12	ALL	63439001	1	Base - Stem (Shaft)	31	TSFM-LP	57278001	1	Ring - Calibration
13	TSFM-HP	59123000	1	Ring - Retainer	32	ALL	34001001	1	Base (Web) Stem
13	TSFM-LP	59123000	1	Ring - Retainer	33	ALL	47499001	1	Hex - Nut (Pivot)
14	TSFM-HPT	57405000	1	O-Ring	34	ALL	11632001	1	Adapter - Base (1.5" NHT Swivel)
14	TSFM-LPT	57405000	1	O-Ring	35	ALL	15018000	1	.187 Ball S/S (1.5" NHT Swivel)
14	TSFM-HP	57360000	1	O-Ring	36	ALL	63674000	1	Screw - Set (1.5" NHT Swivel)
14	TSFM-LP	57360000	1	O-Ring	37	ALL	63068001	1	Swivel (1.5" NHT Swivel)
15	ALL	SPECIFY	1	Label - Stream Pattern	38	ALL	33074000	1	Gasket - Rubber (1.5" NHT Swivel)
					39	ALL	15018000	33	.187 Ball S/S (1.5" NHT Swivel)

	ELKHART BRASS MFG. CO., INC. ELKHART, INDIANA
THIS DRAWING CONTAINS INFORMATION THAT IS PROPRIETARY TO ELKHART BRASS MFG. CO., INC. AND MAY NOT BE USED TO PRODUCE ANY PARTS, ASSEMBLIES OR PRODUCTS DESCRIBED HEREIN WITHOUT EXPRESS WRITTEN PERMISSION.	
PHANTOM TIPS PAGE 6 OF 8 02/17/2009	PART LIST

PHANTOM NOZZLES (SFM-HP, SFM-HPG, SFM-LP, SFM-LPG)




BASE OPTIONS	
*1.5" SWIVEL (STD)	1.5" FREE SWIVEL STD FOR PISTOL GRIP

ELKHART BRASS MFG. CO., INC. ELKHART, INDIANA	
THIS DRAWING CONTAINS INFORMATION THAT IS PROPRIETARY TO ELKHART BRASS MFG. CO., INC. AND MAY NOT BE USED TO PRODUCE ANY PARTS, ASSEMBLIES OR PRODUCTS DESCRIBED HEREIN WITHOUT EXPRESS WRITTEN PERMISSION.	
PHANTOM NOZZLES PAGE 7 OF 8 03/2008	PART DRAWING

*NOT RECOMMENDED FOR PISTOL GRIP

PHANTOM NOZZLES
(SFM-HP, SFM-HPG, SFM-LP, SFM-LPG)

INDEX #	MODEL	PART #	QTY	DESCRIPTION	INDEX #	MODEL	PART #	QTY	DESCRIPTION
1	ALL	33667000	1	Bumper - Black (STD)	29	ALL	61270000	2	Screw - Set
2	ALL	64069000	3	Cap Screw	30	ALL	15018000	1	.187 Ball S/S
3	ALL	57638001	1	Retaining Ring	31	ALL	62145000	1	Spring - Coil
4	ALL	58977000	1	Spinning Teeth	32	ALL	47499001	1	Hex - Nut (Pivot)
5	ALL	66398001	1	Nozzle Tip	33	ALL	34001001	1	Guide - Stem (Web) Base
6	ALL	65511001	1	Stem Head	34	ALL	57324000	2	O-Ring
7	ALL	57334000	2	O-Ring	35	ALL	57309000	2	O-Ring
8	ALL	17500001	1	Barrel Center	36	ALL	63863000	2	Seat Valve
9	ALL	57482000	1	O-Ring	37	ALL	61269000	2	Socket Set Screw S/S
10	ALL	59123000	1	Ring Retainer	38	ALL	17748001	1	Body - Shut-Off
11	ALL	71548000	2	Washer	39	ALL	44385000	1	Label
12	ALL	57360000	1	O-Ring	40	ALL	61286000	2	Screw - Actuator Shaft (S/S)
13	ALL	65129000	2	Torx Screw	41	ALL	65305000	2	Shaft Actuator
14	ALL	61670001	1	Sleeve - Tip	42	ALL	57298000	2	O-Ring
15	ALL	SPECIFY	1	Label - Stream Pattern	43	ALL	17328001	1	1.375 Valve Ball
16	ALL	34000001	1	Guide - Stem (Web)	44A	ALL	36684005	1	Horseshoe Handle - Chrome (STD)
17	ALL	63439001	1	Base - Stem (Shaft)	44B	ALL	36279005	1	Tab Handle - Chrome (STD)
18	ALL	17168001	1	Body - Nozzle	45	SFM-LPG	61040000	1	Screw S/S
19	ALL	65063000	1	Screw - Guide	45	SFM-HPG	61040000	1	Screw S/S
20	ALL	71547000	1	Washer - Wear	46	SFM-LPG	33781001	1	Pistol Grip - Elk-O-Lite (STD)*
21	ALL	57239001	1	Ring - Gallonage	46	SFM-HPG	33781001	1	Pistol Grip - Elk-O-Lite (STD)*
22	ALL	17875001	1	Bushing - Bearing	47A1	ALL	11626001	1	Adapter (1.5" NHT Swivel)
23	ALL	65074001	1	Screw - Drive (CAM)	47A2	ALL	15018000	32	.187 Ball S/S (1.5" NHT Swivel)
24	ALL	52116000	1	Pin - Dowel	47A3	ALL	63068001	1	Swivel (1.5" NHT Swivel)
25	ALL	11944001	1	Adapter - Nozzle	47A4	ALL	63674000	1	Screw - Set (1.5" NHT Swivel)
26	ALL	SPECIFY	1	Label - Gallonage & Flush	47A5	ALL	33074000	1	Gasket - Rubber (1.5" NHT Swivel)
27	ALL	SPECIFY	1	Label - Gallonage Pointer	47C1	ALL	11625001	1	Adapter - Base (1.5" NHT Free Swivel)
28	SFM-HPG	57279001	1	Ring - Calibration	47C2	ALL	63688000	1	Set Screw (1.5" NHT Free Swivel)
28	SFM-HP	57279001	1	Ring - Calibration	47C3	ALL	57309000	1	O-Ring (1.5" NHT Free Swivel)
28	SFM-LPG	57278001	1	Ring - Calibration	47C4	ALL	15018000	32	.187 Ball S/S (1.5" NHT Free Swivel)
28	SFM-LP	57278001	1	Ring - Calibration	47C5	ALL	16765001	1	Base (1.5" NHT Free Swivel)
					47C6	ALL	33074000	1	Gasket - Rubber (1.5" NHT Free Swivel)

	ELKHART BRASS MFG. CO., INC. ELKHART, INDIANA
THIS DRAWING CONTAINS INFORMATION THAT IS PROPRIETARY TO ELKHART BRASS MFG. CO., INC. AND MAY NOT BE USED TO PRODUCE ANY PARTS, ASSEMBLIES OR PRODUCTS DESCRIBED HEREIN WITHOUT EXPRESS WRITTEN PERMISSION.	
PHANTOM NOZZLES PAGE 8 OF 8 03/2008	PART LIST

*RECOMMENDED WITH FREE SWIVEL BASE ONLY

BASE OPTIONS KEY*

LETTER

DESIGNATION	BASE DESCRIPTION
A	1.0" or 1.5" Swivel
AA	2.5" Swivel (Long)
B	1.0" or 1.5" Rigid
BB	2.5" Rigid
C	1.0" or 1.5" Free Swivel
CC	2.5" Free Swivel (Long)
CCC	2.5" Free Swivel (Short)

*Not all base options will be available with every tip and/or nozzle.

All nozzles are NHT unless otherwise specified. Inquire with our sales staff about other thread options.



ELKHART BRASS MFG. CO., INC.
ELKHART, INDIANA

THIS DRAWING CONTAINS INFORMATION THAT IS
PROPRIETARY TO ELKHART BRASS MFG. CO., INC.
AND MAY NOT BE USED TO PRODUCE ANY PARTS,
ASSEMBLIES OR PRODUCTS DESCRIBED HEREIN
WITHOUT EXPRESS WRITTEN PERMISSION.

BASE OPTIONS
KEY
04/2008