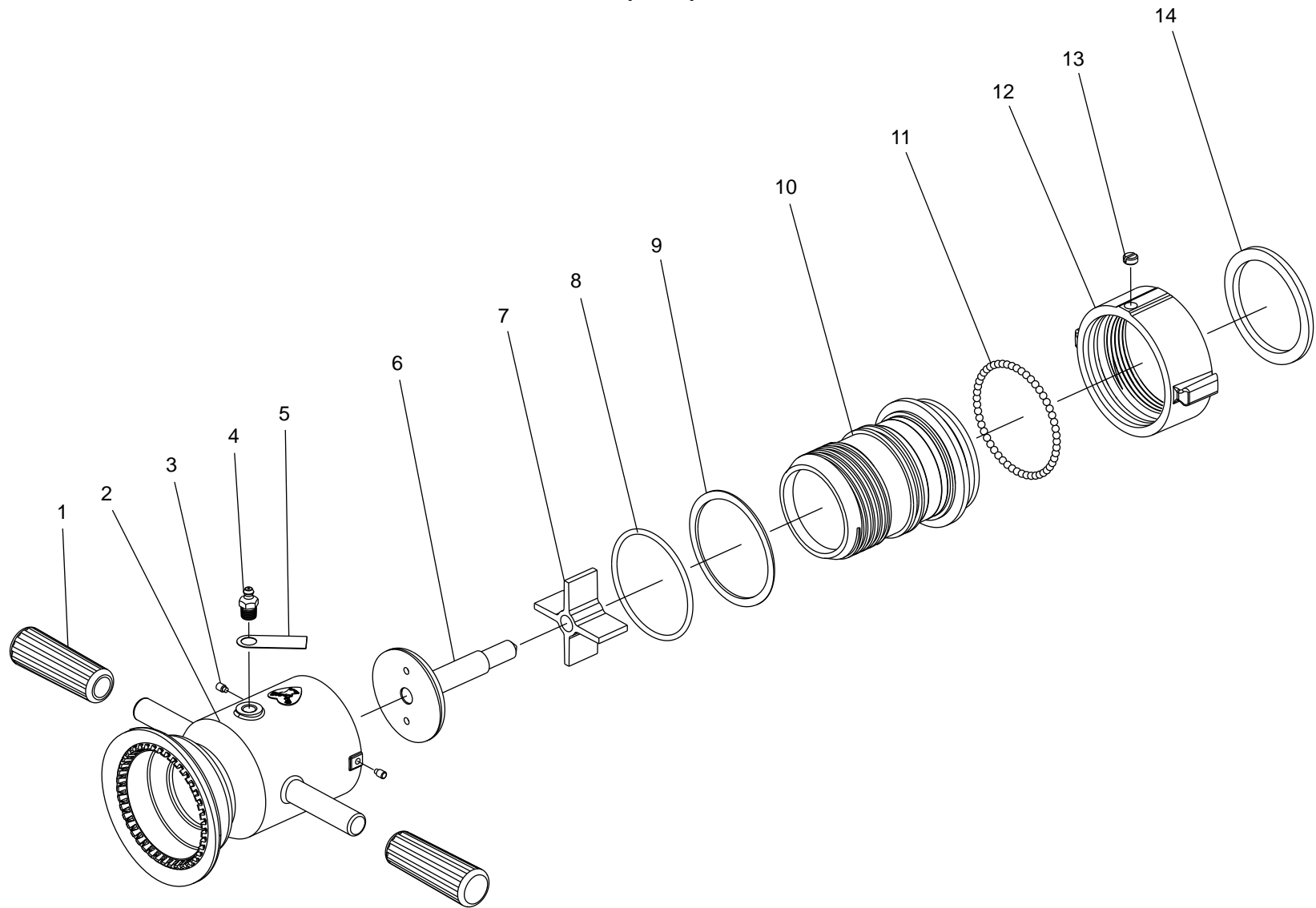


# MYSTERY (J,JN)



 ELKHART BRASS MFG. CO., INC.  
ELKHART, INDIANA


THIS DRAWING CONTAINS INFORMATION THAT IS  
PROPRIETARY TO ELKHART BRASS MFG. CO., INC.  
AND MAY NOT BE USED TO PRODUCE ANY PARTS,  
ASSEMBLIES OR PRODUCTS DESCRIBED HEREIN  
WITHOUT EXPRESS WRITTEN PERMISSION.

MYSTERY  
PAGE 1 OF 4  
06/2008

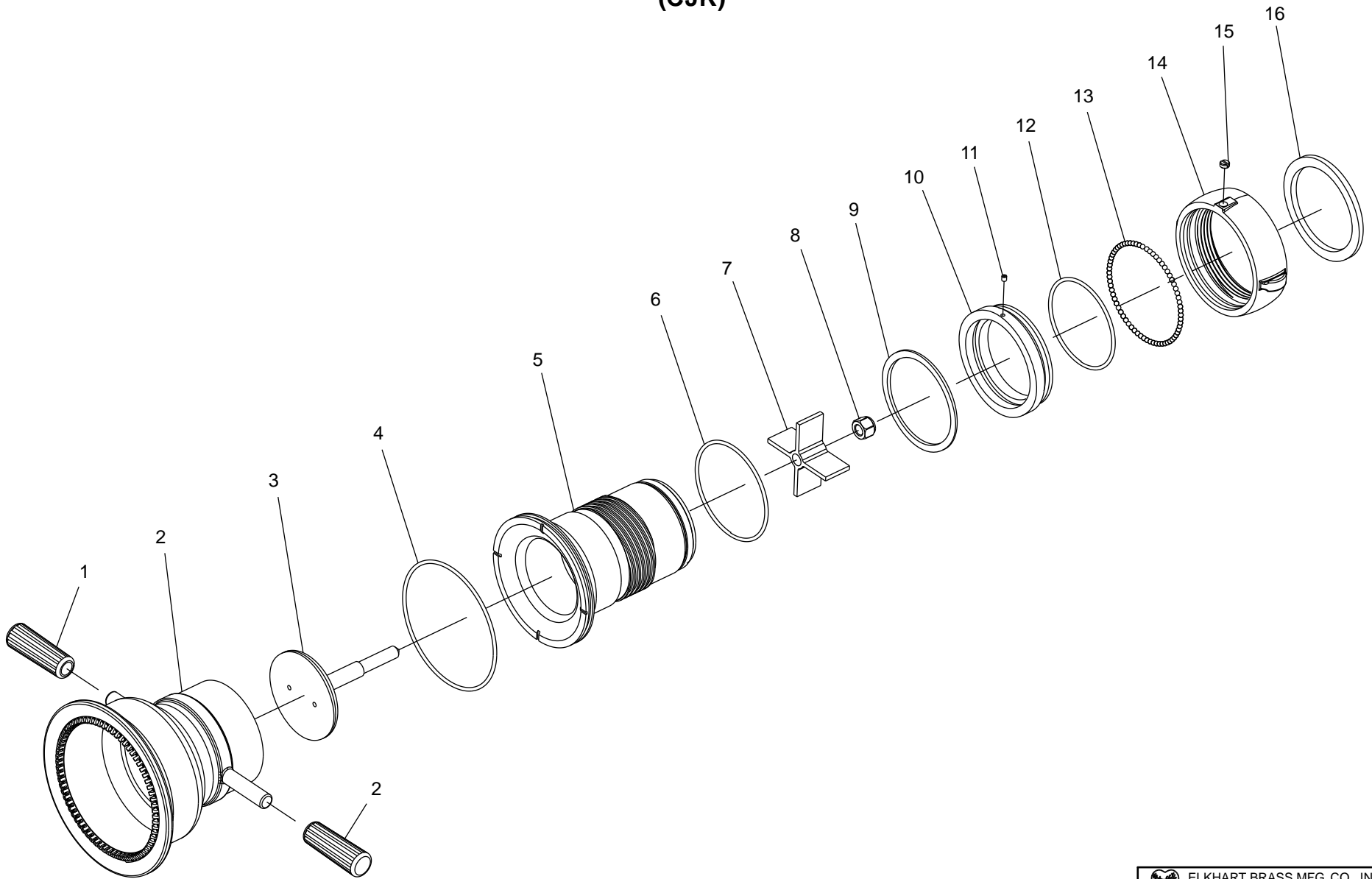
PART  
DRAWING

**MYSTERY  
(J,JN)**

INDEX #	MODEL	PART #	QTY	DESCRIPTION
1	ALL	33626000	2	Handgrip - Black
2	J	66304001	1	Nozzle Tip Non Shut-off (Brass)
2	J	66304003	1	Nozzle Tip (Polish Brass)
2	J	66304005	1	Nozzle Tip (Rgh-Chr Brass)
2	JN	66335001	1	Nozzle Tip (Brass)
2	JN	66335004	1	Nozzle Tip (Chr-Plt Brass)
3	J	63684000	2	Set Screw Non Shut-off
4	ALL	32143000	1	Grease Fitting
5	ALL	66042000	1	Instruction Tag
6	J	62033001	1	Stem - 500 GPM (Brass)
6	J	62033005	1	Stem - 500 GPM (Chr-Plt)
6	J	62039001	1	Stem - 350 GPM (Brass)
6	J	62039005	1	Stem - 350 GPM (Chr-Plt)
6	JN	62056001	1	Stem - 1000 GPM (Brass)
6	JN	62056004	1	Stem - 1000 GPM (Chr-Plt)
7	ALL	63377001	1	Stem Base
8	ALL	57311000	1	O-Ring
9	ALL	33250000	1	Gasket - Rubber
10	J	15938001	1	Body (Brass)
10	J	15938003	1	Body (Polish Brass)
10	J	15938005	1	Body (Rgh-Chr Brass)
10	J	15938101	1	Body Non Shut-off (Brass)
10	JN	17107001	1	Body (Brass)
10	JN	17107004	1	Body (Chr-Plt Brass)
11	ALL	15016000	52	.187 Ball Brass
12	J	62919001	1	Swivel (2.5") Brass
12	J	62919003	1	Swivel (2.5") Polished Brass
12	JN	62919002	1	Swivel (2.5") Satin Brass
12	JN	62919004	1	Swivel (2.5") Chr-Plt Brass
13	ALL	61222000	1	Set Screw
14	ALL	33083000	1	Gasket - Rubber

	ELKHART BRASS MFG. CO., INC. ELKHART, INDIANA
THIS DRAWING CONTAINS INFORMATION THAT IS PROPRIETARY TO ELKHART BRASS MFG. CO., INC. AND MAY NOT BE USED TO PRODUCE ANY PARTS, ASSEMBLIES OR PRODUCTS DESCRIBED HEREIN WITHOUT EXPRESS WRITTEN PERMISSION.	
MYSTERY PAGE 2 OF 4 11/2008	PART LIST

# MYSTERY (CJK)



 ELKHART BRASS MFG. CO., INC.  
ELKHART, INDIANA


THIS DRAWING CONTAINS INFORMATION THAT IS  
PROPRIETARY TO ELKHART BRASS MFG. CO., INC.  
AND MAY NOT BE USED TO PRODUCE ANY PARTS,  
ASSEMBLIES OR PRODUCTS DESCRIBED HEREIN  
WITHOUT EXPRESS WRITTEN PERMISSION.

MYSTERY  
PAGE 3 OF 4  
11/2008

PART  
DRAWING

**MYSTERY  
(CJK)**

INDEX #	PART #	QTY	DESCRIPTION
1	33626000	2	Handgrip - Black
2	66320002	1	Nozzle Tip (Satin Brass)
2	66320004	1	Nozzle Tip (Chr-Plt Brass)
3	62162001	1	Stem - 2000 GPM
3	62163001	1	Stem - 1750 GPM
3	62164001	1	Stem - 1500 GPM
3	62165001	1	Stem - 1250 GPM
4	57423000	1	O-Ring
5	17139001	1	Body Nozzle (Brass)
6	57316000	1	O-Ring
7	63398001	1	Stem Base
8	47474000	1	Hex - Nut
9	33243000	1	Gasket - Rubber
10	11541001	1	Body - Adapter (Brass)
10	11541004	1	Body - Adapter (Chr-Plt Brass)
11	63685000	1	Set Screw
12	57313000	1	O-Ring
13	15016000	71	.187 Ball Brass
14	63311002	1	Swivel (3.5") Satin Brass
14	63311004	1	Swivel (3.5") Chr-Plt Brass
15	61222000	1	Set Screw
16	33186000	1	Gasket - Rubber

	ELKHART BRASS MFG. CO., INC. ELKHART, INDIANA
THIS DRAWING CONTAINS INFORMATION THAT IS PROPRIETARY TO ELKHART BRASS MFG. CO., INC. AND MAY NOT BE USED TO PRODUCE ANY PARTS, ASSEMBLIES OR PRODUCTS DESCRIBED HEREIN WITHOUT EXPRESS WRITTEN PERMISSION.	
MYSTERY PAGE 4 OF 4 11/2008	PART LIST