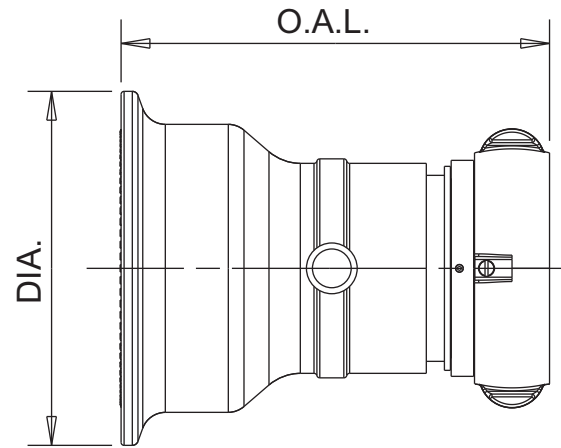
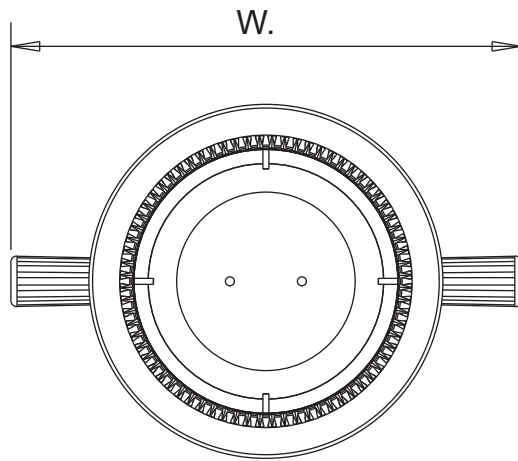


J, JN



CJK



ELKHART BRASS MFG. CO., INC.
ELKHART, INDIANA

THIS DRAWING CONTAINS INFORMATION THAT IS
PROPRIETARY TO ELKHART BRASS MFG. CO., INC.
AND MAY NOT BE USED TO PRODUCE ANY PARTS,
ASSEMBLIES OR PRODUCTS DESCRIBED HEREIN
WITHOUT EXPRESS WRITTEN PERMISSION.

MYSTERY
PAGE 1 OF 2
06/2008

DIMENSIONAL
TABLE

MYSTERY DIMENSIONAL TABLE							
(In Inches)							
MODEL	BASE SIZE	TYPE	OVERALL LENGTH (O.A.L.)		DIA.	WIDTH (W.)	WEIGHT (LBS.)
			MAX (S.S.)	MIN (FOG)			
J	2.50	NOZZLE	8.38	7.33	4.31	9.56	8.5
JN	2.50	NOZZLE	9.12	7.88	5.00	8.38	9.3
CJK	3.50	NOZZLE	9.44	8.56	7.38	10.63	22.3