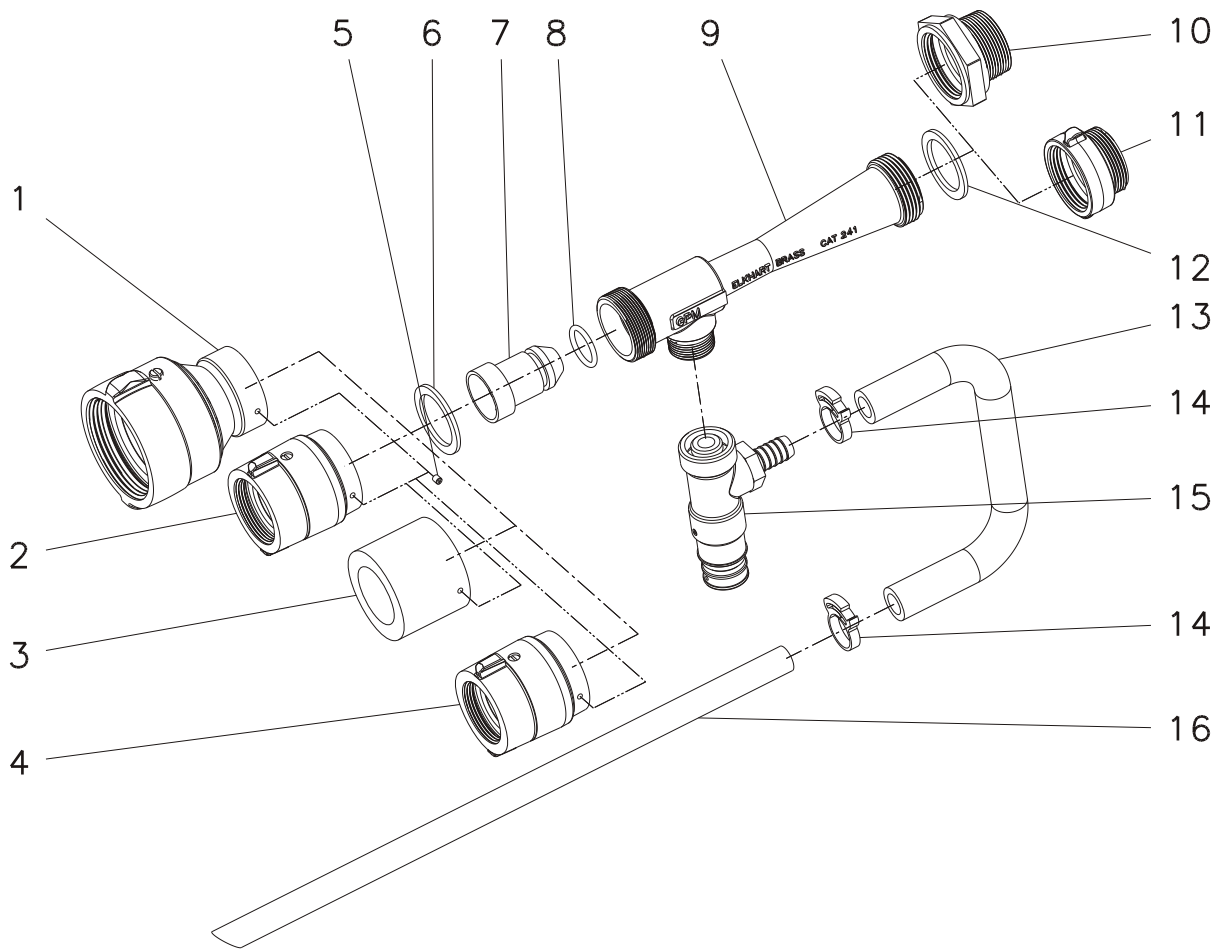


INDEX #	PART #	QTY	DESCRIPTION
1	99172002	Per Order	Inlet (2.5 NHT Fem)
2	99170002	Per Order	Inlet (1.5 NHT Fem)
3	10490001	Per Order	Adapter (1.5 NPT Fem)
4	99170102	Per Order	Inlet (1.5 NPSH Fem)
5	63685000	1	Soc. Set Screw
6	33074000	1	Gasket
7	39022001	1	Insert
8	57344000	1	O-Ring
9	17074001	1	Eductor Body
10	11065001	Per Order	Outlet (1.5 NHT Fem x 1.5 NPT Ma)
11	10946102	Per Order	Outlet (1.5 NHT Fem x 1.5 NPSH Ma)
12	33074000	Per Order	Gasket
13	36620001	3 Ft	Vinyl Hose
14	23561000	2	Hose Clamp
15	80751001	1	Metering Body Sub Assy
16	66635001	1	Pick-Up Tube

**03972201**  
 241-60 Inline  
 Eductor  
 Feb., 2008

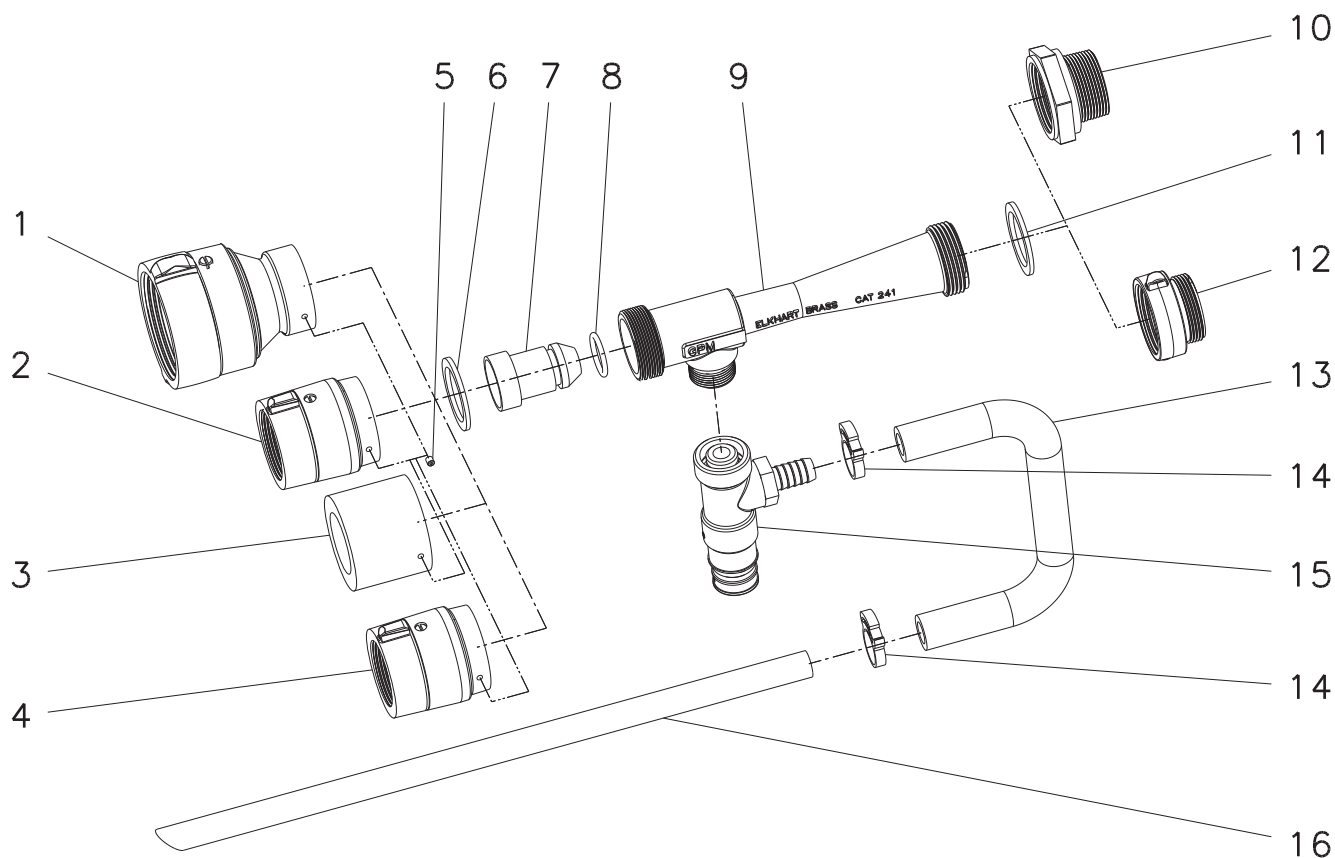


INDEX #	PART #	QTY	DESCRIPTION
1	99172002	Per Order	Inlet (2.5 NHT Fem)
2	99170002	Per Order	Inlet (1.5 NHT Fem)
3	10490001	Per Order	Adapter (1.5 NPT Fem)
4	99170102	Per Order	Inlet (1.5 NPSH Fem)
5	63685000	1	Soc. Set Screw
6	33074000	1	Gasket
7	39027001	1	Insert
8	57344000	1	O-Ring
9	17075001	1	Educator Body
10	11065001	Per Order	Outlet (1.5 NHT Fem x 1.5 NPT Ma)
11	10946102	Per Order	Outlet (1.5 NHT Fem x 1.5 NPSH Ma)
12	33074000	Per Order	Gasket
13	36620001	3 Ft	Vinyl Hose
14	23561000	2	Hose Clamp
15	80752001	1	Metering Body Sub Assy
16	66635001	1	Pick-Up Tube

**03972001**

241-95 InLine  
Educator

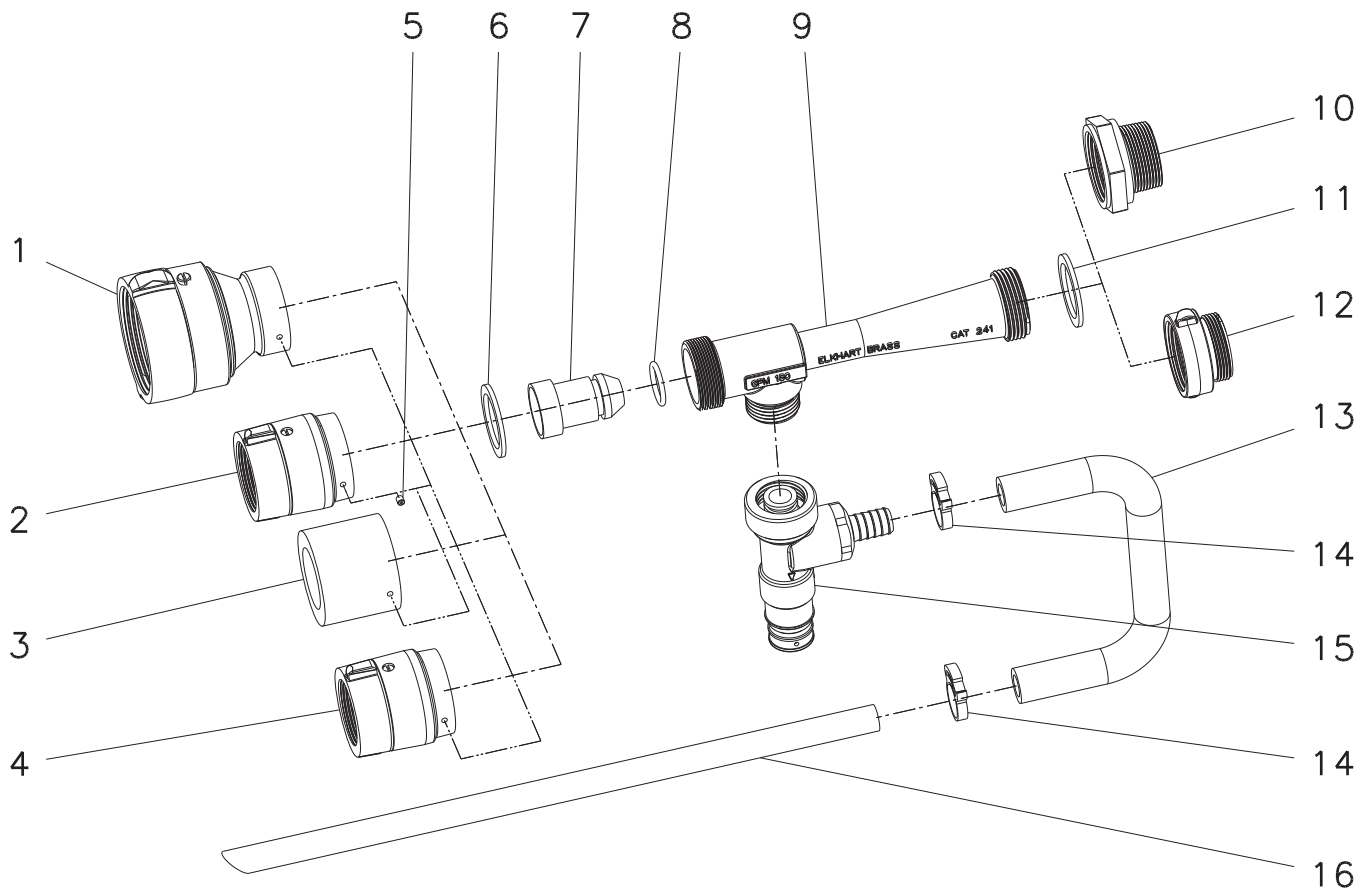
Feb., 2008



INDEX #	PART #	QTY	DESCRIPTION
1	99172002	Per Order	Inlet (2.5 NHT Fem)
2	99170002	Per Order	Inlet (1.5 NHT Fem)
3	10490001	Per Order	Adapter (1.5 NPT Fem)
4	99170102	Per Order	Inlet (1.5 NPSH Fem)
5	63685000	1	Soc. Set Screw
6	33074000	1	Gasket
7	39024001	1	Insert
8	57344000	1	O-Ring
9	17076001	1	Eductor Body
10	11065001	Per Order	Outlet (1.5 NHT Fem x 1.5 NPT Ma)
11	33074000	Per Order	Gasket
12	10946102	Per Order	Outlet (1.5 NHT Fem x 1.5 NPSH Ma)
13	36620001	1	Vinyl Hose - 3 Ft
14	23561000	2	Hose Clamp
15	80753001	1	Metering Body Sub Assy
16	66635001	1	Pick-Up Tube

**03972301**  
 241-125 InLine  
 Eductor

Feb., 2008



INDEX #	PART #	QTY	DESCRIPTION
1	99172002	Per Order	Inlet (2.5 NHT Fem)
2	99170002	Per Order	Inlet (1.5 NHT Fem)
3	10490001	Per Order	Adapter (1.5 NPT Fem)
4	99170102	Per Order	Inlet (1.5 NPSH Fem)
5	63685000	1	Soc. Set Screw
6	33074000	1	Gasket
7	39155001	1	Insert
8	57344000	1	O-Ring
9	17088001	1	Eductor Body
10	11065001	Per Order	Outlet (1.5 NHT Fem x 1.5 NPT Ma)
11	33074000	Per Order	Gasket
12	10946102	Per Order	Outlet (1.5 NHT Fem x 1.5 NPSH Ma)
13	36620001	1	Vinyl Hose
14	23561000	2	Hose Clamp - 3 Ft
15	81244005	1	Metering Body Sub Assy
16	66635001	1	Pick-Up Tube

**03972401**

241-150 InLine Eductor

Feb., 2008