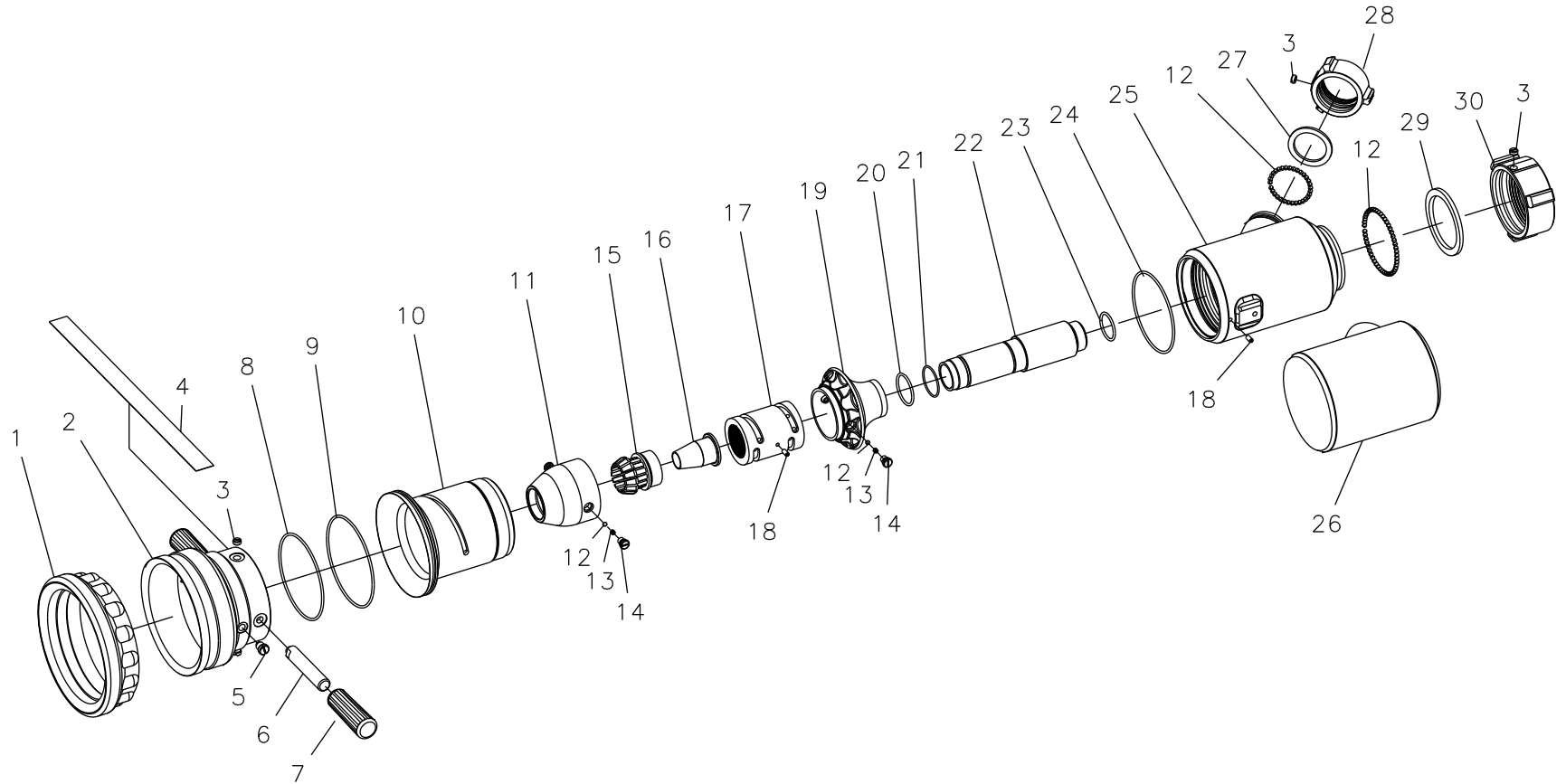




**MANUAL
(HC-750-FLX)**



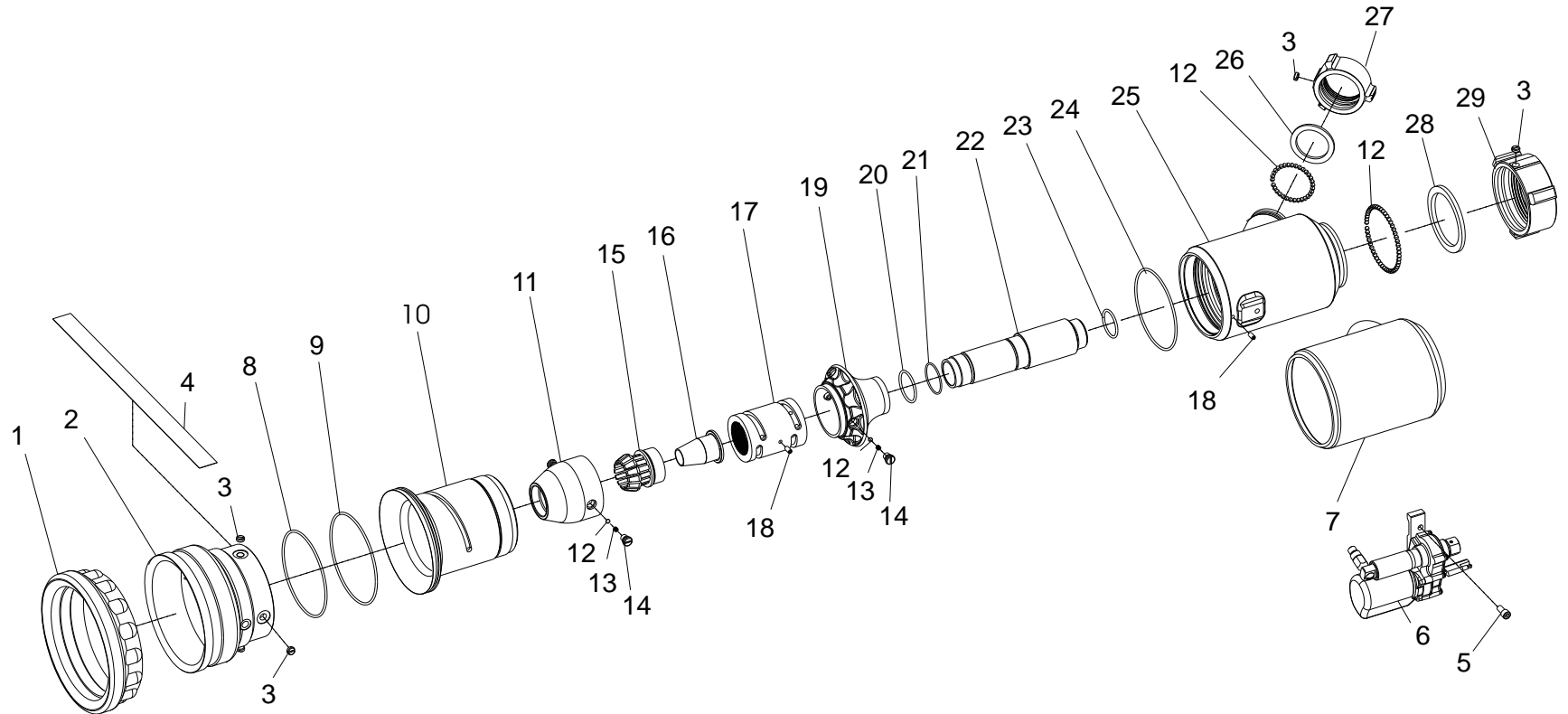
 ELKHART BRASS MFG. CO., INC. ELKHART, INDIANA	
<small>THIS DRAWING CONTAINS INFORMATION THAT IS PROPRIETARY TO ELKHART BRASS MFG. CO., INC. AND MAY NOT BE USED TO PRODUCE ANY PARTS, ASSEMBLIES OR PRODUCTS DESCRIBED HEREIN WITHOUT EXPRESS WRITTEN PERMISSION.</small>	
HYDRO-CHEM FLEX PAGE 1 OF 2 03/2010	PART DRAWING


**MANUAL
(HC-750-FLX)**

INDEX #	PART #	QTY	DESCRIPTION
1	33665000	1	Bumper - Yellow
2	66434007	1	Tip - Nozzle
3	63674000	4	Slotted Set Screw (Nylon)
4	44628500	1	Label - Identification
5	65078001	1	Drive Screw
6	36020001	2	Handle
7	33626000	2	Handgrip (Yellow)
8	57503000	1	O-Ring
9	57447000	1	O-Ring
10	17163007	1	Body - Nozzle Tip
11	66433007	1	Tip - Nozzle Dry Chem
12	15018000	89	Ball - .187 S/S
13	65706000	4	Spring - Coil
14	65067001	4	Screw - Detent
15	18118000	1	Adjustable Center Barrel
16	18462000	1	Compressible Bore
17	63910007	1	Sleeve - Adjusting
18	63691000	2	Screw - Set SS
19	69077007	1	Stem - Nozzle
20	57394000	1	O-Ring
21	57521000	1	O-Ring
22	67199001	1	Tube - Stem
23	57335000	1	O-Ring
24	57436000	1	O-Ring
25	17197007	1	Body - Nozzle
26	33855000	1	Guard - Body (Black)
27	33074000	1	Gasket - Rubber (1.5")
28	63068007	1	Base - Swivel (1.5" NHT Swivel)
29	33083000	1	Gasket - Rubber (2.5")
30	63069007	1	Base - Swivel (2.5" NHT Free Swivel)

	ELKHART BRASS MFG. CO., INC. ELKHART, INDIANA
THIS DRAWING CONTAINS INFORMATION THAT IS PROPRIETARY TO ELKHART BRASS MFG. CO., INC. AND MAY NOT BE USED TO PRODUCE ANY PARTS, ASSEMBLIES OR PRODUCTS DESCRIBED HEREIN WITHOUT EXPRESS WRITTEN PERMISSION.	
HYDRO-CHEM FLEX PAGE 2 OF 2 03/2010	PART LIST

**ELECTRIC
(HC-750E-FLX)**



 ELKHART BRASS MFG. CO., INC.
ELKHART, INDIANA


THIS DRAWING CONTAINS INFORMATION THAT IS PROPRIETARY TO ELKHART BRASS MFG. CO., INC. AND MAY NOT BE USED TO PRODUCE ANY PARTS, ASSEMBLIES OR PRODUCTS DESCRIBED HEREIN WITHOUT EXPRESS WRITTEN PERMISSION.

HYDRO-CHEM FLEX
PAGE 1 OF 2
06/2010

PART
DRAWING

**ELECTRIC
(HC-750E-FLX)**

INDEX #	PART #	QTY	DESCRIPTION
1	33665000	1	Bumper - Yellow
2	66434007	1	Tip - Nozzle
3	63674000	4	Slotted Set Screw (Nylon)
4	44628500	1	Label - Identification
5	61040000	1	Screw - Socket Head
6	81627001	1 (OPT)	Electric 12V DC Actuator Ass'y
6	81628001	1 (OPT)	Electric 24V DC Actuator Ass'y
7	33855000	1	Guard - Body (Black)
8	57503000	1	O-Ring
9	57447000	1	O-Ring
10	17163007	1	Body - Nozzle Tip
11	66433007	1	Tip - Nozzle Dry Chem
12	15018000	89	Ball - .187 S/S
13	65706000	4	Spring - Coil
14	65067001	4	Screw - Detent
15	18118000	1	Adjustable Center Barrel
16	18462000	1	Compressible Bore
17	63910007	1	Sleeve - Adjusting
18	63691000	2	Screw - Set SS
19	69077007	1	Stem - Nozzle
20	57394000	1	O-Ring
21	57521000	1	O-Ring
22	67199001	1	Tube - Stem
23	57335000	1	O-Ring
24	57436000	1	O-Ring
25	17197007	1	Body - Nozzle
26	33074000	1	Gasket - Rubber (1.5")
27	63068007	1	Base - Swivel (1.5" NHT Swivel)
28	33083000	1	Gasket - Rubber (2.5")
29	63069007	1	Base - Swivel (2.5" NHT Free Swivel)

	ELKHART BRASS MFG. CO., INC. ELKHART, INDIANA
THIS DRAWING CONTAINS INFORMATION THAT IS PROPRIETARY TO ELKHART BRASS MFG. CO., INC. AND MAY NOT BE USED TO PRODUCE ANY PARTS, ASSEMBLIES OR PRODUCTS DESCRIBED HEREIN WITHOUT EXPRESS WRITTEN PERMISSION.	
HYDRO-CHEM FLEX PAGE 2 OF 2 06/2010	PART LIST