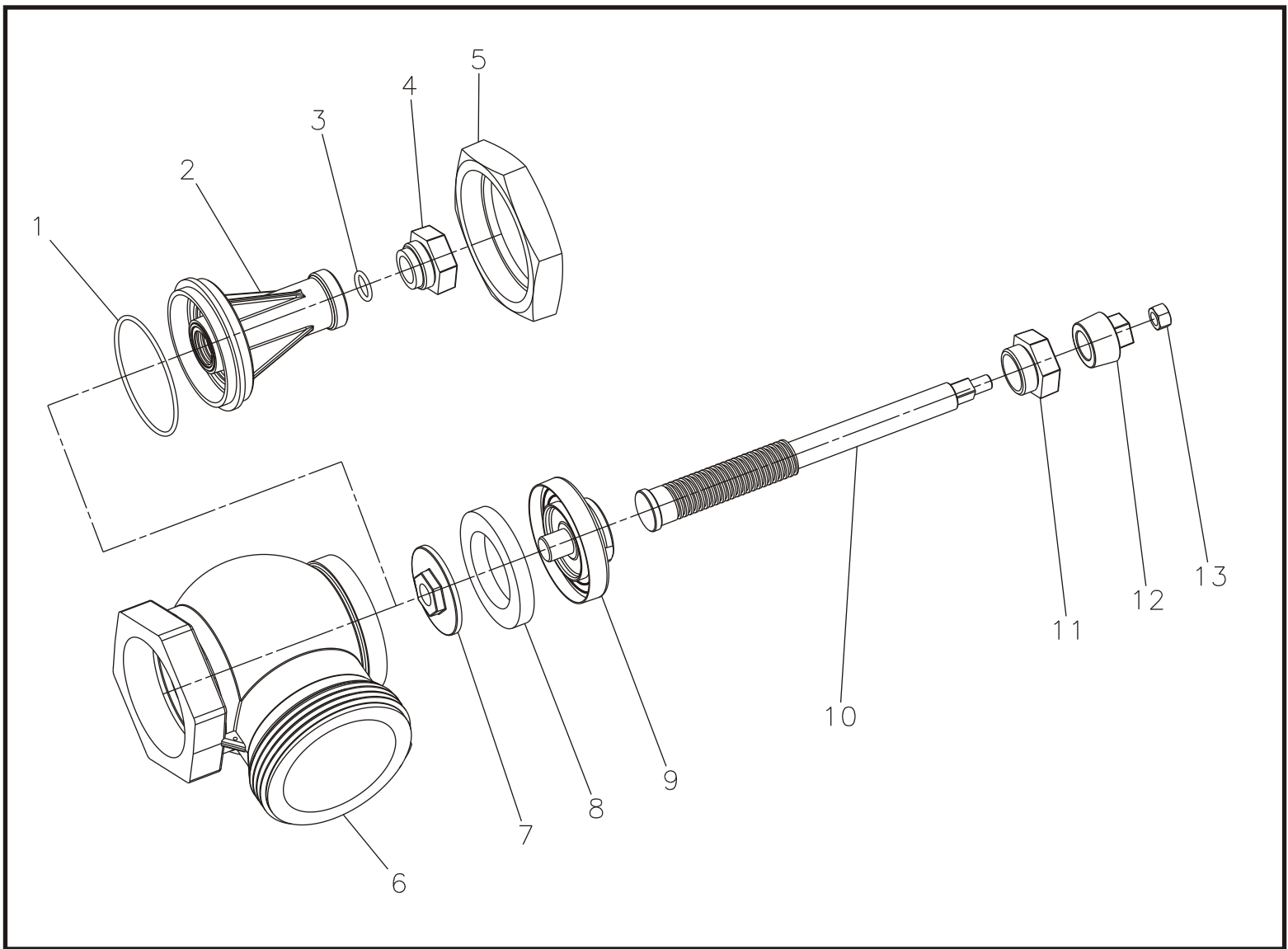


INDEX NO.	PART NO.	QTY.	DESCRIPTION
1	57402000	1	O-Ring
2	17540001	1	Bonnet
3	57411000	1	O-Ring
4	47580001	1	Packing Nut
5	47496001	1	Bonnet Nut
6	17761001	1	Body (3.000 NPT Fem X 2.500 NT Ma)
7	25205001	1	Disc Plate
8	25203001	1	Rubber Disc
9	25204001	1	Disc Holder
10	63970001	1	Valve Stem
11	47635001	1	Stem Nut
12	11922001	1	Pentagon Nut
13	47540100	1	Brass Nut (1/2-20)

00283001
HYDRANT ANGLE
VALVE
3.000 NPT FEM
X 2.500 NH MA

Cat # H-28 (3.0 X 2.5)

May, 2005



INDEX NO.	PART NO.	QTY.	DESCRIPTION
1	57402000	1	O-Ring
2	17540001	1	Bonnet
3	57411000	1	O-Ring
4	47580001	1	Packing Nut
5	47496001	1	Bonnet Nut
6	17762001	1	Body (4.000 NPT Fem X 4.500 NT Ma)
7	25205001	1	Disc Plate
8	25203001	1	Rubber Disc
9	25204001	1	Disc Holder
10	63970001	1	Valve Stem
11	47635001	1	Stem Nut
12	11922001	1	Pentagon Nut
13	47540100	1	Brass Nut (1/2-20)

00284001
HYDRANT ANGLE
VALVE
4.000 NPT FEM
X 4.500 NH MA

Cat # H-28 (4.0 X 4.5)

May, 2005