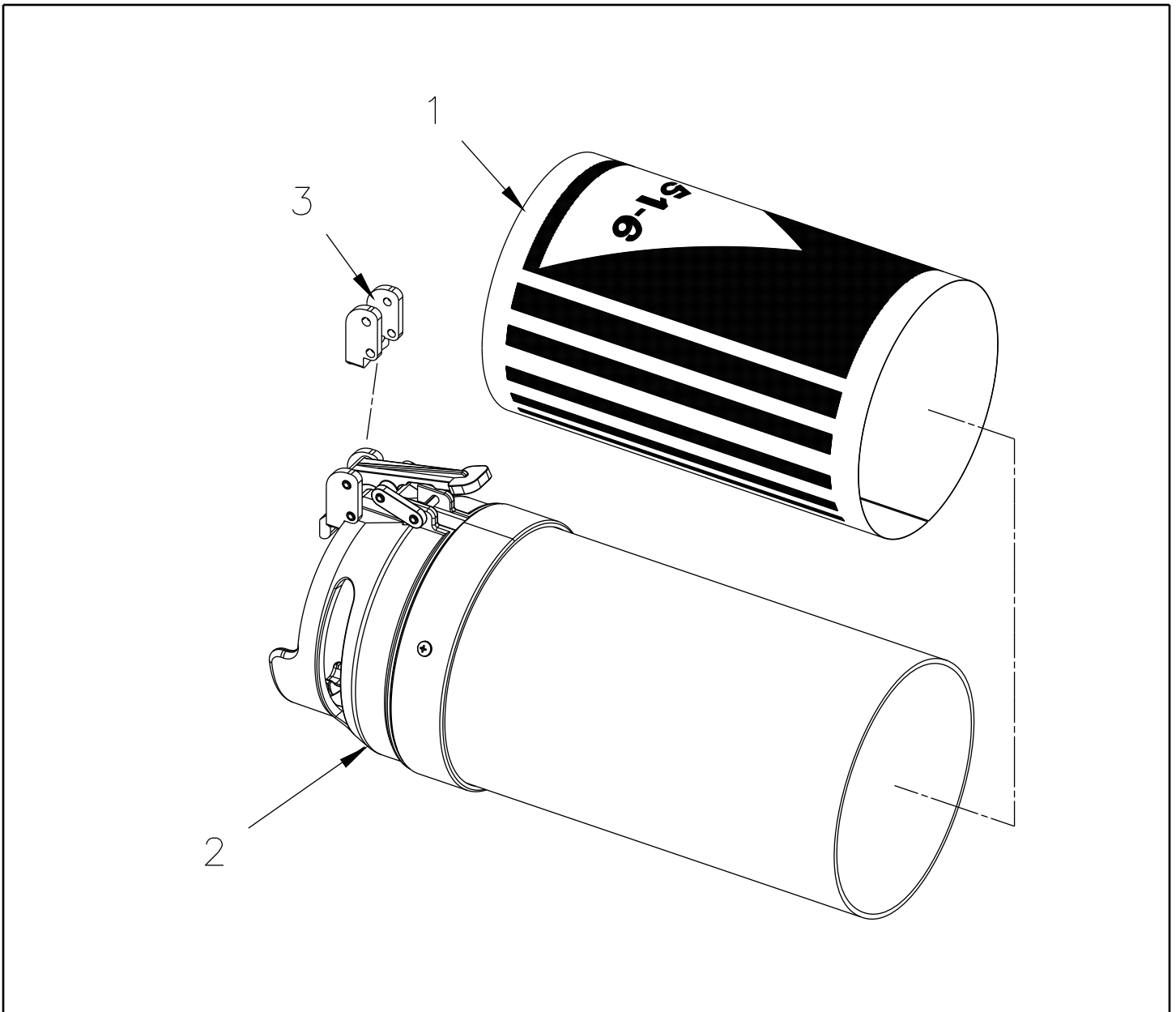


Cat. 251-6 (New Style)

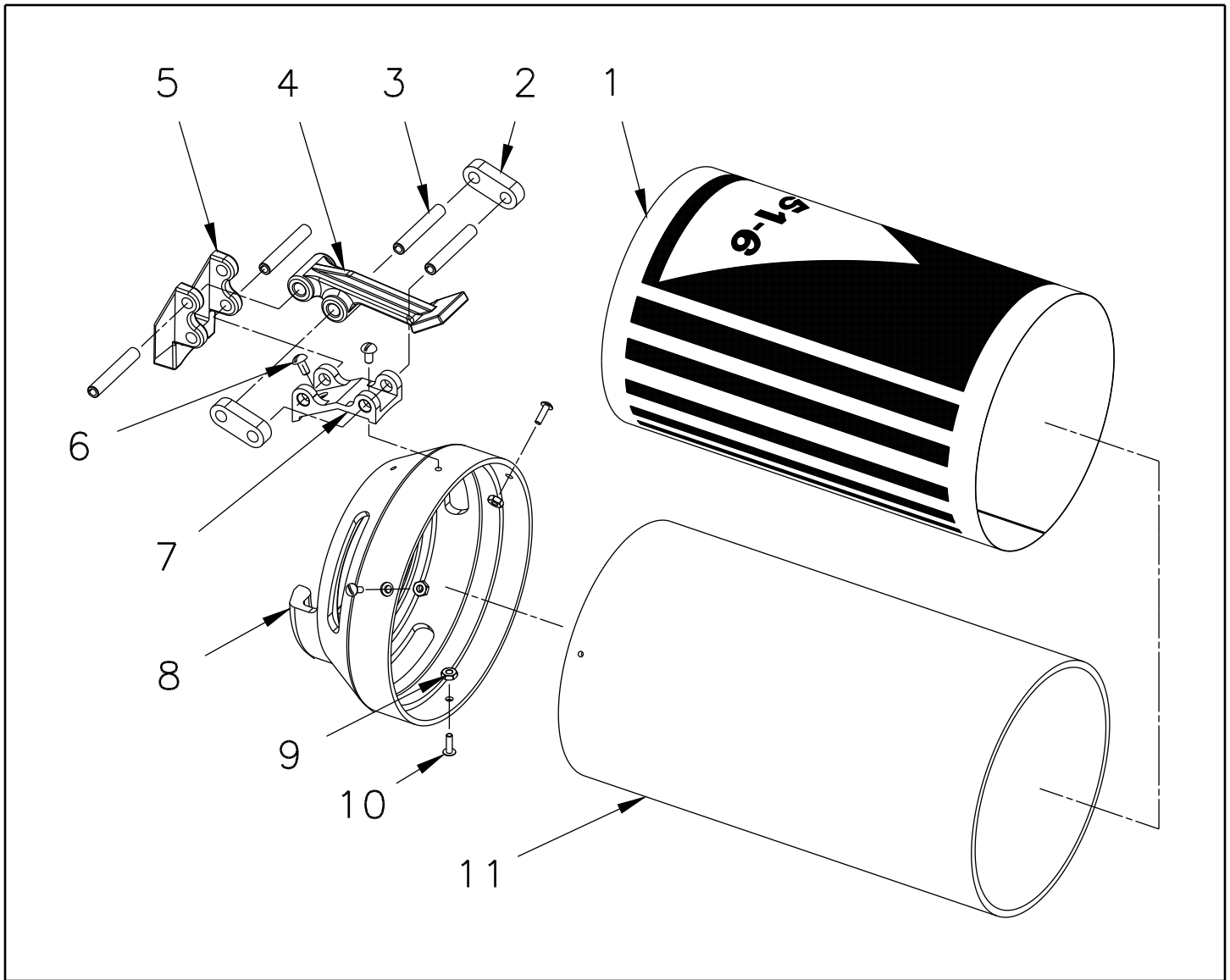
January, 2009



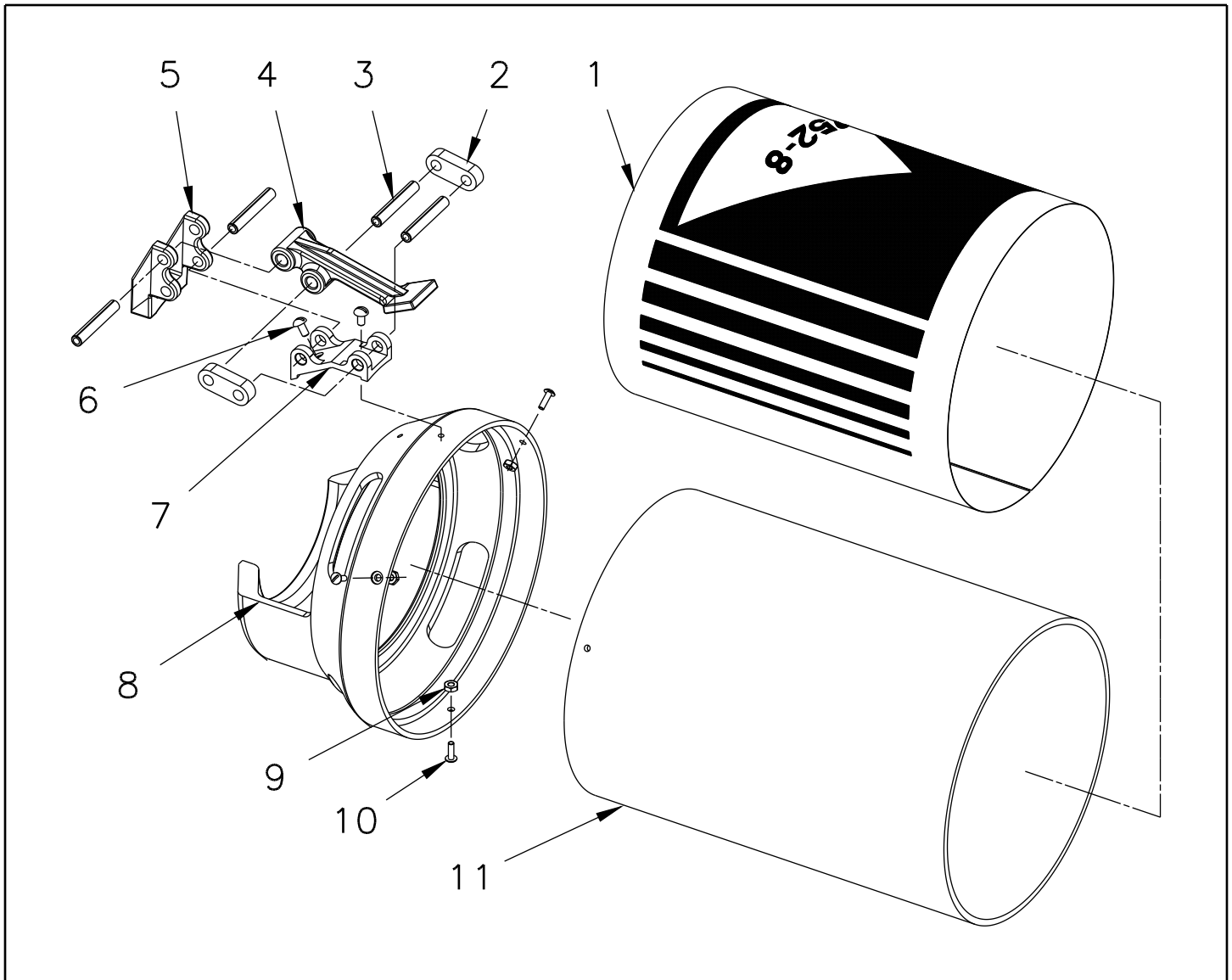
INDEX NO.	PART NO.	DESCRIPTION	QTY.
1	44527000	Label (251-6) Foam Aeration Tube	1
2	03996000	Foam Tube (Composite)	1
3	Optional	Clamp For CJ and CJ-RC Nozzle	1

Cat. 251-6 (Old Style)

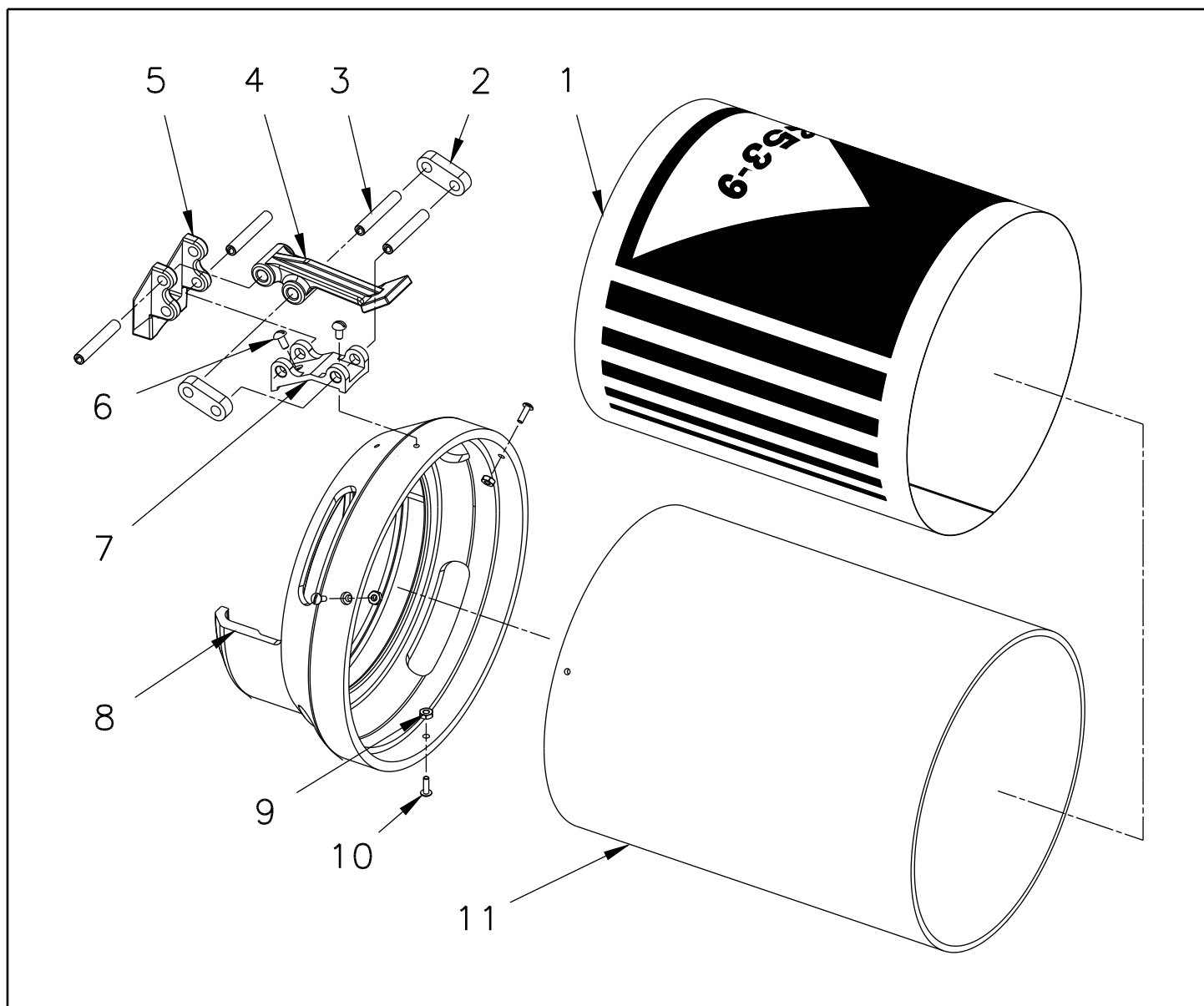
August, 2005



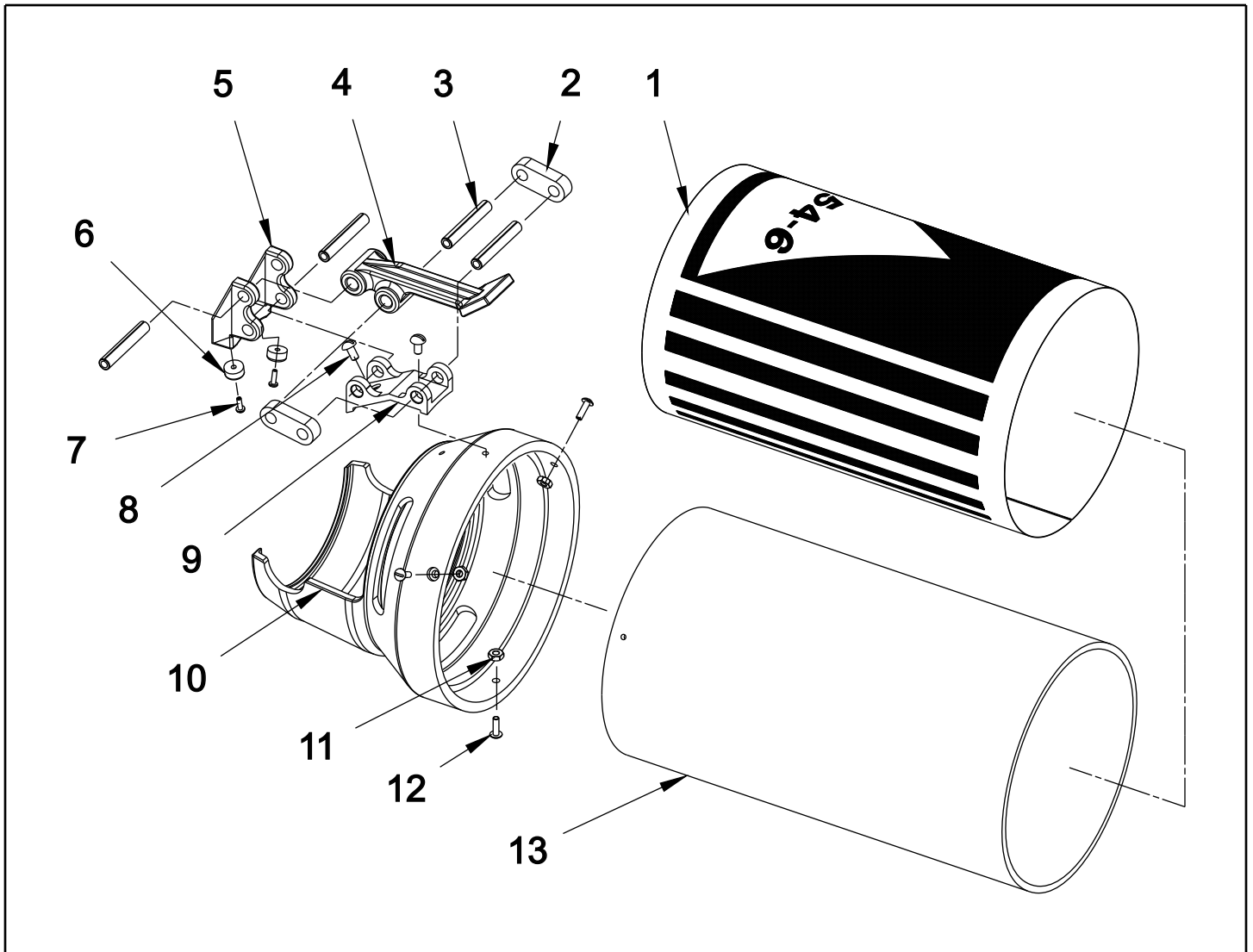
INDEX NO.	PART NO.	DESCRIPTION	QTY.
1	44527000	Label (251-6) Foam Aeration Tube	1
2	11466001	Connecting Arm	2
3	51261000	Roll Pin (0.312-dia. x 2.00-lg) SS	4
4	36018001	Handle (Lever)	1
5	23732001	Jaw Clamp	1
6	61132000	Machine Screw (#10-24x.375) SS	2
7	18355001	Bracket (Foam Tube)	1
8	17619001	Base (Foam Tube)	1
9	47465000	Hex Nut (#8-32) SS	3
10	65138000	Machine Screw (#8-32x.500) SS	3
11	66625001	Foam Tube (Composite)	1



INDEX NO.	PART NO.	DESCRIPTION	QTY.
1	44529000	Label (252-8) Foam Aeration Tube	1
2	11466001	Connecting Arm	2
3	51261000	Roll Pin (0.312-dia. x 2.00-lg) SS	4
4	36018001	Handle (Lever)	1
5	23732001	Jaw Clamp	1
6	61132000	Machine Screw (#10-24x.375) SS	2
7	18355001	Bracket (Foam Tube)	1
8	17620001	Base (Foam Tube)	1
9	47465000	Hex Nut (#8-32) SS	3
10	65138000	Machine Screw (#8-32x.500) SS	3
11	66626001	Foam Tube (Composite)	1



INDEX NO.	PART NO.	DESCRIPTION	QTY.
1	44551000	Label (253-9) Foam Aeration Tube	1
2	11466001	Connecting Arm	2
3	51261000	Roll Pin (0.312-dia. x 2.00-lg) SS	4
4	36018001	Handle (Lever)	1
5	23732001	Jaw Clamp	1
6	61132000	Machine Screw (#10-24x.375) SS	2
7	18355001	Bracket (Foam Tube)	1
8	17621001	Base (Foam Tube)	1
9	47465000	Hex Nut (#8-32) SS	3
10	65138000	Machine Screw (#8-32x.500) SS	3
11	66627001	Foam Tube (Composite)	1



INDEX NO.	PART NO.	DESCRIPTION	QTY.
1	44558000	Label (254-6) Foam Aeration Tube	1
2	11466001	Connecting Arm	2
3	51261000	Roll Pin (0.312-dia. x 2.00-lg) SS	4
4	36018001	Handle (Lever)	1
5	23733001	Jaw Clamp (w/ Tapped Hls.)	1
6	16593000	Rubber Bumper (0.625 dia.)	2
7	64073000	Machine Screw (#6-32 x.375) SS	2
6	61132000	Machine Screw (#10-24 x.375) SS	2
7	18355001	Bracket (Foam Tube)	1
8	17623001	Base (Foam Tube)	1
9	47465000	Hex Nut (#8-32) SS	3
10	65138000	Machine Screw (#8-32 x.500) SS	3
11	66625001	Foam Tube (Composite)	1