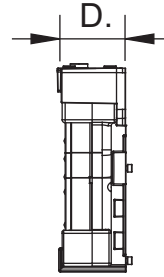
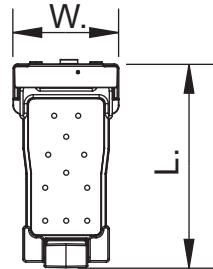
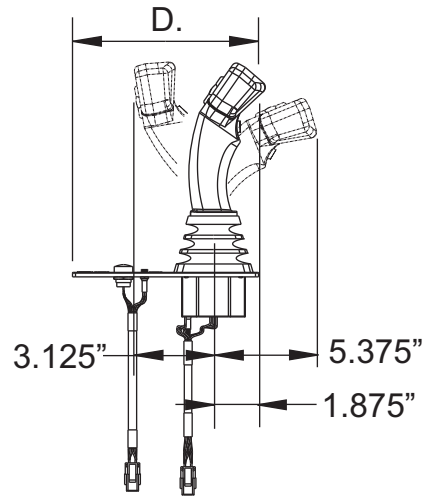
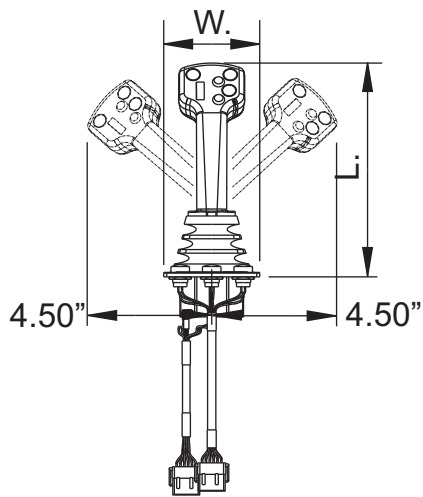


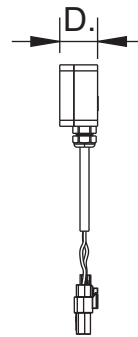
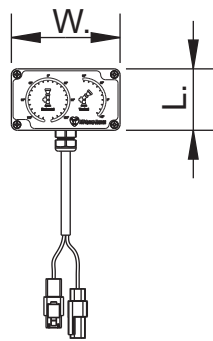
PANEL MOUNT
CONTROLLER
7010 (00007010)



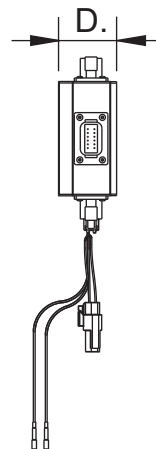
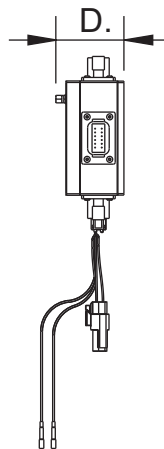
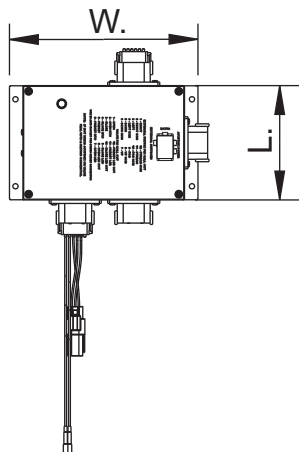
HANDHELD/DOCK
ASSEMBLY KIT
7015 (00007015)



JOYSTICK
7030 (00007030)



POSITION
FEEDBACK
MODULE
7050 (00007050)
OR
7051 (00007051)



INTERFACE
MODULE
7072 (00007072)
OR
7073 (00007073)

	ELKHART BRASS MFG. CO., INC. ELKHART, INDIANA	
	<small>THIS DRAWING CONTAINS INFORMATION THAT IS PROPRIETARY TO ELKHART BRASS MFG. CO., INC. AND MAY NOT BE USED TO PRODUCE ANY PARTS, ASSEMBLIES OR PRODUCTS DESCRIBED HEREIN WITHOUT EXPRESS WRITTEN PERMISSION.</small>	
EXM CONTROLS PAGE 1 OF 2 11/2017	DIMENSIONAL DRAWING	

EXM CONTROLS DIMENSIONAL TABLE			
(In Inches)			
MODEL	LENGTH	DEPTH	WIDTH
PANEL MOUNT CONTROLLER	7.54	1.25	3.84
HANDHELD DOCK ASS'Y KIT	8.49	2.71	4.41
JOYSTICK	8.91	7.75	4.00
POSITION FEEDBACK MODULE	2.56	1.58	4.53
INTERFACE MODULE 7072	7.85	2.84	4.76
INTERFACE MODULE 7073	7.85	3.14	4.81