
ELKHART BRASS MFG. CO., INC.
 ELKHART, INDIANA

THIS DRAWING CONTAINS INFORMATION THAT IS PROPRIETARY TO ELKHART BRASS MFG. CO., INC. AND MAY NOT BE USED TO PRODUCE ANY PARTS, ASSEMBLIES OR PRODUCTS DESCRIBED HEREIN WITHOUT EXPRESS WRITTEN PERMISSION.

COPPERHEAD RF 8593-01 PAGE 1 OF 2 07/2011	PART DRAWING
---	-----------------

COPPERHEAD RF 8593-01

INDEX #	PART #	QTY	DESCRIPTION
1	28443301	1	Discharge Elbow
2	23576000	2	Loop Clamp
3	64086000	1	Button Cap Screw
4	46050000	2	Magnet
5	15027000	194	.250 S/S Ball
6	57316000	1	O-Ring
7	57414000	1	O-Ring
8	51248000	2	Roll Pin
9	47652001	2	Override Nut (.750" Hex)
10	63674000	2	Set Screw
11	18256301	1	Monitor Body
12	81705000	1	Hall Effect Sensor
13	64073000	2	Button Cap Screw
14	57519000	1	O-Ring
15	59125000	2	Retaining Ring
16	31011000	2	Grease Fitting
17	61215100	4	Drive Screw
18	44705000	1	Label - Vulcan RF Serial Tag
19	63688000	2	Set Screw
20	57298000	2	O-Ring
21	81704001	1	Rotating Connector
22	61076000	1	Button Cap Screw
23	18007301	1 (Opt)	Base - 4" 150# Flange
24	18006301	1	Base - 3" 150# Flange
25	24144000	1	Connector
26	44408000	1	TPA 3 Way
27	81696001	1	Electric Motor W/ Encoder
28	64074000	4	Cap Screw
29	63947900	2	Worm Shaft
30	57380000	2	O-Ring
31	71516000	4	Thrust Washer
32	17702000	2	Thrust Bearing
33	81701001	1	Electric Motor (Slow; 65.5:1)
34	64072000	4	Cap Screw
35	71515000	2	Thrust Washer
36	17701000	1	Thrust Bearing
37	20985001	1	Shaft Coupling
38	65201000	1	Set Screw
39	65219000	1	Set Screw
40	51071000	1	Drive Pin
41	81416001	1	RF Receiver/Control Module Enclosure
42	65127000	2	Cap Screw
43	57298000	2	O-Ring

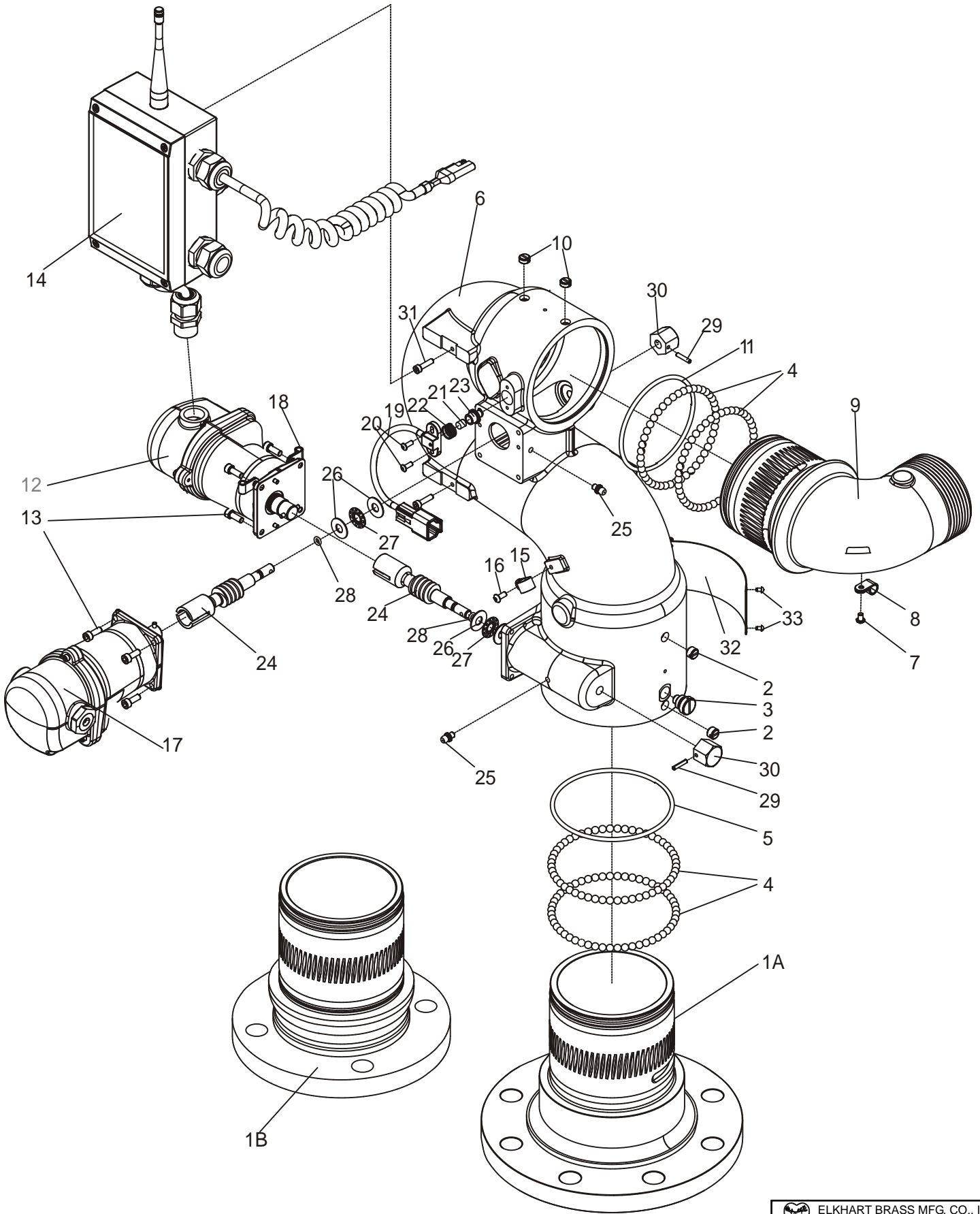



ELKHART BRASS MFG. CO., INC.
ELKHART, INDIANA

THIS DRAWING CONTAINS INFORMATION THAT IS
PROPRIETARY TO ELKHART BRASS MFG. CO., INC.
AND MAY NOT BE USED TO PRODUCE ANY PARTS,
ASSEMBLIES OR PRODUCTS DESCRIBED HEREIN
WITHOUT EXPRESS WRITTEN PERMISSION.

COPPERHEAD RF 8593-01
PAGE 2 OF 2
07/2011

PART
LIST




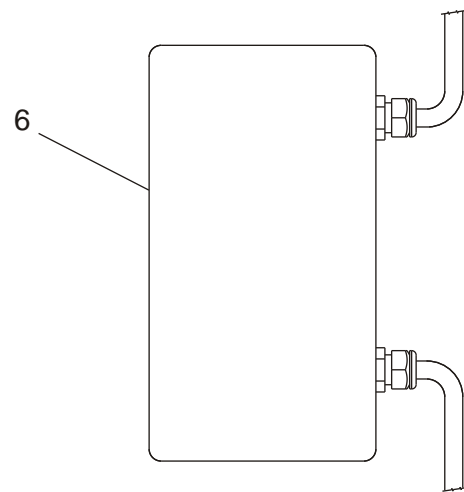
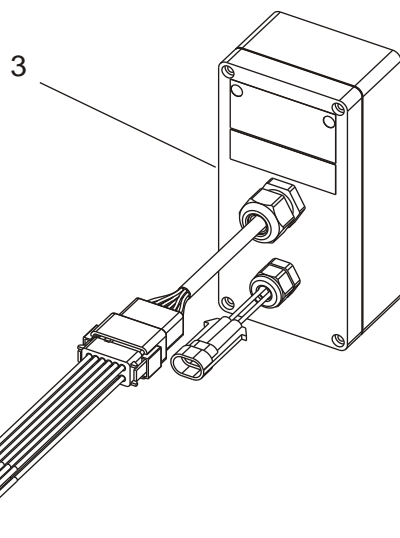
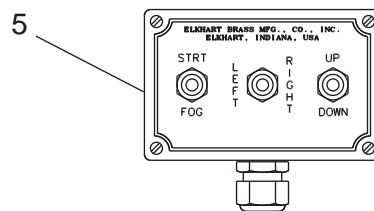
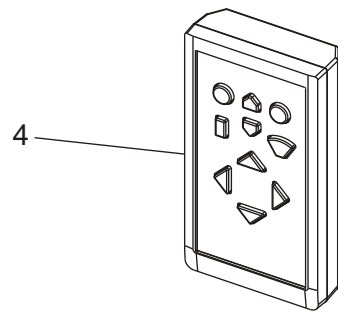
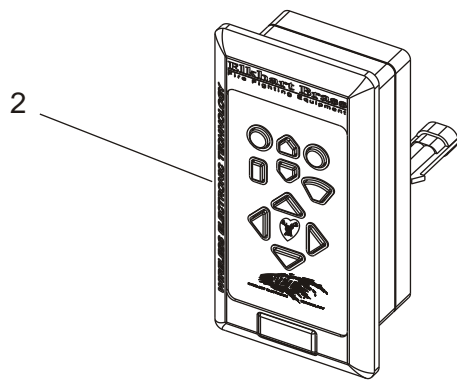
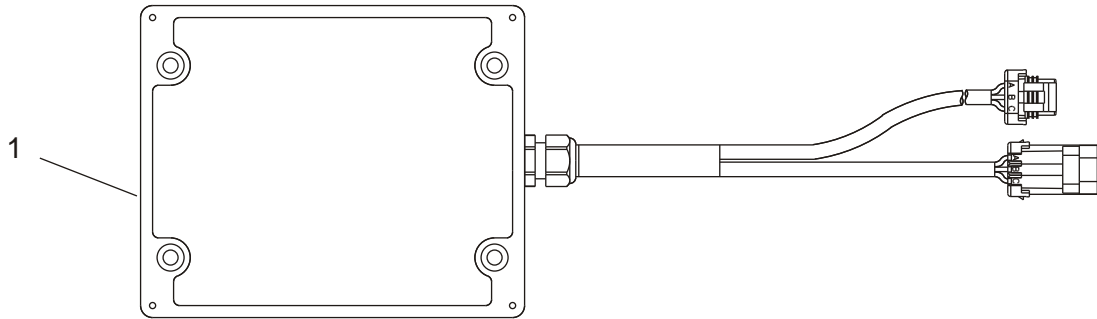

ELKHART BRASS MFG. CO., INC.
 ELKHART, INDIANA
 THIS DRAWING CONTAINS INFORMATION THAT IS
 PROPRIETARY TO ELKHART BRASS MFG. CO., INC.
 AND MAY NOT BE USED TO PRODUCE ANY PARTS,
 ASSEMBLIES OR PRODUCTS DESCRIBED HEREIN
 WITHOUT EXPRESS WRITTEN PERMISSION.
 COPPERHEAD 8593-01 EXT
 PAGE 1 OF 2
 09/2011

PART
DRAWING

COPPERHEAD 8593-01 EXT

INDEX #	PART #	QTY	DESCRIPTION
1A	18005301	1	Base - 4" 150# Flange
1B	18004301	1	Base - 3" 150# Flange
2	63688000	2	Set Screw
3	65073001	1	Screw - Drive Cam
4	15027000	194	.250 S/S Ball
5	57316000	1	O-Ring
6	18255301	1	Inlet Body
7	64086000	1	Button Cap Screw
8	23571000	1	Loop Clamp
9	28442301	1	Discharge Elbow
10	63674000	2	Set Screw
11	57312000	1	O-Ring
12	81696001	1	Electric Motor W/ Encoder (Horz)
13	64074000	8	Cap Screw
14	81712001	1	Receiver Assembly
15	23580000	1	Loop Clamp
16	61076000	1	Button Cap Screw
17	81697001	1	Electric Motor W/ Encoder (Vert)
18	23571000	2	Loop Clamp
19	65104000	1	Sensor
20	64073000	2	Button Cap Screw
21	46050000	1	Magnet
22	62150000	1	Spring
23	64057001	1	Safety Interlock Shaft
24	63947900	2	Worm Shaft
25	31011000	2	Grease Fitting
26	71516000	4	Thrust Washer
27	17702000	2	Thrust Bearing
28	57380000	2	O-Ring
29	51248000	2	Roll Pin
30	47652001	2	Override Nut (.750" Hex)
31	65127000	2	Cap Screw
32	44715000	1	Label - Copperhead EXT Serial Tag
33	61215100	4	Drive Screw

 ELKHART BRASS MFG. CO., INC. ELKHART, INDIANA	
<small>THIS DRAWING CONTAINS INFORMATION THAT IS PROPRIETARY TO ELKHART BRASS MFG. CO., INC. AND MAY NOT BE USED TO PRODUCE ANY PARTS, ASSEMBLIES OR PRODUCTS DESCRIBED HEREIN WITHOUT EXPRESS WRITTEN PERMISSION.</small>	
<small>COPPERHEAD 8593-01 EXT PAGE 2 OF 2 12/2012</small>	<small>PART LIST</small>



 ELKHART BRASS MFG. CO., INC.
ELKHART, INDIANA

THIS DRAWING CONTAINS INFORMATION THAT IS PROPRIETARY TO ELKHART BRASS MFG. CO., INC. AND MAY NOT BE USED TO PRODUCE ANY PARTS, ASSEMBLIES OR PRODUCTS DESCRIBED HEREIN WITHOUT EXPRESS WRITTEN PERMISSION.

COPPERHEAD RF
PAGE 1 OF 2
09/2011

CONTROLS
PART
DRAWING

**COPPERHEAD RF 8593-01, 8593-01EXT
CONTROLS**

INDEX #	PART #	DESCRIPTION
1	81492001	Auxiliary Battery Pack
2	81327101	Panel Mount Aerial Transmitter (Antenna not shown)
2	81327201	Secondary Panel Mount Transmitter
3	81353101	OEM Aerial Transmitter (Antenna not shown)
3	81353201	Secondary OEM Transmitter
4	81282001	Hand held Transmitter
5	81549001	Switch Box
6	81545001	Power Module



ELKHART BRASS MFG. CO., INC.
ELKHART, INDIANA

THIS DRAWING CONTAINS INFORMATION THAT IS
PROPRIETARY TO ELKHART BRASS MFG. CO., INC.
AND MAY NOT BE USED TO PRODUCE ANY PARTS,
ASSEMBLIES OR PRODUCTS DESCRIBED HEREIN
WITHOUT EXPRESS WRITTEN PERMISSION.

COPPERHEAD RF
PAGE 2 OF 2
12/2011

CONTROLS
PART
LIST