
ELKHART BRASS MFG. CO., INC.
 ELKHART, INDIANA
 THIS DRAWING CONTAINS INFORMATION THAT IS
 PROPRIETARY TO ELKHART BRASS MFG. CO., INC.
 AND MAY NOT BE USED TO PRODUCE ANY PARTS,
 ASSEMBLIES OR PRODUCTS DESCRIBED HEREIN
 WITHOUT EXPRESS WRITTEN PERMISSION.
 COPPERHEAD 8583-IV
 PAGE 1 OF 4
 09/2010

PART
DRAWING

**8593-IV
(LEVER)**

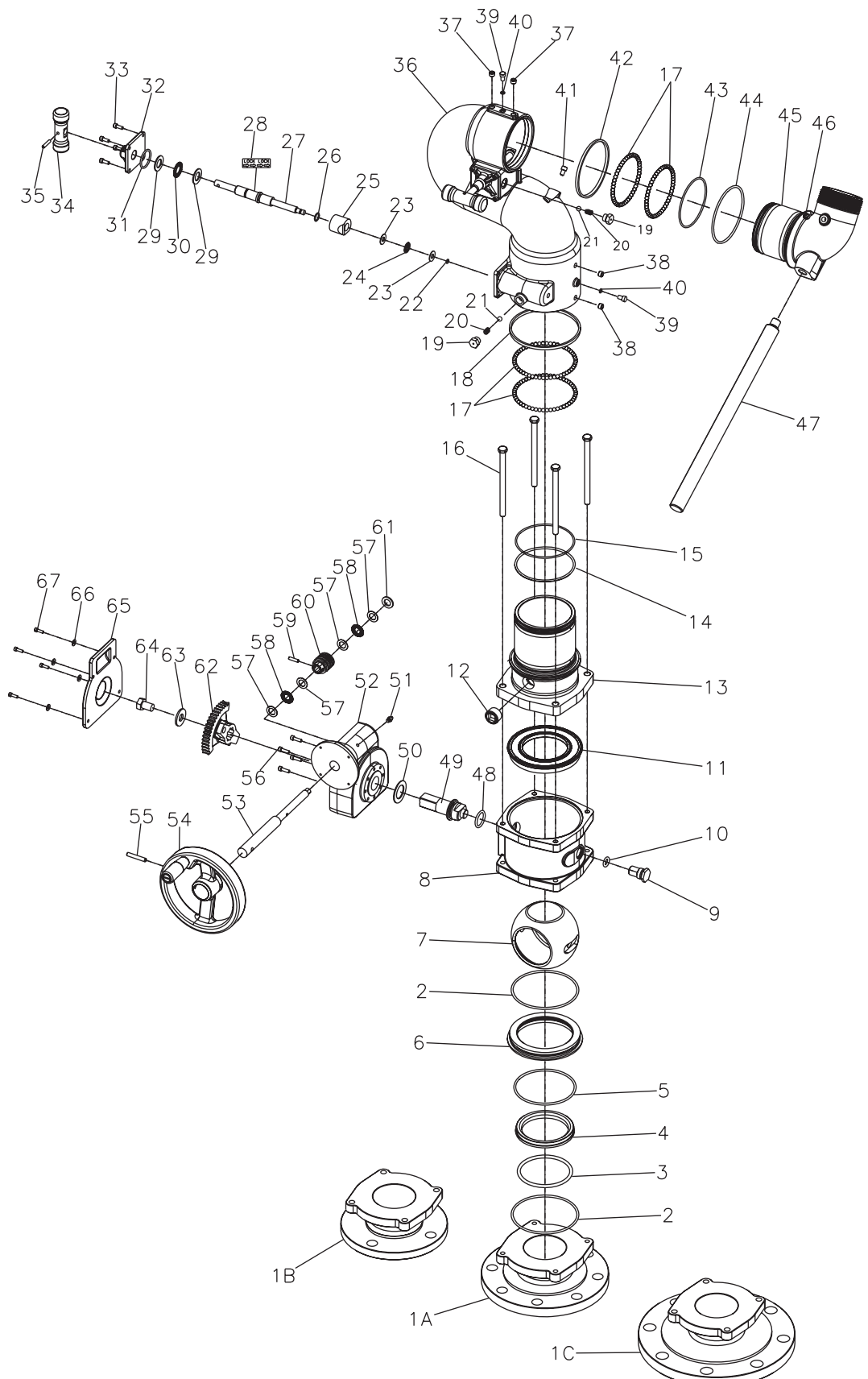
INDEX #	PART #	QTY	DESCRIPTION	INDEX #	PART #	QTY	DESCRIPTION
1A	17983001	1	Base - 4" 150# Flange	34	36726001	2	Handle Tee
1B	17985001	1 (Opt)	Base - 3" 150# Flange	35	51235000	2	Roll Pin
1C	17986001	1 (Opt)	Base - 6" 150# Flange	36	18230001	1	Body-Inlet Monitor
2	57442000	2	O-Ring	37	61221000	2	Screw-Set
3	57555000	1	O-Ring	38	61248000	2	Screw-Set
4	65020000	1	8593 Seat	39	64119000	2	Cap Screw
5	57378000	1	O-Ring	40	57380000	2	O-Ring
6	58912001	1	8593 Retainer	41	65141000	1	Cap Screw
7	17331000	1	Ball	42	57312000	1	O-Ring
8	17766101	1	Body-Valve	43	57506000	1	O-Ring
9	18473001	1	Bolt Pivot	44	65488000	1	Seal-Discharge Elbow
10	57530000	1	O-Ring	45	28142001	1	Discharge Elbow
11	65015000	1	Seat	46	51891000	1	Plug Pipe
12	51881000	1	Plug Pipe	47	36750001	1	Handle-Monitor
13	17984001	1	Base-Adapter	48	57344000	1	O-Ring
14	65487000	1	Seal-Monitor Base	49	65346001	1	Shaft-Actuator
15	57503000	1	O-Ring	50	17608000	1	Washer-Actuator
16	16378000	4	Bolt-Hex Cap Screw	51	57290000	1	O-Ring
17	15005000	194	Balls - 0.250 Brass	52	11852001	1	Adapter-Valve
18	57316000	1	O-Ring	53	64110000	4	Cap Screw
19	52634000	2	Pressure Cap	54	17878000	1	Bushing
20	65707000	2	Spring-Compression	55	61801000	1	Wave Spring
21	15014000	2	Balls - 0.312 Brass	56	17708000	1	Bearing Break
22	57380000	2	O-Ring	57	51819000	1	Stop Plate
23	71516000	4	Washer-Thrust (5/16)	58	36757002	1	Handle Valve Bent
24	17702000	2	Bearing-Thrust (5/16)	59	23663001	1	Handle Cover
25	44411001	2	Lock Wedge	60	71615000	1	Label Washer
26	57321000	2	O-Ring	61	17864000	1	Hex Bolt Screw
27	65454001	2	Shaft-Lock	62	44256000	1	Label-Open (CCW)
28	44584000	2	Label-Lock	63	44257000	1	Label-Open (CW)
29	71513000	4	Washer-Thrust (5/8)	Not Shown	61215100	4	Screw S/S
30	15699000	2	Bearing-Thrust (5/8)	Not Shown	44601000	1	Label-ID
31	57389000	2	O-Ring				
32	10466001	2	Adapter-Flange				
33	64074000	8	Screw-Machine				


 ELKHART BRASS MFG. CO., INC.
ELKHART, INDIANA

THIS DRAWING CONTAINS INFORMATION THAT IS
PROPRIETARY TO ELKHART BRASS MFG. CO., INC.
AND MAY NOT BE USED TO PRODUCE ANY PARTS,
ASSEMBLIES OR PRODUCTS DESCRIBED HEREIN
WITHOUT EXPRESS WRITTEN PERMISSION.

COPPERHEAD 8593-IV
PAGE 2 OF 4
09/2010

PART
LIST




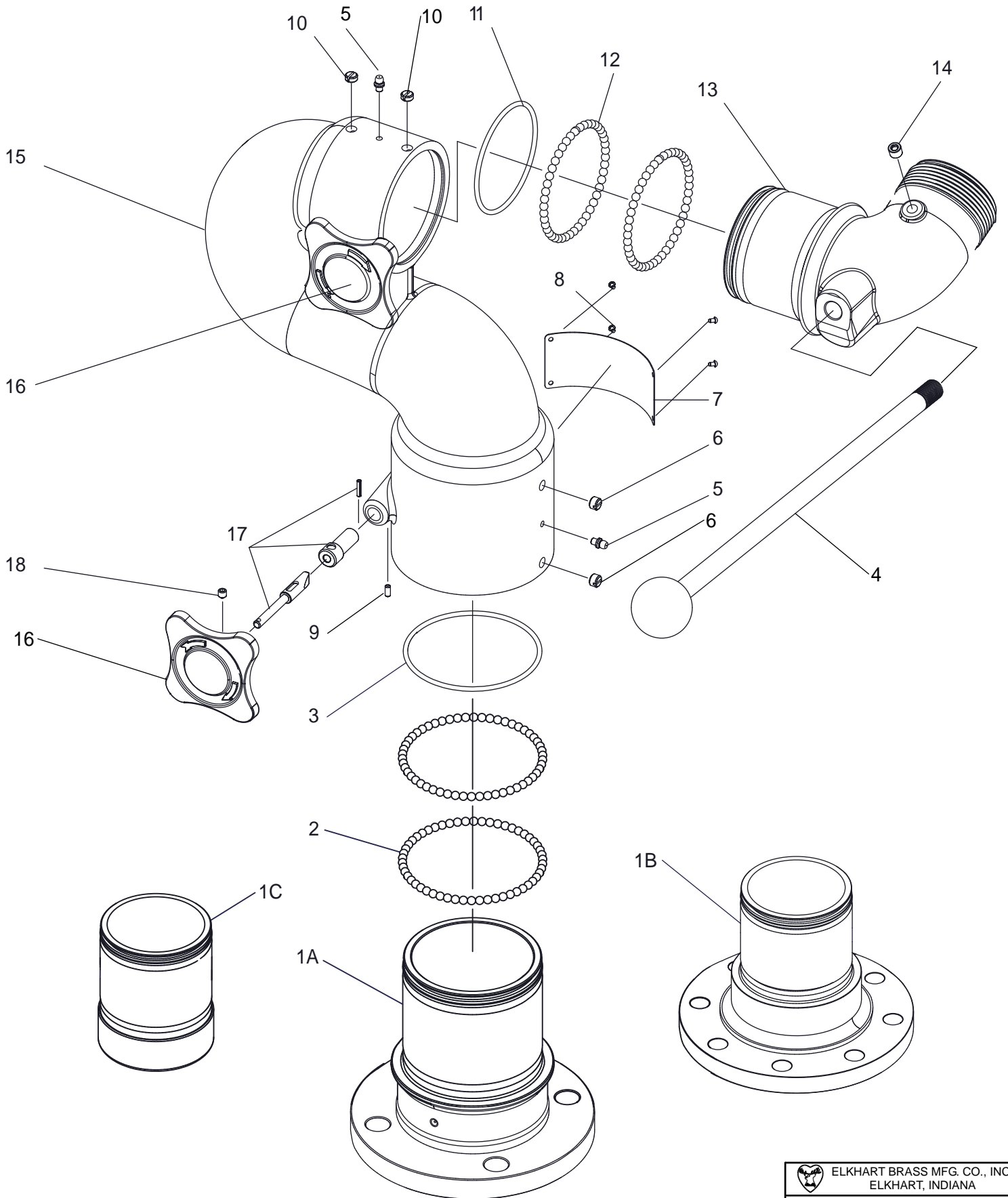

ELKHART BRASS MFG. CO., INC.
 ELKHART, INDIANA
 THIS DRAWING CONTAINS INFORMATION THAT IS
 PROPRIETARY TO ELKHART BRASS MFG. CO., INC.
 AND MAY NOT BE USED TO PRODUCE ANY PARTS,
 ASSEMBLIES OR PRODUCTS DESCRIBED HEREIN
 WITHOUT EXPRESS WRITTEN PERMISSION.
 COPPERHEAD 8593-IV
 PAGE 3 OF 4
 09/2010

PART
DRAWING

**8593-IV
(GEAR)**

INDEX #	PART #	QTY	DESCRIPTION	INDEX #	PART #	QTY	DESCRIPTION
1A	17983001	1	Base - 4" 150# Flange	37	61221000	2	Screw-Set
1B	17985001	1 (Opt)	Base - 3" 150# Flange	38	61248000	2	Screw-Set
1C	17986001	1 (Opt)	Base - 6" 150# Flange	39	64119000	2	Cap Screw
2	57442000	2	O-Ring	40	57380000	2	O-Ring
3	57555000	1	O-Ring	41	65141000	1	Cap Screw
4	65020000	1	8593 Seat	42	57312000	1	O-Ring
5	57378000	1	O-Ring	43	57506000	1	O-Ring
6	58912001	1	8593 Retainer	44	65488000	1	Seal-Discharge Elbow
7	17331000	1	Ball	45	28142001	1	Discharge Elbow
8	17766101	1	Body-Valve	46	51891000	1	Plug Pipe
9	18473001	1	Bolt Pivot	47	36750001	1	Handle-Monitor
10	57530000	1	O-Ring	48	57344000	1	O-Ring
11	65015000	1	Seat	49	65347001	1	Actuator-Shaft
12	51881000	1	Plug Pipe	50	17608000	1	Washer-Actuator
13	17984001	1	Base-Adapter	51	32134000	1	Fitting Grease
14	65487000	1	Seal-Monitor Base	52	23593001	1	Gear Case
15	57503000	1	O-Ring	53	65375001	1	Actuator Shaft-Gear
16	16378000	4	Bolt-Hex Cap Screw	54	81018001	1	Handwheel Assy
17	15005000	194	Balls - 0.250 Brass	55	51240000	1	Roll Pin
18	57316000	1	O-Ring	56	63789000	4	Cap Screw
19	52634000	2	Pressure Cap	57	71522000	4	Washer-Thrust
20	65707000	2	Spring-Compression	58	15698000	2	Bearing-Thrust (1/2)
21	15014000	2	Balls - 0.312 Brass	59	51224000	1	Roll Pin
22	57380000	2	O-Ring	60	71249001	1	Worm Gear
23	71516000	4	Washer-Thrust (5/16)	61	71521000	1	Thrust Washer-Brass
24	17702000	2	Bearing-Thrust (5/16)	62	33610001	1	Gear Sector
25	44411001	2	Lock Wedge	63	7106000	1	Washer-Flat
26	57321000	2	O-Ring	64	17864000	1	Cap Screw-Hex
27	65454001	2	Shaft-Lock	65	23653000	1	Cover-Gear Case
28	44584000	2	Label Lock	66	71609000	4	#8 Washer
29	71513000	4	Washer-Thrust (5/8)	67	64103000	4	Cap Screw
30	15699000	2	Bearing-Thrust (5/8)	Not Shown	61215100	4	Screw S/S
31	57389000	2	O-Ring	Not Shown	44601500	1	Label-ID
32	10466001	2	Adapter-Flange				
33	64074000	8	Screw-Machine				
34	36726001	2	Handle Tee				
35	51235000	2	Roll Pin				
36	18230001	1	Body-Inlet Monitor				

	ELKHART BRASS MFG. CO., INC. ELKHART, INDIANA
THIS DRAWING CONTAINS INFORMATION THAT IS PROPRIETARY TO ELKHART BRASS MFG. CO., INC. AND MAY NOT BE USED TO PRODUCE ANY PARTS, ASSEMBLIES OR PRODUCTS DESCRIBED HEREIN WITHOUT EXPRESS WRITTEN PERMISSION.	
COPPERHEAD 8593-IV PAGE 4 OF 4 09/2010	PART LIST



COPPERHEAD 8593-02

INDEX #	PART #	QTY	DESCRIPTION
1A	17941301	1	Base - 3" 150# Flange
1B	17944301	1 (Opt)	Base - 4" 150# Flange
1C	17942001	1 (Opt)	Base - 3.0" NPT
2	15005000	2 x 51	Balls - 0.250 Brass
3	57316000	1	O-Ring
4	80296001	1	Handle & Knob sub-assy
5	31011000	1	Fitting-Grease
6	61248000	2	Screw-Set (Brass)
7	44387000	1	Label/Serial No. Tag
8	61215100	4	Screw drive (S/S)
9	63689000	2	Screw-Set
10	61222000	2	Screw-Set (Brass)
11	57312000	1	O-Ring
12	15005000	2 x 46	Balls - 0.250 Brass
13	28136301	1	Elbow-Discharge
14	51891000	1	Plug-Pipe Brass
15	17913301	1	Body-Inlet
16	42080301	2	Knob-Lock (Brass)
17	81329001	2	Lock Bushing Sub-Assy
18	61275000	2	Screw-Set
Not Shown	99401011	1	Pressure Gauge Feature

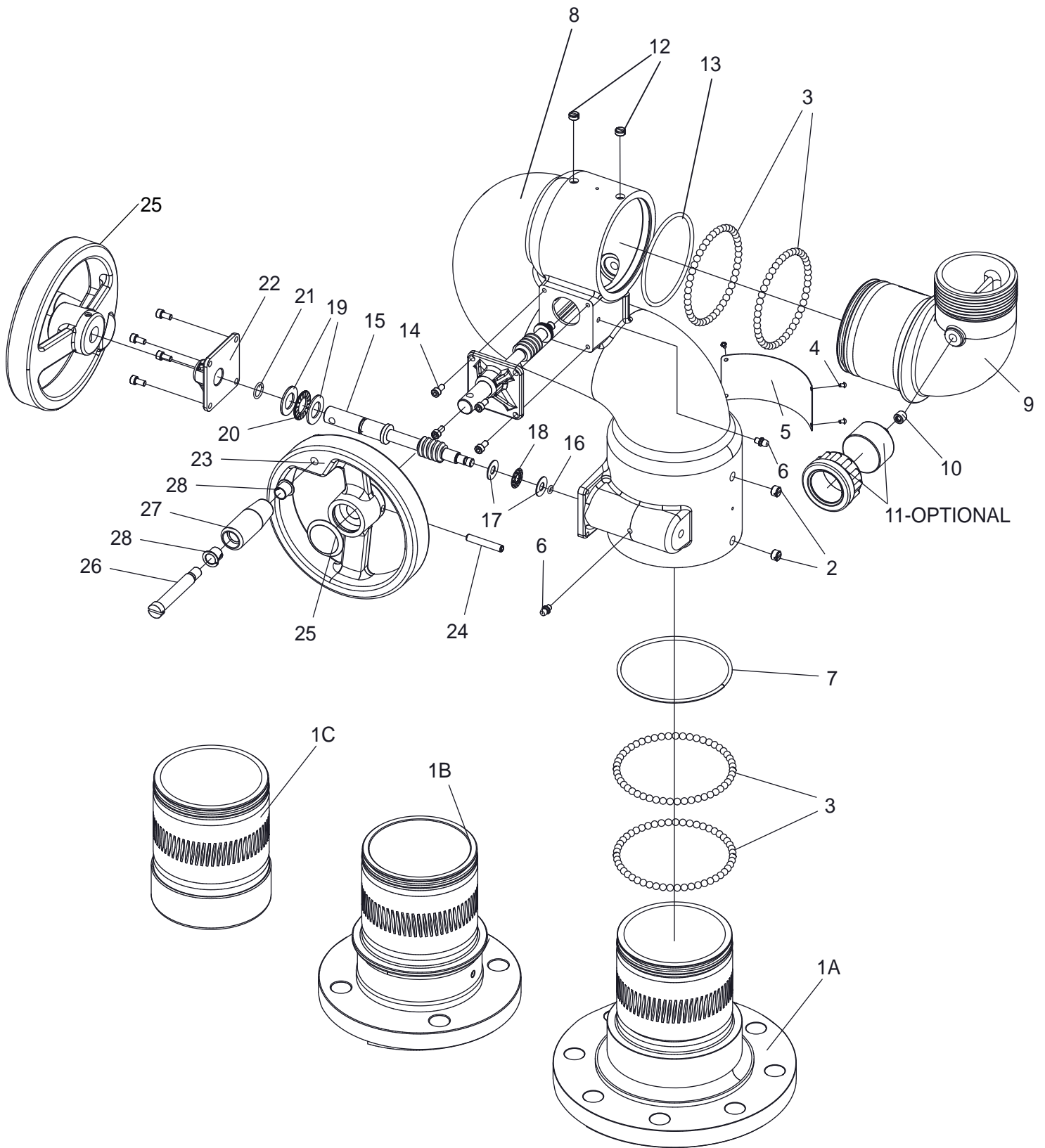


ELKHART BRASS MFG. CO., INC.
ELKHART, INDIANA

THIS DRAWING CONTAINS INFORMATION THAT IS
PROPRIETARY TO ELKHART BRASS MFG. CO., INC.
AND MAY NOT BE USED TO PRODUCE ANY PARTS,
ASSEMBLIES OR PRODUCTS DESCRIBED HEREIN
WITHOUT EXPRESS WRITTEN PERMISSION.

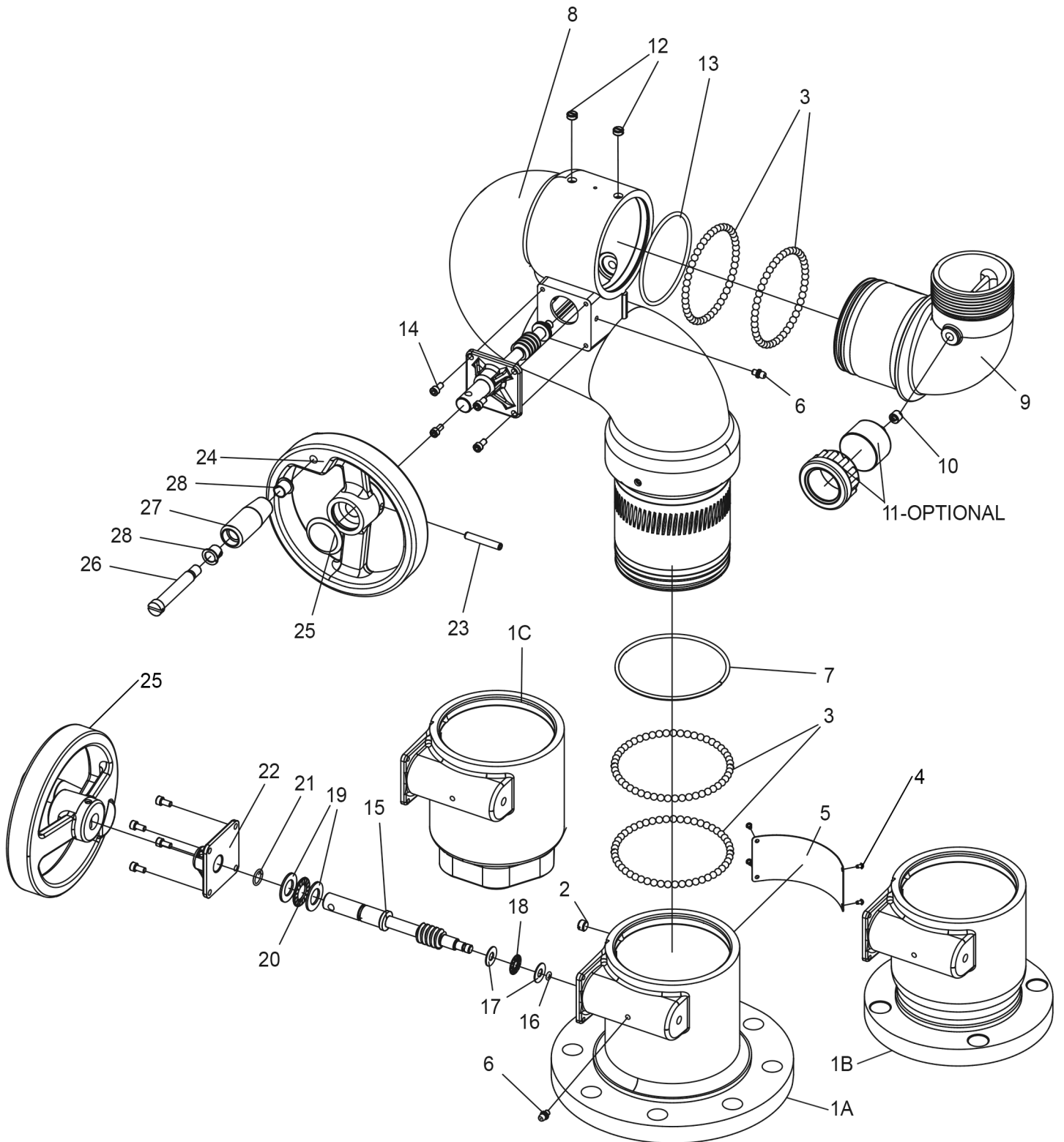
COPPERHEAD 8593-02
PAGE 2 OF 6
01/2018


PART
LIST



COPPERHEAD 8593-03/294-11REV.06

INDEX #	PART #	QTY	DESCRIPTION
1B	17968001	1	BASE - 3" 150# Flange
1A	17964001	1 (Opt)	BASE - 4" 150# Flange
1C	17972001	1 (Opt)	BASE - 3" NPT
2	61248000	2	SET SCREW
3	15005000	194	BALL BEARINGS
4	61215100	4	SCREW
5	44542000	1	LABEL/SERIAL TAG
6	31011000	2	GREASE FITTING
7	57316000	1	O-RING
8	18215001	1	INLET BODY
9	28141001	1	DISCHARGE ELBOW
10	51891000	1	PIPE - PLUG
11	99401011	1 (Opt)	PRESSURE GAUGE
12	61222000	2	SET SCREW
13	57312000	1	O-RING
14	63795000	8	SET SCREW
15	65655001	2	WORM SHAFT
16	57380000	2	O-RING
17	71516000	4	THRUST WASHER
18	17702000	2	THRUST BEARING
19	71513000	4	THRUST WASHER
20	15699000	2	THRUST BEARING
21	57321000	2	O-RING
22	10466001	2	FLANGED ADAPTER
23	51240000	2	ROLL PIN
24	71236001	2	HAND WHEEL
25	52018000	2	CAP PLUG
26	16436001	2	SWIVEL BOLT
27	36704001	2	SPINNER HANDLE
28	16687000	4	SPINNER BUSHING




ELKHART BRASS MFG. CO., INC.
 ELKHART, INDIANA
 THIS DRAWING CONTAINS INFORMATION THAT IS PROPRIETARY TO ELKHART BRASS MFG. CO., INC. AND MAY NOT BE USED TO PRODUCE ANY PARTS, ASSEMBLIES OR PRODUCTS DESCRIBED HEREIN WITHOUT EXPRESS WRITTEN PERMISSION.
 COPPERHEAD 8593-03X/294-11REV.6X
 PAGE 5 OF 6
 12/2007

PART DRAWING

COPPERHEAD 8593-03X/294-11REV.06X

INDEX #	PART #	QTY	DESCRIPTION
1A	17965001	1 (Opt)	BASE - 4" 150# Flange
1B	17969001	1	BASE - 3" 150# Flange
1C	17973001	1 (Opt)	BASE - 3" NPT
2	61248000	2	SET SCREW
3	15005000	194	BALL BEARINGS
4	61215100	4	SCREW
5	44543000	1	LABEL/SERIAL TAG
6	31011000	2	GREASE FITTING
7	57316000	1	O-RING
8	81484001	1	INLET BODY
9	28141001	1	DISCHARGE ELBOW
10	51891000	1	PIPE - PLUG
11	99401011	1 (Opt)	PRESSURE GAUGE
12	61222000	2	SET SCREW
13	57312000	1	O-RING
14	63795000	8	SET SCREW
15	65655001	2	WORM SHAFT
16	57380000	2	O-RING
17	71516000	4	THRUST WASHER
18	17702000	2	THRUST BEARING
19	71513000	4	THRUST WASHER
20	15699000	2	THRUST BEARING
21	57321000	2	O-RING
22	10466001	2	FLANGED ADAPTER
23	51240000	2	ROLL PIN
24	71236001	2	HAND WHEEL
25	52018000	2	CAP PLUG
26	16436001	2	SWIVEL BOLT
27	36704001	2	SPINNER HANDLE
28	16687000	4	SPINNER BUSHING