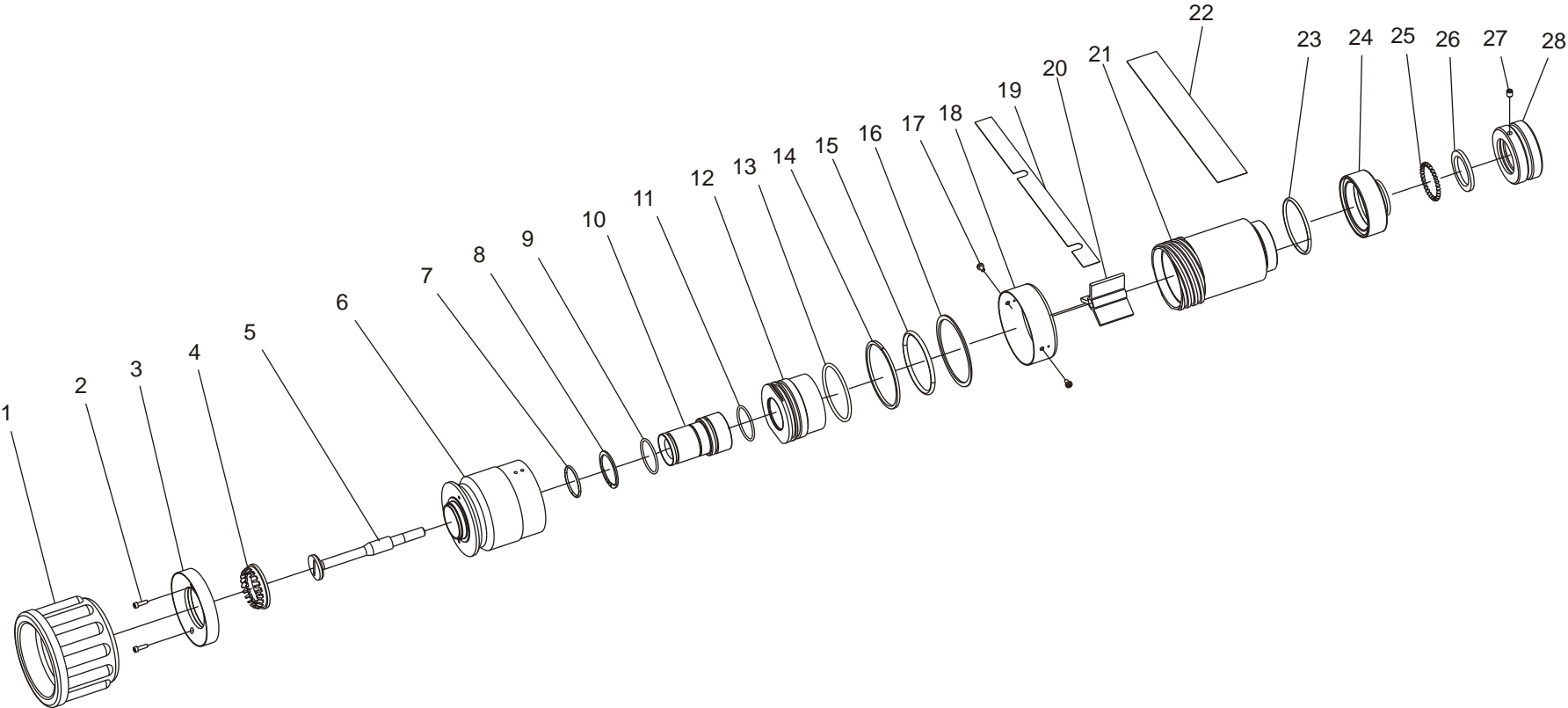


# CHIEF TIPS (4000-04)



**CHIEF TIPS  
(4000-04)**

<b>INDEX #</b>	<b>MODEL</b>	<b>PART #</b>	<b>QTY</b>	<b>DESCRIPTION</b>
1	4000-04	33657000	1	Bumper - Orange (STD)
2	4000-04	63780000	2	Cap Screw
3	4000-04	57612001	1	Retaining Ring
4	4000-04	58872000	1	Spinning Teeth
5	4000-04	62060001	1	Stem - 30 GPM@100 PSI
5	4000-04	62062001	1	Stem - 60 GPM@100 PSI
5	4000-04	62061001	1	Stem - 45 GPM@100 PSI
5	4000-04	62059001	1	Stem - 15 GPM@100 PSI
6	4000-04	66367001	1	Nozzle Tip
7	4000-04	57329000	1	O-Ring
8	4000-04	57684000	1	Ring Retainer
9	4000-04	57327000	1	O-Ring
10	4000-04	16903001	1	Barrel Center
11	4000-04	57337000	1	O-Ring
12	4000-04	17135001	1	Body (Tip) Nozzle
13	4000-04	57420000	1	O-Ring
14	4000-04	57661000	1	Ring - Split
15	4000-04	57310000	1	O-Ring
16	4000-04	71114001	1	Washer
17	4000-04	65129000	2	Torx Screw
18	4000-04	61670001	1	Sleeve - Tip
19	4000-04	44300000	1	Label - Stream Pattern
20	4000-04	63404001	1	Base (Web) Stem
21	4000-04	17133001	1	Body (Base) Nozzle
22	4000-04	44302000	1	Label - Identification
23	4000-04	57334000	1	O-Ring
24	4000-04	10344001	1	Adapter (1" NHT Swivel)
25	4000-04	15031000	28	.125 Ball S/S (1" NHT Swivel)
26	4000-04	61269000	1	Set Screw (1" NHT Swivel)
27	4000-04	63104001	1	Swivel (1" NHT Swivel)
28	4000-04	33069000	1	Gasket - Rubber (1" NHT Swivel)



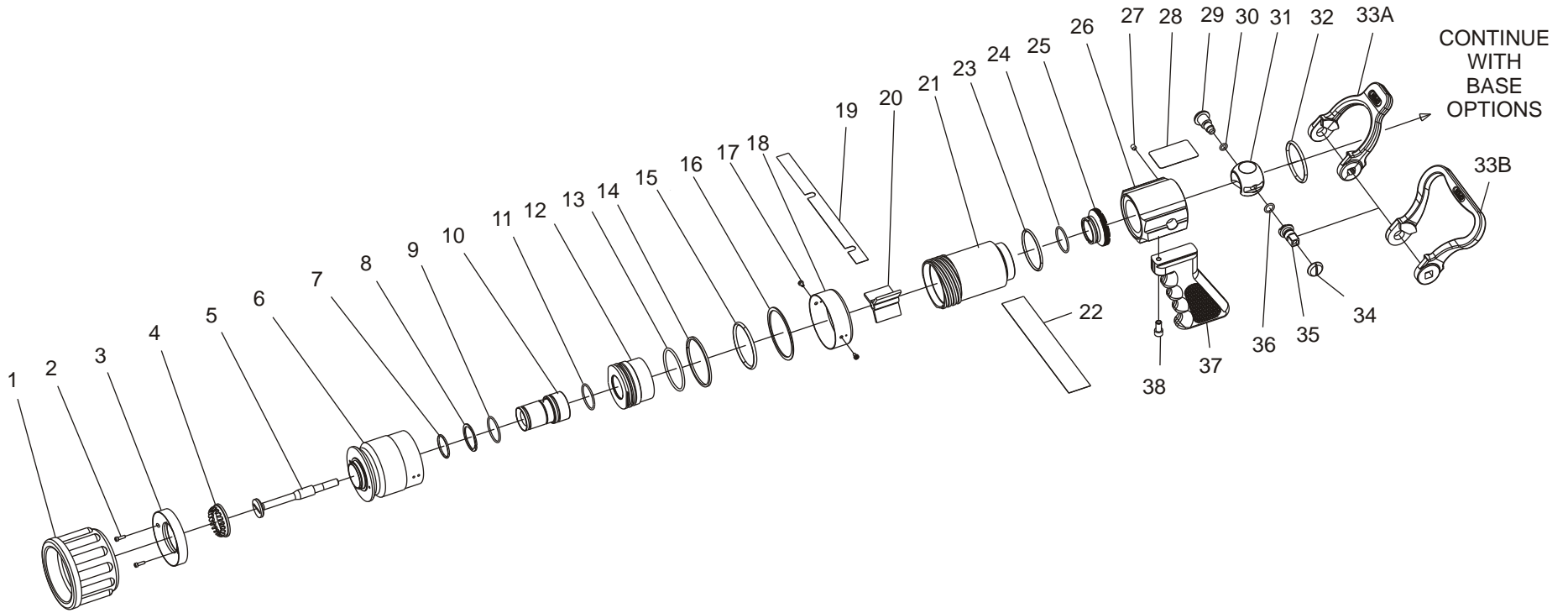
ELKHART BRASS MFG. CO., INC.  
ELKHART, INDIANA

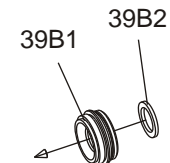
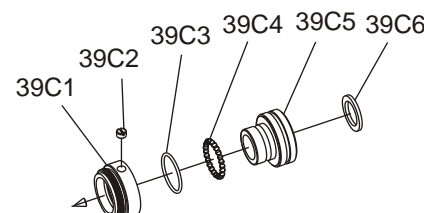
THIS DRAWING CONTAINS INFORMATION THAT IS  
PROPRIETARY TO ELKHART BRASS MFG. CO., INC.  
AND MAY NOT BE USED TO PRODUCE ANY PARTS,  
ASSEMBLIES OR PRODUCTS DESCRIBED HEREIN  
WITHOUT EXPRESS WRITTEN PERMISSION.


CHIEF TIPS  
PAGE 2 OF 19  
03/2008

PART  
LIST

# CHIEF NOZZLES (4000-01, 4000-02, 4000-03)




BASE OPTIONS	
	
*1.0" RIGID (OPT)	1.0" FREE SWIVEL STD FOR PISTOL GRIP

 <b>ELKHART BRASS MFG. CO., INC.</b> ELKHART, INDIANA	
<small>THIS DRAWING CONTAINS INFORMATION THAT IS PROPRIETARY TO ELKHART BRASS MFG. CO., INC. AND MAY NOT BE USED TO PRODUCE ANY PARTS, ASSEMBLIES OR PRODUCTS DESCRIBED HEREIN WITHOUT EXPRESS WRITTEN PERMISSION.</small>	
CHIEF NOZZLES PAGE 3 OF 19 03/2008	PART DRAWING

\*NOT RECOMMENDED FOR PISTOL GRIP

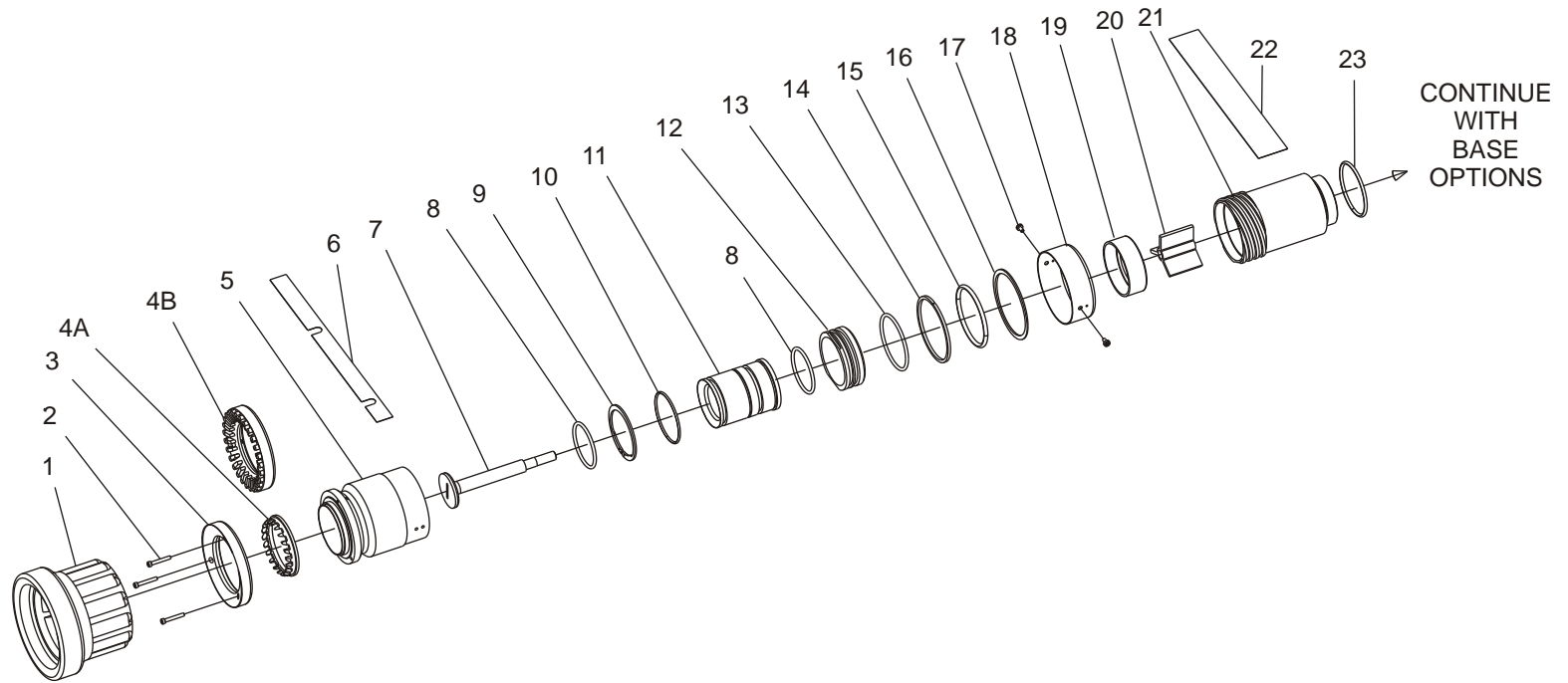
**CHIEF NOZZLES**  
**(4000-01, 4000-02, 4000-03)**

INDEX #	MODEL	PART #	QTY	DESCRIPTION	INDEX #	MODEL	PART #	QTY	DESCRIPTION
1	ALL	33657000	1	Bumper - Orange (STD)	26	ALL	16965001	1	Body - Shut-Off
2	ALL	63780000	2	Cap Screw	27	ALL	61269000	1	Socket Set Screw S/S
3	ALL	57612001	1	Retaining Ring	28	ALL	44299000	1	Label - Caution
4	ALL	58872000	1	Spinning Teeth	29	ALL	63708000	1	Screw - Pivot S/S
5	ALL	62060001	1	Stem - 30 GPM@100 PSI	30	ALL	57348000	1	O-Ring
5	ALL	62062001	1	Stem - 60 GPM@100 PSI	31	ALL	15076000	1	Ball - 1.0 (Acetal)
5	ALL	62061001	1	Stem - 45 GPM@100 PSI	32	ALL	57309000	1	O-Ring
5	ALL	62059001	1	Stem - 15 GPM@100 PSI	33A	ALL	36276004	1	Tab Handle - Chrome (STD)
6	ALL	66367001	1	Nozzle Tip	33B	ALL	36085004	1	Horseshoe Handle - Chrome
7	ALL	57329000	1	O-Ring	34	ALL	61286000	1	Screw - Actuator Shaft S/S
8	ALL	57684000	1	Ring Retainer	35	ALL	63755000	1	Shaft - Actuator (Square)
9	ALL	57327000	1	O-Ring	36	ALL	57298000	1	O-Ring
10	ALL	16903001	1	Barrel Center	37	4000-03	33781001	1	Pistol Grip - Elk-O-Lite (STD)*
11	ALL	57337000	1	O-Ring	38	4000-03	61040000	1	Screw S/S
12	ALL	17135001	1	Body (Tip) Nozzle	39B1	4000-01	15429001	1	Base (1" NHT Rigid)
13	ALL	57420000	1	O-Ring	39B2	4000-01	33091000	1	Gasket - Rubber (1" NHT Rigid)
14	ALL	57661000	1	Ring - Split	39C1	4000-02	11607001	1	Adapter - Base (1" NHT Free Swivel)
15	ALL	57310000	1	O-Ring	39C1	4000-03	11607001	1	Adapter - Base (1" NHT Free Swivel)
16	ALL	71114001	1	Washer	39C2	4000-02	63688000	1	Screw (1" NHT Free Swivel)
17	ALL	65129000	2	Torx Screw	39C2	4000-03	63688000	1	Screw (1" NHT Free Swivel)
18	ALL	61670001	1	Sleeve - Tip	39C3	4000-02	57336000	1	O-Ring (1" NHT Free Swivel)
19	ALL	44300000	1	Label - Stream Pattern	39C3	4000-03	57336000	1	O-Ring (1" NHT Free Swivel)
20	ALL	63404001	1	Base (Web) Stem	39C4	4000-02	15018000	23	.187 Ball S/S (1" NHT Free Swivel)
21	ALL	17133001	1	Body (Base) Nozzle	39C4	4000-03	15018000	23	.187 Ball S/S (1" NHT Free Swivel)
22	ALL	SPECIFY	1	Label - Identification	39C5	4000-02	16760001	1	Adapter - Base (1" NHT Free Swivel)
23	ALL	57334000	1	O-Ring	39C5	4000-03	16760001	1	Adapter - Base (1" NHT Free Swivel)
24	ALL	57327000	1	O-Ring	39C6	4000-02	33091000	1	Gasket - Rubber (1" NHT Free Swivel)
25	ALL	61357000	1	Seal Adjustable	39C6	4000-03	33091000	1	Gasket - Rubber (1" NHT Free Swivel)

	ELKHART BRASS MFG. CO., INC. ELKHART, INDIANA
THIS DRAWING CONTAINS INFORMATION THAT IS PROPRIETARY TO ELKHART BRASS MFG. CO., INC. AND MAY NOT BE USED TO PRODUCE ANY PARTS, ASSEMBLIES OR PRODUCTS DESCRIBED HEREIN WITHOUT EXPRESS WRITTEN PERMISSION.	
CHIEF NOZZLES PAGE 4 OF 19 03/2008	PART LIST

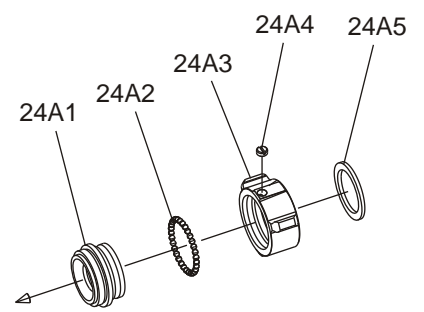
\*RECOMMENDED WITH FREE SWIVEL BASE ONLY

# CHIEF TIPS (4000-14)

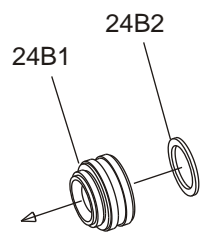


CONTINUE WITH  
BASE  
OPTIONS


## BASE OPTIONS



\*1.5" SWIVEL (STD)



\*1.5" RIGID (OPT)

 <b>ELKHART BRASS MFG. CO., INC.</b> ELKHART, INDIANA	
<small>THIS DRAWING CONTAINS INFORMATION THAT IS PROPRIETARY TO ELKHART BRASS MFG. CO., INC. AND MAY NOT BE USED TO PRODUCE ANY PARTS, ASSEMBLIES OR PRODUCTS DESCRIBED HEREIN WITHOUT EXPRESS WRITTEN PERMISSION.</small>	
CHIEF NOZZLES PAGE 5 OF 19 03/2008	PART DRAWING

\* NOT RECOMMENDED FOR PISTOL

**CHIEF TIPS  
(4000-14)**

INDEX #	MODEL	PART #	QTY	DESCRIPTION
1	4000-14	33658000	1	Bumper - Orange (STD)
2	4000-14	64069000	3	Cap Screw
3	4000-14	57618001	1	Retaining Ring
4A	4000-14	58870000	1	Spinning Teeth
4B	4000-14	58976000	1	Teeth Ring Molded
5	4000-14	66366001	1	Nozzle Tip
6	4000-14	44300000	1	Label - Stream Pattern
7	4000-14	62175001	1	Stem - 150 GPM@50 PSI
7	4000-14	62170001	1	Stem - 175 GPM@75 PSI
7	4000-14	62089001	1	Stem - 150 GPM@75 PSI
7	4000-14	62096001	1	Stem - 125 GPM@75 PSI
7	4000-14	62051001	1	Stem - 150 GPM@100 PSI
7	4000-14	62050001	1	Stem - 125 GPM@100 PSI
7	4000-14	62049001	1	Stem - 95 GPM@100 PSI
7	4000-14	69032001	1	Stem - 75 GPM@100 PSI
7	4000-14	62047001	1	Stem - 60 GPM@100 PSI
8	4000-14	57398000	2	O-Ring
9	4000-14	58931000	1	Ring Retainer
10	4000-14	57430000	1	O-Ring
11	4000-14	16913001	1	Barrel Center
12	4000-14	17148001	1	Body (Tip) Nozzle
13	4000-14	57420000	1	O-Ring
14	4000-14	57661000	1	Ring - Split
15	4000-14	57310000	1	O-Ring
16	4000-14	71114001	1	Washer
17	4000-14	65129000	2	Torx Screw
18	4000-14	61670001	1	Sleeve - Tip
19	4000-14	63602001	1	Spacer
20	4000-14	63404001	1	Base (Web) Stem
21	4000-14	17133001	1	Body (Base) Nozzle
22	4000-14	44309000	1	Label - Identification
23	4000-14	57334000	1	O-Ring
24A1	4000-14	10337001	1	Adapter (1.5" NHT Swivel)
24A2	4000-14	15018000	32	.187 Ball S/S (1.5" NHT Swivel)
24A3	4000-14	63068001	1	Swivel (1.5" NHT Swivel)
24A4	4000-14	63674000	1	Set Screw (1.5" NHT Swivel)
24A5	4000-14	33074000	1	Gasket - Rubber (1.5" NHT Swivel)
24B1	4000-14	15443001	1	Base (1.5" NHT Rigid)
24B2	4000-14	33074000	1	Gasket - Rubber (1.5" NHT Rigid)



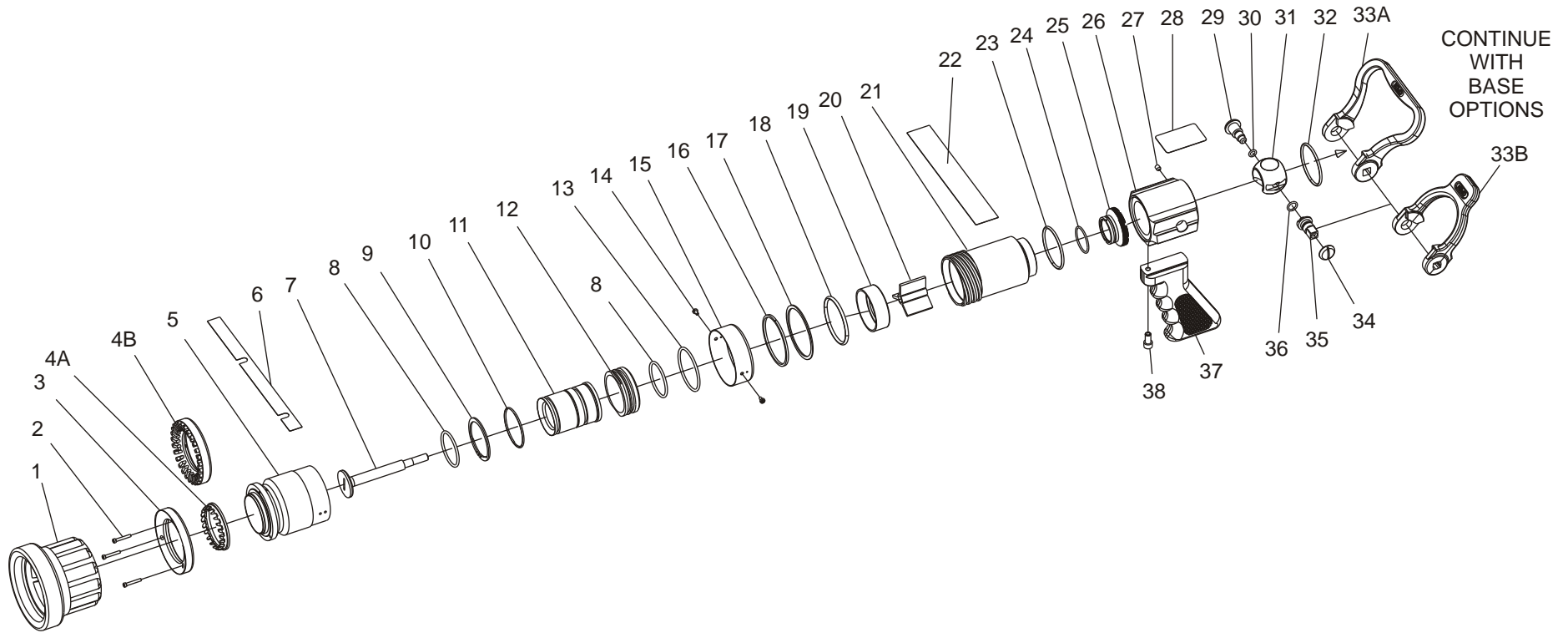
ELKHART BRASS MFG. CO., INC.  
ELKHART, INDIANA

THIS DRAWING CONTAINS INFORMATION THAT IS  
PROPRIETARY TO ELKHART BRASS MFG. CO., INC.  
AND MAY NOT BE USED TO PRODUCE ANY PARTS,  
ASSEMBLIES OR PRODUCTS DESCRIBED HEREIN  
WITHOUT EXPRESS WRITTEN PERMISSION.

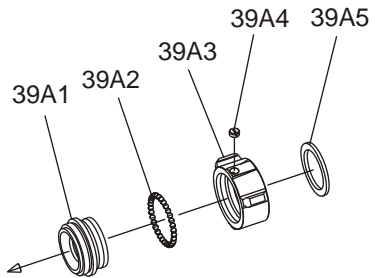
CHIEF 4000-14  
PAGE 6 OF 19  
01/2008

PART  
LIST

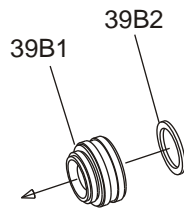
# CHIEF NOZZLES (4000-10, 4000-11, 4000-12, 4000-13)



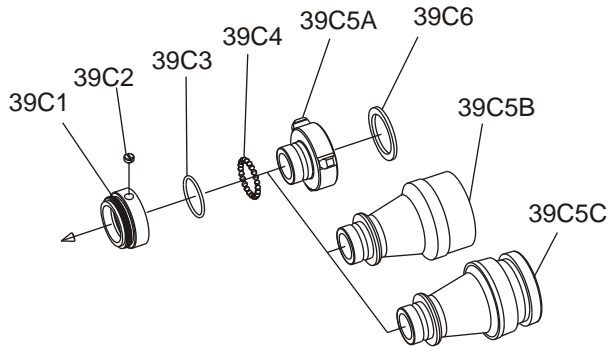
## BASE OPTIONS



\*1.5" SWIVEL (STD)



\*1.5" RIGID (OPT)



1.5" FREE SWIVEL  
STD FOR PISTOL GRIP

ELKHART BRASS MFG. CO., INC.  
ELKHART, INDIANA

THIS DRAWING CONTAINS INFORMATION THAT IS PROPRIETARY TO ELKHART BRASS MFG. CO., INC. AND MAY NOT BE USED TO PRODUCE ANY PARTS, ASSEMBLIES OR PRODUCTS DESCRIBED HEREIN WITHOUT EXPRESS WRITTEN PERMISSION.

CHIEF NOZZLES  
PAGE 7 OF 19  
03/2008


PART  
DRAWING

\* NOT RECOMMENDED FOR PISTOL

**CHIEF NOZZLES**

**(4000-10, 4000-11, 4000-12, 4000-13)**

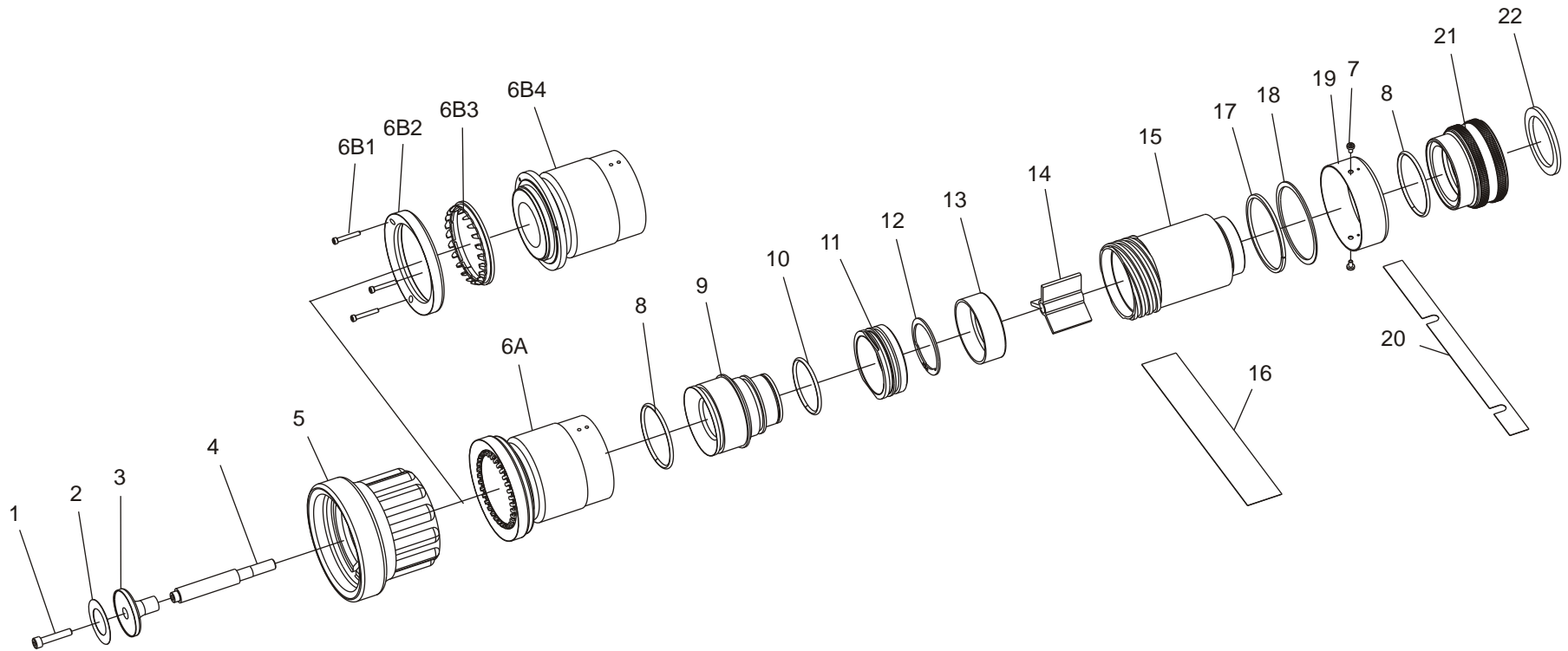
INDEX #	MODEL	PART #	QTY	DESCRIPTION	INDEX #	MODEL	PART #	QTY	DESCRIPTION
1	ALL	33658000	1	Bumper - Orange (STD)	38	4000-13	61040000	1	Screw S/S
2	ALL	64069000	3	Cap Screw	39A1	4000-10	11606001	1	Adapter - Base (1.5" NHT Swivel)
3	ALL	57618001	1	Retaining Ring	39A2	4000-10	15018000	32	.187 Ball S/S (1.5" NHT Swivel)
4A	ALL	58870000	1	Spinning Teeth	39A3	4000-10	63068001	1	1.5 Swivel (1.5" NHT Swivel)
4B	ALL	58976000	1	Teeth Ring Molded	39A4	4000-10	63674000	1	Set Screw (1.5" NHT Swivel)
5	ALL	66366001	1	Nozzle Tip	39A5	4000-10	33074000	1	Gasket - Rubber (1.5" NHT Swivel)
6	ALL	44300000	1	Label	39B1	4000-11	15428001	1	Base (1.5" NHT Rigid)
7	ALL	62096001	1	Stem - 125 GPM@75 PSI	39B2	4000-11	33074000	1	Gasket - Rubber (1.5" NHT Rigid)
7	ALL	62051001	1	Stem - 150 GPM@100 PSI	39C1	4000-12	11607001	1	Adapter - Base (1.5" NHT Free Swivel)
7	ALL	62050001	1	Stem - 125 GPM@100 PSI	39C1	4000-13	11607001	1	Adapter - Base (1.5" NHT Free Swivel)
7	ALL	62049001	1	Stem - 95 GPM@100 PSI	39C1	4000-12	11607001	1	Adapter - Base (1.5" NHT Free Swivel B.I.)
7	ALL	69032001	1	Stem - 75 GPM@100 PSI	39C1	4000-13	11607001	1	Adapter - Base (1.5" NHT Free Swivel B.I.)
7	ALL	62047001	1	Stem - 60 GPM@100 PSI	39C1	4000-12	11607001	1	Adapter - Base (1.5" NHT Free Swivel BSPP)
8	ALL	57398000	2	O-Ring	39C1	4000-13	11607001	1	Adapter - Base (1.5" NHT Free Swivel BSPP)
9	ALL	58931000	1	Ring Retainer	39C2	4000-12	63674000	1	Set Screw (1.5" NHT Free Swivel)
10	ALL	57430000	1	O-Ring	39C2	4000-13	63674000	1	Set Screw (1.5" NHT Free Swivel)
11	ALL	16913001	1	Barrel Center	39C2	4000-12	63688000	1	Screw (1.5" NHT Free Swivel B.I.)
12	ALL	17148001	1	Body (Tip) Nozzle	39C2	4000-13	63688000	1	Screw (1.5" NHT Free Swivel B.I.)
13	ALL	57420000	1	O-Ring	39C2	4000-12	63688000	1	Screw (1.5" NHT Free Swivel BSPP)
14	ALL	57661000	1	Ring - Split	39C2	4000-13	63688000	1	Screw (1.5" NHT Free Swivel BSPP)
15	ALL	57310000	1	O-Ring	39C3	4000-12	57336000	1	O-Ring (1.5" NHT Free Swivel)
16	ALL	71114001	1	Washer	39C3	4000-13	57336000	1	O-Ring (1.5" NHT Free Swivel)
17	ALL	65129000	2	Torx Screw	39C3	4000-12	57336000	1	O-Ring (1.5" NHT Free Swivel B.I.)
18	ALL	61670001	1	Sleeve - Tip	39C3	4000-13	57336000	1	O-Ring (1.5" NHT Free Swivel B.I.)
19	ALL	63602001	1	Spacer	39C3	4000-12	57336000	1	O-Ring (1.5" NHT Free Swivel BSPP)
20	ALL	63404001	1	Base (Web) Stem	39C3	4000-13	57336000	1	O-Ring (1.5" NHT Free Swivel BSPP)
21	ALL	17133001	1	Body (Base) Nozzle	39C4	4000-12	15018000	23	.187 Ball S/S (1.5" NHT Free Swivel)
22	ALL	SPECIFY	1	Label - Identification	39C4	4000-13	15018000	23	.187 Ball S/S (1.5" NHT Free Swivel)
23	ALL	57334000	1	O-Ring	39C4	4000-12	15018000	23	.187 Ball S/S (1.5" NHT Free Swivel B.I.)
24	ALL	57327000	1	O-Ring	39C4	4000-13	15018000	23	.187 Ball S/S (1.5" NHT Free Swivel B.I.)
25	ALL	61357000	1	Seal Adjustable	39C4	4000-12	15018000	23	.187 Ball S/S (1.5" NHT Free Swivel BSPP)
26	ALL	16965001	1	Body - Shut-Off	39C4	4000-13	15018000	23	.187 Ball S/S (1.5" NHT Free Swivel BSPP)
27	ALL	61269000	1	Set Screw	39C5A	4000-12	16762001	1	Base (1.5" NHT Free Swivel)
28	ALL	44299000	1	Label - Open & Close	39C5A	4000-13	16762001	1	Base (1.5" NHT Free Swivel)
29	ALL	63708000	1	Screw - Pivot S/S	39C5B	4000-12	15630001	1	Base (1.5" NHT Free Swivel BSPP)
30	ALL	57348000	1	O-Ring	39C5B	4000-13	15630001	1	Base (1.5" NHT Free Swivel BSPP)
31	ALL	15076000	1	Ball - 1.0 (Acetal)	39C5C	4000-12	16775001	1	Base (1.5" NHT Free Swivel B.I.)
32	ALL	57309000	1	O-Ring	39C5C	4000-13	16775001	1	Base (1.5" NHT Free Swivel B.I.)
33A	ALL	36085004	1	Horseshoe Handle - Chrome	39C6	4000-12	33074000	1	Gasket - Rubber (1.5" NHT Swivel)
33B	ALL	36276004	1	Tab Handle - Chrome (STD)	39C6	4000-13	33074000	1	Gasket - Rubber (1.5" NHT Swivel)
34	ALL	61286000	1	Screw - Actuator Shaft S/S	39C6	4000-12	33074000	1	Gasket - Rubber (1.5" NHT Swivel B.I.)
35	ALL	63755000	1	Shaft - Actuator (Square)	39C6	4000-13	33074000	1	Gasket - Rubber (1.5" NHT Swivel B.I.)
36	ALL	57298000	1	O-Ring	39C6	4000-12	33074000	1	Gasket - Rubber (1.5" NHT Swivel BSPP)
37	4000-13	33781001	1	Pistol Grip - Elk-O-Lite (STD)*	39C6	4000-13	33074000	1	Gasket - Rubber (1.5" NHT Swivel BSPP)

 <b>ELKHART BRASS MFG. CO., INC.</b> ELKHART, INDIANA	
THIS DRAWING CONTAINS INFORMATION THAT IS PROPRIETARY TO ELKHART BRASS MFG. CO., INC. AND MAY NOT BE USED TO PRODUCE ANY PARTS, ASSEMBLIES OR PRODUCTS DESCRIBED HEREIN WITHOUT EXPRESS WRITTEN PERMISSION.	
CHIEF NOZZLES PAGE 8 OF 19 03/2008	PART LIST

\*RECOMMENDED WITH FREE SWIVEL BASE ONLY



# CHIEF TIPS (4000-14HR)



**CHIEF TIPS  
(4000-14HR)**

<b>INDEX #</b>	<b>MODEL</b>	<b>PART #</b>	<b>QTY</b>	<b>DESCRIPTION</b>
1	4000-14HR	61180000	1	Cap Screw
2	4000-14HR	SPECIFY	1	Label Stem
3	4000-14HR	69038102	1	Stem - Head 175 GPM@50 PSI
3	4000-14HR	69039302	1	Stem - Head 200 GPM@75 PSI
4	4000-14HR	62215001	1	Stem Shaft
5	4000-14HR	33664910	1	Bumper - Glow (STD)
6A	4000-14HR	66402007	1	Tip - Nozzle (Rigid Teeth)
6B1	4000-14HR	64069000	3	Cap Screw (Spinning Teeth)
6B2	4000-14HR	57638001	1	Ring Retainer (Spinning Teeth)
6B3	4000-14HR	58977000	1	Ring - Teeth (Spinning Teeth)
6B4	4000-14HR	66391001	1	Tip - Nozzle (Spinning Teeth)
7	4000-14HR	65129000	2	Torx Screw
8	4000-14HR	57334000	2	O-Ring
9	4000-14HR	18109001	1	Barrel Center
10	4000-14HR	57330000	1	O-Ring
11	4000-14HR	17178001	1	Body (Tip) Nozzle
12	4000-14HR	58940000	1	Ring Retainer
13	4000-14HR	63602001	1	Spacer
14	4000-14HR	63404000	1	Base Stem
15	4000-14HR	17133001	1	Body (Base) Nozzle
16	4000-14HR	44550000	1	Label - Identification
17	4000-14HR	57661000	1	Ring - Split
18	4000-14HR	71114001	1	Washer
19	4000-14HR	61670001	1	Sleeve - Tip
20	4000-14HR	44460000	1	Label - Stream Pattern
21	4000-14HR	15443001	1	Base (1.5" NHT Rigid)
22	4000-14HR	33074000	1	Gasket - Rubber (1.5" NHT Rigid)



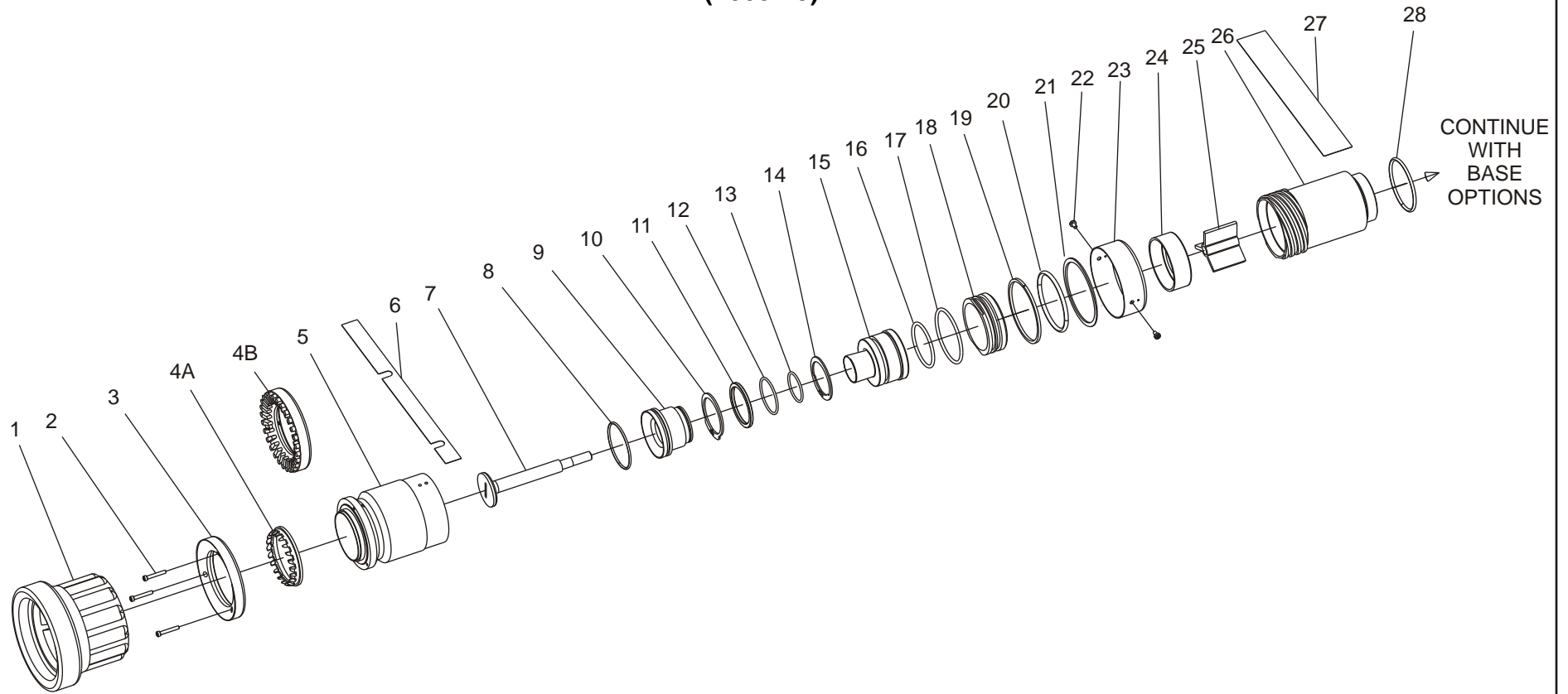
ELKHART BRASS MFG. CO., INC.  
ELKHART, INDIANA

THIS DRAWING CONTAINS INFORMATION THAT IS  
PROPRIETARY TO ELKHART BRASS MFG. CO., INC.  
AND MAY NOT BE USED TO PRODUCE ANY PARTS,  
ASSEMBLIES OR PRODUCTS DESCRIBED HEREIN  
WITHOUT EXPRESS WRITTEN PERMISSION.

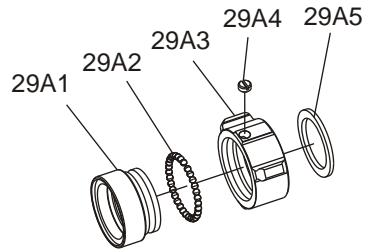
CHIEF TIPS  
PAGE 10 OF 19  
05/2012

PART  
LIST

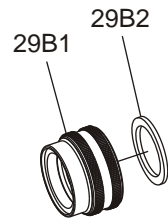
# CHIEF TIPS (4000-19)



## BASE OPTIONS



\*1.5" SWIVEL (STD)



\*1.5" RIGID (OPT)



ELKHART BRASS MFG. CO., INC.  
ELKHART, INDIANA

THIS DRAWING CONTAINS INFORMATION THAT IS PROPRIETARY TO ELKHART BRASS MFG. CO., INC. AND MAY NOT BE USED TO PRODUCE ANY PARTS, ASSEMBLIES OR PRODUCTS DESCRIBED HEREIN WITHOUT EXPRESS WRITTEN PERMISSION.


CHIEF TIPS  
PAGE 11 OF 19  
03/2008

PART  
DRAWING

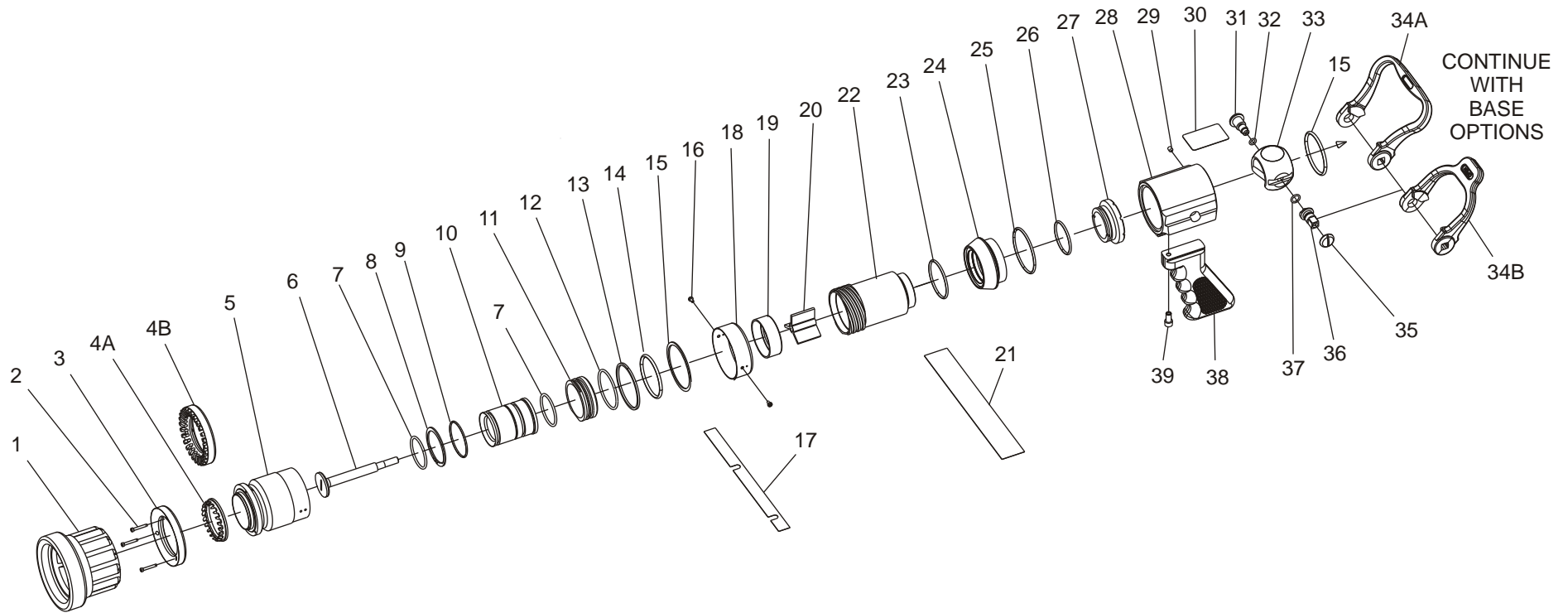
\* NOT RECOMMENDED FOR PISTOL GRIP

**CHIEF TIPS  
(4000-19)**

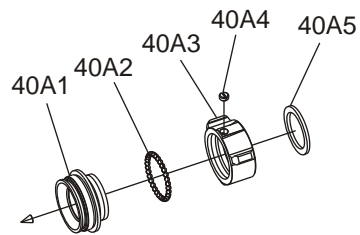
<b>INDEX #</b>	<b>MODEL</b>	<b>PART #</b>	<b>QTY</b>	<b>DESCRIPTION</b>
1	4000-19	33658000	1	Bumper - Orange (STD)
2	4000-19	64069000	3	Cap Screw
3	4000-19	57618001	1	Ring Retainer
4A	4000-19	58870000	1	Spinning Teeth
4B	4000-19	58976000	1	Teeth Ring Molded
5	4000-19	66387001	1	Tip - Nozzle Twist Shut-off
6	4000-20	44300000	1	Label - Stream Pattern
7	4000-19	62186001	1	Stem - 150 GPM@75 PSI
7	4000-19	62096001	1	Stem - 125 GPM@75 PSI
7	4000-19	62051001	1	Stem - 150 GPM@100 PSI
7	4000-19	62050001	1	Stem - 125 GPM@100 PSI
7	4000-19	62049001	1	Stem - 95 GPM@100 PSI
7	4000-19	69032001	1	Stem - 75 GPM@100 PSI
7	4000-19	62047001	1	Stem - 60 GPM@100 PSI
8	4000-19	57441000	1	O-Ring
9	4000-19	17490001	1	Barrel Center (Front)
10	4000-19	58938000	1	Ring Retainer
11	4000-19	59057001	1	Ring - Flush
12	4000-19	57397000	1	O-Ring
13	4000-19	57329000	1	O-Ring
14	4000-19	58939000	1	Ring - Retainer
16	4000-19	57398000	1	O-Ring
15	4000-19	17491001	1	Barrel Center (Rear)
17	4000-19	57420000	1	O-Ring
18	4000-19	17148001	1	Body (Tip) Nozzle
22	4000-19	65129000	2	Torx Screw
23	4000-19	61670001	1	Sleeve - Tip
24	4000-19	63602001	1	Spacer
25	4000-19	63404001	1	Base (Web) Stem
26	4000-19	17133001	1	Body (Base) Nozzle
27	4000-19	44335000	1	Label - Identification
19	4000-19	57661000	1	Ring - Split
20	4000-19	57310000	1	O-Ring
21	4000-19	71114001	1	Washer
28	4000-19	57334000	1	O-Ring
29A1	4000-19	10337001	1	Adapter (1.5" NHT Swivel)
29A2	4000-19	15018000	32	.187 Ball S/S (1.5" NHT Swivel)
29A3	4000-19	63068001	1	Swivel (1.5" NHT Swivel)
29A4	4000-19	63674000	1	Set Screw (1.5" NHT Swivel)
29A5	4000-19	33074000	1	Gasket - Rubber (1.5" NHT Swivel)
29B1	4000-19	15443001	1	Base (1.5" NHT Rigid)
29B2	4000-19	33074000	1	Gasket - Rubber (1.5" NHT Rigid)

	ELKHART BRASS MFG. CO., INC. ELKHART, INDIANA
THIS DRAWING CONTAINS INFORMATION THAT IS PROPRIETARY TO ELKHART BRASS MFG. CO., INC. AND MAY NOT BE USED TO PRODUCE ANY PARTS, ASSEMBLIES OR PRODUCTS DESCRIBED HEREIN WITHOUT EXPRESS WRITTEN PERMISSION.	
CHIEF TIPS PAGE 12 OF 19 03/2008	PART LIST

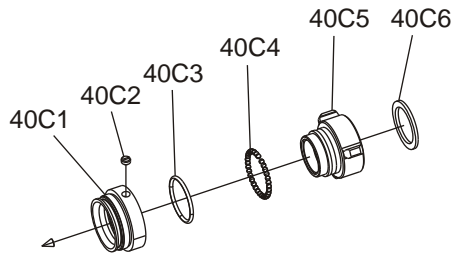
# CHIEF NOZZLES (4000-16, 4000-17)



## BASE OPTIONS



\*1.5" SWIVEL (STD)



1.5" FREE SWIVEL  
STD FOR PISTOL GRIP



ELKHART BRASS MFG. CO., INC.  
ELKHART, INDIANA

THIS DRAWING CONTAINS INFORMATION THAT IS PROPRIETARY TO ELKHART BRASS MFG. CO., INC. AND MAY NOT BE USED TO PRODUCE ANY PARTS, ASSEMBLIES OR PRODUCTS DESCRIBED HEREIN WITHOUT EXPRESS WRITTEN PERMISSION.


CHIEF NOZZLES  
PAGE 13 OF 19  
03/2008

PART  
DRAWING

\*NOT RECOMMENDED FOR PISTOL GRIP

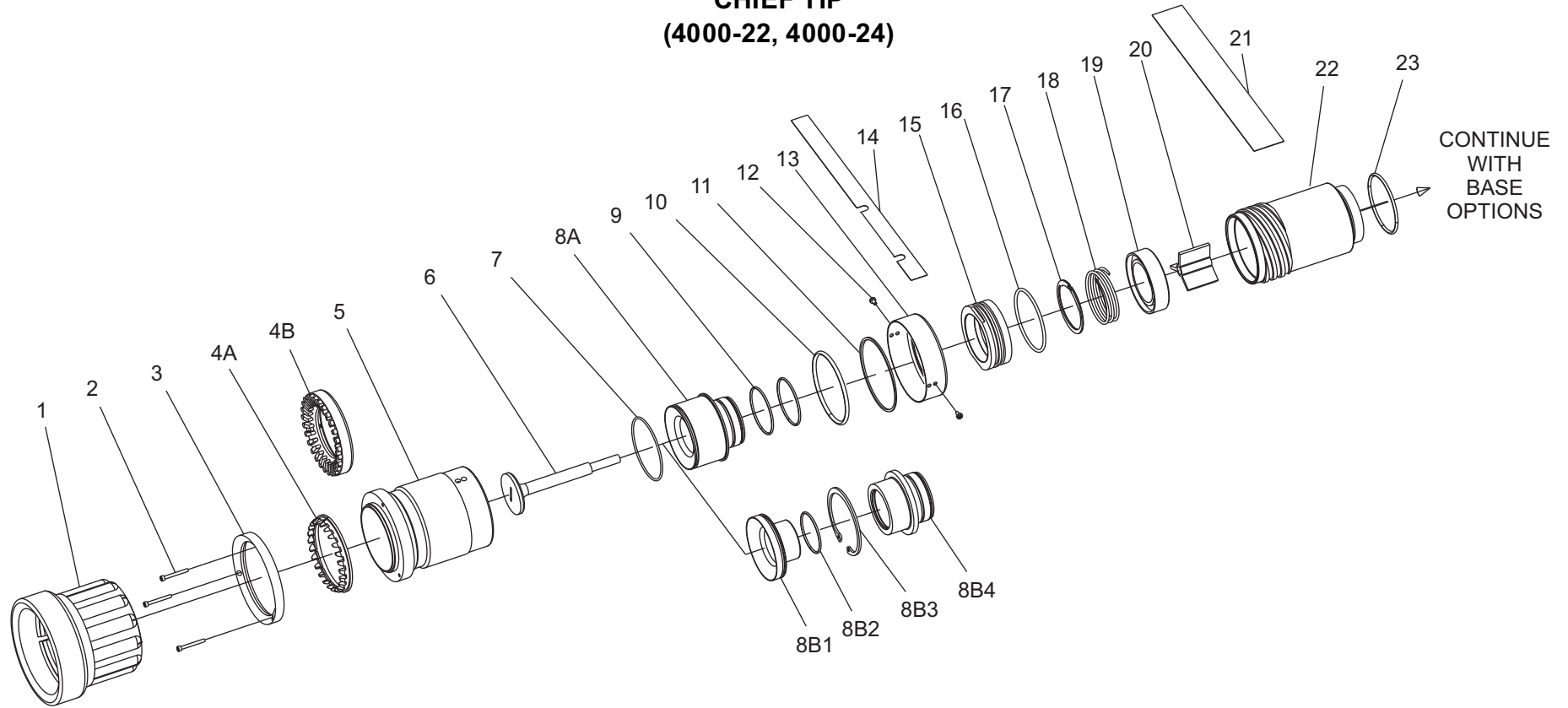
**CHIEF NOZZLES  
(4000-16, 4000-17)**

INDEX #	MODEL	PART #	QTY	DESCRIPTION	INDEX #	MODEL	PART #	QTY	DESCRIPTION
1	ALL	33658000	1	Bumper - Orange (STD)	23	ALL	57334000	1	O-Ring
2	ALL	64069000	3	Cap Screw	24	ALL	11543001	1	Adapter Body
3	ALL	57618001	1	Retaining Ring	25	ALL	57387000	1	O-Ring
4A	ALL	58870000	1	Spinning Teeth	26	ALL	57330000	1	O-Ring
4B	ALL	58976000	1	Teeth Ring Molded	27	ALL	61358000	1	Seat & Retainer
5	ALL	66366001	1	Nozzle Tip	28	ALL	16966001	1	Body - Valve
6	ALL	62175001	1	Stem - 150 GPM@50 PSI	29	ALL	44283000	1	Label - Open & Close
6	ALL	62170001	1	Stem - 175 GPM@75 PSI	30	ALL	61269000	1	Socket Set Screw S/S
6	ALL	62089001	1	Stem - 150 GPM@75 PSI	31	ALL	63708000	1	Screw - Pivot (S/S)
6	ALL	62096001	1	Stem - 125 GPM@75 PSI	32	ALL	57348000	1	O-Ring
6	ALL	62051001	1	Stem - 150 GPM@100 PSI	33	ALL	17304000	1	Ball - 1.375 (Acetal)
6	ALL	62050001	1	Stem - 125 GPM@100 PSI	34A	ALL	36086004	1	Horseshoe Handle - Chrome (STD)
6	ALL	62049001	1	Stem - 95 GPM@100 PSI	34B	ALL	36277004	1	Tab Handle - Chrome
6	ALL	62047001	1	Stem - 60 GPM@100 PSI	35	ALL	61286000	1	Screw - Actuator Shaft (S/S)
7	ALL	57398000	2	O-Ring	36	ALL	63755000	1	Shaft - Actuator (Square)
8	ALL	58931000	1	Ring Retainer	37	ALL	57298000	1	O-Ring
9	ALL	57430000	1	O-Ring	38	4000-17	33781001	1	Pistol Grip - Elk-O-Lite (STD)*
10	ALL	16913001	1	Barrel Center	39	4000-17	61040000	1	Screw S/S
11	ALL	17148001	1	Body (Tip) Nozzle	40A1	4000-16	10022001	1	Adapter Base (1.5" NHT Swivel)
12	ALL	57420000	1	O-Ring	40A2	4000-16	15018000	32	.187 Ball S/S (1.5" NHT Swivel)
13	ALL	57661000	1	Ring - Split	40A3	4000-16	63068001	1	1.5 Swivel (1.5" NHT Swivel)
14	ALL	71114001	1	Washer	40A4	4000-16	63674000	1	Set Screw (1.5" NHT Swivel)
15	ALL	57310000	2	O-Ring	40A5	4000-16	33074000	1	Gasket - Rubber (1.5" NHT Swivel)
16	ALL	65129000	2	Torx Screw	40C1	4000-17	11611001	1	Adapter - Base (1.5" NHT Free Swivel)
17	ALL	44300000	1	Label - Stream Pattern	40C2	4000-17	63674000	1	Screw Set (1.5" NHT Free Swivel)
18	ALL	61670001	1	Sleeve Tip	40C3	4000-17	57309000	1	O-Ring (1.5" NHT Free Swivel)
19	ALL	63602001	1	Spacer	40C4	4000-17	15018000	32	.187 Ball S/S (1.5" NHT Free Swivel)
20	ALL	63404001	1	Base (Web) Stem	40C5	4000-17	16765001	1	Base (1.5" NHT Free Swivel)
21	ALL	SPECIFY	1	Label - Identification	40C6	4000-17	33074000	1	Gasket - Rubber (1.5" NHT Free Swivel)
22	ALL	17133001	1	Body (Base) Nozzle					

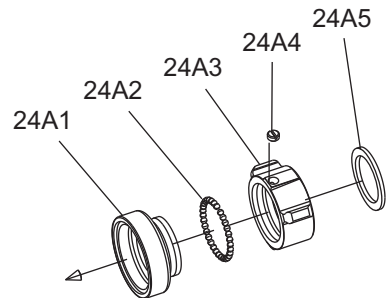
	ELKHART BRASS MFG. CO., INC. ELKHART, INDIANA
THIS DRAWING CONTAINS INFORMATION THAT IS PROPRIETARY TO ELKHART BRASS MFG. CO., INC. AND MAY NOT BE USED TO PRODUCE ANY PARTS, ASSEMBLIES OR PRODUCTS DESCRIBED HEREIN WITHOUT EXPRESS WRITTEN PERMISSION.	
CHIEF NOZZLES PAGE 14 OF 19 03/2008	PART LIST

\* RECOMMENDED WITH FREE SWIVEL BASE ONLY

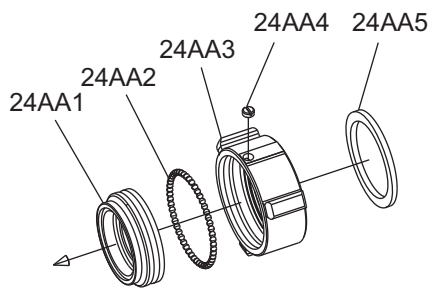
**CHIEF TIP  
(4000-22, 4000-24)**



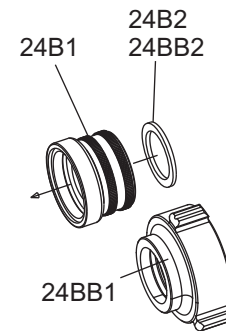
**BASE OPTIONS**



1.5" SWIVEL (STD)



2.5" SWIVEL (STD)



\*1.5" OR 2.5" RIGID (OPT)



ELKHART BRASS MFG. CO., INC.  
ELKHART, INDIANA


THIS DRAWING CONTAINS INFORMATION THAT IS PROPRIETARY TO ELKHART BRASS MFG. CO., INC. AND MAY NOT BE USED TO PRODUCE ANY PARTS, ASSEMBLIES OR PRODUCTS DESCRIBED HEREIN WITHOUT EXPRESS WRITTEN PERMISSION.

CHIEF TIPS  
PAGE 15 OF 19  
03/2013

PART  
DRAWING

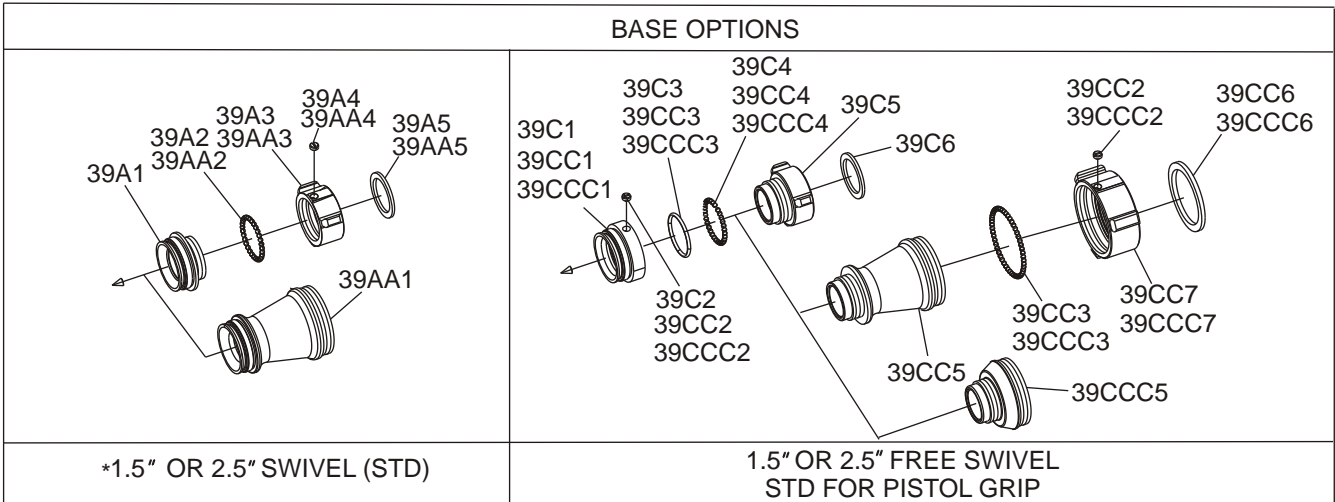
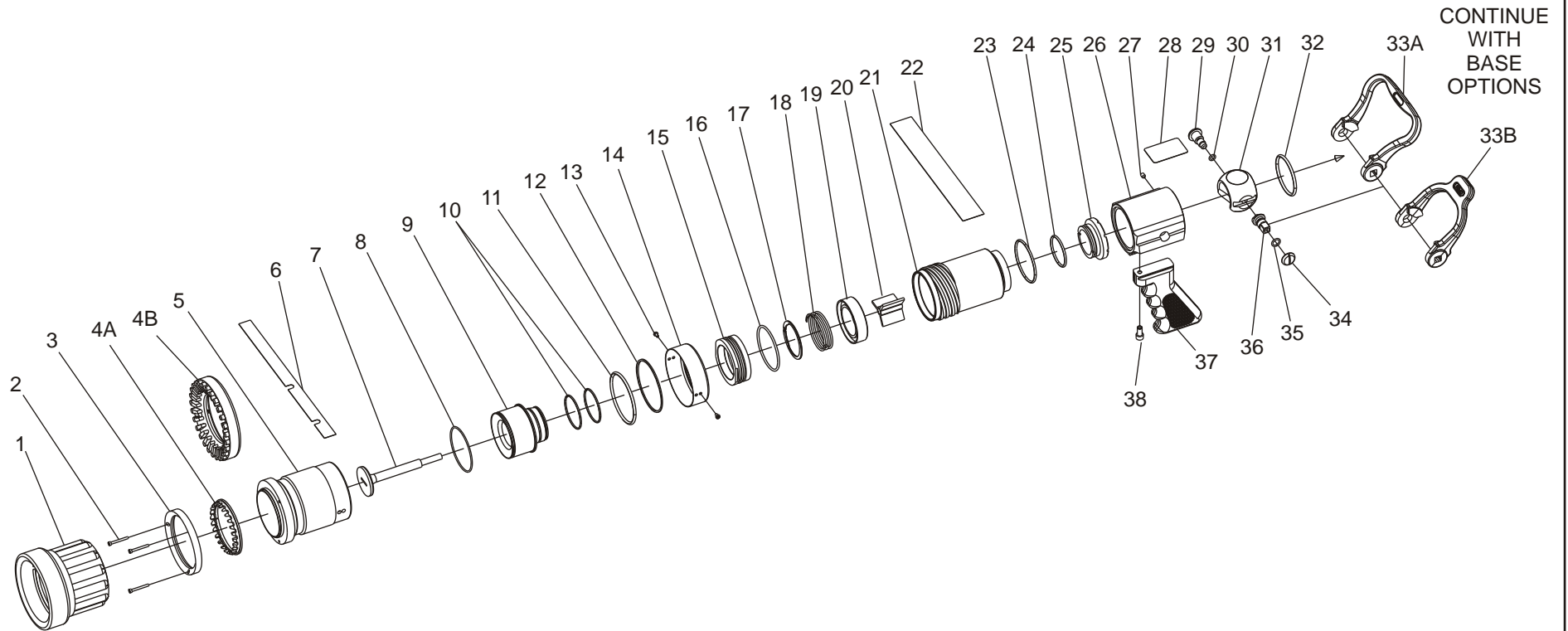
**CHIEF TIPS**  
**(4000-22, 4000-24)**

INDEX #	MODEL	PART #	QTY	DESCRIPTION	INDEX #	MODEL	PART #	QTY	DESCRIPTION
1	ALL	33659000	1	Bumper - Orange (STD)	11	ALL	71117001	1	Washer
2	ALL	64070000	3	Cap Screw	12	ALL	65129000	2	Torx Screw
3	ALL	57631001	1	Retaining Ring	13	ALL	61672001	1	Sleeve - Tip
4A	ALL	58875000	1	Spinning Teeth	14	ALL	44301000	1	Label - Stream Pattern
4B	ALL	58979000	1	Teeth Ring Molded	15	ALL	17146001	1	Body - Nozzle Tip
5	4000-24	66361001	1	Nozzle Tip	16	ALL	57383000	1	O-Ring
5	4000-22	66376001	1	Nozzle Tip	17	ALL	65129000	2	Torx Screw
6	ALL	SPECIFY	1	Stem Nozzle	17	ALL	57689000	1	Retaining Ring
6	ALL	69053001	1	Stem - 250 GPM@50 PSI	18	ALL	61786000	1	Spring - Coil
6	ALL	62188001	1	Stem - 200 GPM@50 PSI	19	ALL	63597001	1	Spacer
6	ALL	69056001	1	Stem - 185 GPM@75 PSI	20	ALL	63404001	1	Base Stem (Web)
6	ALL	62095001	1	Stem - 200 GPM@75 PSI	21	ALL	SPECIFY	1	Label - Identification
6	ALL	62173001	1	Stem - 250 GPM@75 PSI	22	ALL	17129001	1	Body - Nozzle
6	ALL	69055001	1	Stem - 275 GPM@75 PSI	23	ALL	57387000	1	O-Ring
6	ALL	69054001	1	Stem - 300 GPM@75 PSI	24A1	ALL	10332001	1	Adapter (1.5" NHT Swivel)
6	ALL	69059001	1	Stem - 350 GPM@100 PSI	24A2	ALL	15018000	32	.187 Ball S/S (1.5" NHT Swivel)
6	ALL	69057001	1	Stem - 325 GPM@100 PSI	24A3	ALL	63068001	1	1.5" Swivel (1.5" NHT Swivel)
6	ALL	62052001	1	Stem - 250 GPM@100 PSI	24A4	ALL	63674000	1	Screw Set (1.5" NHT Swivel)
6	ALL	62072001	1	Stem - 200 GPM@100 PSI	24A5	ALL	33074000	1	Gasket - Rubber (1.5" NHT Swivel)
6	ALL	62054001	1	Stem - 175 GPM@100 PSI	24AA1	ALL	10339001	1	Adapter (2.5" NHT Swivel)
7	ALL	57477000	1	O-Ring	24AA2	ALL	15018000	52	.187 Ball S/S (2.5" NHT Swivel)
8A	4000-24	17475001	1	Barrel Center	24AA3	ALL	63069001	1	2.5" Swivel (2.5" NHT Swivel)
8B1	4000-22	17483001	1	Barrel Center (Front)	24AA4	ALL	63674000	1	Screw Set (2.5" NHT Swivel)
8B2	4000-22	57482000	1	O-Ring	24AA5	ALL	33083000	1	Gasket - Rubber (2.5" NHT Swivel)
8B3	4000-22	57633000	1	Retaining Ring	24B1	ALL	15445001	1	Base (1.5" NHT Rigid)
8B4	4000-22	17484001	1	Barrel Center (Rear)	24B2	ALL	33074000	1	Gasket - Rubber (1.5" NHT Rigid)
9	ALL	57430000	2	O-Ring	24BB1	ALL	12101001	1	Base (2.5" NHT Rigid)
10	4000-24	57375000	1	O-Ring	24BB2	ALL	33083000	1	Gasket - Rubber (2.5" NHT Rigid)
10	4000-22	57386000	1	O-Ring					

	ELKHART BRASS MFG. CO., INC. ELKHART, INDIANA
THIS DRAWING CONTAINS INFORMATION THAT IS PROPRIETARY TO ELKHART BRASS MFG. CO., INC. AND MAY NOT BE USED TO PRODUCE ANY PARTS, ASSEMBLIES OR PRODUCTS DESCRIBED HEREIN WITHOUT EXPRESS WRITTEN PERMISSION.	
CHIEF TIPS PAGE 16 OF 19 03/2013	PART LIST



# CHIEF NOZZLES (4000-20, 4000-23, 4000-26, 4000-28)



**ELKHART BRASS MFG. CO., INC.**  
 ELKHART, INDIANA

THIS DRAWING CONTAINS INFORMATION THAT IS PROPRIETARY TO ELKHART BRASS MFG. CO., INC. AND MAY NOT BE USED TO PRODUCE ANY PARTS, ASSEMBLIES OR PRODUCTS DESCRIBED HEREIN WITHOUT EXPRESS WRITTEN PERMISSION.


CHIEF NOZZLES  
 PAGE 17 OF 19  
 03/2008

PART  
 DRAWING

NOT RECOMMENDED FOR PISTOL

**CHIEF NOZZLES**  
**(4000-20, 4000-23, 4000-26, 4000-28)**


INDEX #	MODEL	PART #	QTY	DESCRIPTION	INDEX #	MODEL	PART #	QTY	DESCRIPTION
1	ALL	33659000	1	Bumper - Orange (STD)	16	ALL	57383000	1	O-Ring
2	ALL	64070000	3	Cap Screw	17	ALL	57689000	1	Retaining Ring
3	ALL	57631001	1	Retaining Ring	18	ALL	61786000	1	Spring - Coil
4A	ALL	58875000	1	Spinning Teeth	19	ALL	63597001	1	Spacer
4B	ALL	58979000	1	Teeth Ring Molded	20	ALL	63404001	1	Base (Web) Stem
5	ALL	66361001	1	Nozzle Tip	21	ALL	SPECIFY	1	Label - Identification
6	ALL	44301000	1	Label - Stream Pattern	22	ALL	17129001	1	Body - Nozzle
7	ALL	69053001	1	Stem - 250 GPM@50 PSI	23	ALL	57387000	1	O-Ring
7	ALL	62188001	1	Stem - 200 GPM@50 PSI	24	ALL	57330000	1	O-Ring
7	ALL	69056001	1	Stem - 185 GPM@75 PSI	25	ALL	61358000	1	Seat & Retainer
7	ALL	62095001	1	Stem - 200 GPM@75 PSI	26	ALL	16966001	1	Body - Valve
7	ALL	62173001	1	Stem - 250 GPM@75 PSI	27	ALL	61269000	1	Socket Set Screw S/S
7	ALL	69055001	1	Stem - 275 GPM@75 PSI	28	ALL	44299000	1	Label
7	ALL	69054001	1	Stem - 300 GPM@75 PSI	29	ALL	63708000	1	Screw - Pivot S/S
7	ALL	69059001	1	Stem - 350 GPM@100 PSI	30	ALL	57348000	1	O-Ring
7	ALL	69057001	1	Stem - 325 GPM@100 PSI	31	ALL	17304000	1	1.375 Valve Ball
7	ALL	62052001	1	Stem - 250 GPM@100 PSI	32	ALL	57310000	1	O-Ring
7	ALL	62072001	1	Stem - 200 GPM@100 PSI	33A	ALL	36086004	1	Horseshoe Handle - Chrome (STD)
7	ALL	62054001	1	Stem - 175 GPM@100 PSI	33B	ALL	36277004	1	Tab Handle - Chrome
8	ALL	57477000	1	O-Ring	34	ALL	61286000	1	Screw - Actuator Shaft S/S
9	ALL	17475001	1	Barrel Center	35	ALL	57298000	1	O-Ring
10	ALL	57430000	2	O-Ring	36	ALL	63755000	1	Shaft - Actuator (Square)
11	ALL	57375000	1	O-Ring	37	4000-23	33781001	1	Pistol Grip - Elk-O-Lite (STD)*
12	ALL	71117001	1	Washer	37	4000-28	33781001	1	Pistol Grip - Elk-O-Lite (STD)*
13	ALL	65129000	2	Torx Screw	38	4000-23	61040000	1	Screw S/S
14	ALL	61672001	1	Sleeve - Tip	38	4000-28	61040000	1	Screw S/S
15	ALL	17146001	1	Body-Nozzle Tip					

 <b>ELKHART BRASS MFG. CO., INC.</b> ELKHART, INDIANA	
<small>THIS DRAWING CONTAINS INFORMATION THAT IS          PROPRIETARY TO ELKHART BRASS MFG. CO., INC.          AND MAY NOT BE USED TO PRODUCE ANY PARTS,          ASSEMBLIES OR PRODUCTS DESCRIBED HEREIN          WITHOUT EXPRESS WRITTEN PERMISSION.</small>	
CHIEF NOZZLES PAGE 18 OF 19 03/2008	PART LIST

\*RECOMMENDED WITH FREE SWIVEL BASE ONLY

**CHIEF NOZZLES**  
**(4000-20, 4000-23, 4000-26, 4000-28)**

INDEX #	MODEL	PART #	QTY	DESCRIPTION	INDEX #	MODEL	PART #	QTY	DESCRIPTION
39A1	4000-20	10022001	1	Adapter - Base (1.5" NHT Swivel)	39CC1	4000-26	11611001	1	Adapter - Base (2.5" NHT F/S Long)
39A1	4000-23	10022001	1	Adapter - Base (1.5" NHT Swivel)	39CC1	4000-28	11611001	1	Adapter - Base (2.5" NHT F/S Long)
39A2	4000-20	15018000	32	.187 Ball S/S (1.5" NHT Swivel)	39CC2	4000-26	63674000	2	Screw Set (2.5" NHT F/S Long)
39A2	4000-23	15018000	32	.187 Ball S/S (1.5" NHT Swivel)	39CC2	4000-28	63674000	2	Screw Set (2.5" NHT F/S Long)
39A3	4000-20	63068001	1	1.5" Swivel (1.5" NHT Swivel)	39CC3	4000-26	57309000	1	O-Ring (2.5" NHT F/S Long)
39A3	4000-23	63068001	1	1.5" Swivel (1.5" NHT Swivel)	39CC3	4000-28	57309000	1	O-Ring (2.5" NHT F/S Long)
39A4	4000-20	63674000	1	Screw Set (1.5" NHT Swivel)	39CC4	4000-26	15018000	84	.187 Ball S/S (2.5" NHT F/S Long)
39A4	4000-23	63674000	1	Screw Set (1.5" NHT Swivel)	39CC4	4000-28	15018000	84	.187 Ball S/S (2.5" NHT F/S Long)
39A5	4000-20	33074000	1	Gasket-Rubber (1.5" NHT Swivel)	39CC5	4000-26	15634001	1	Base (2.5" NHT F/S Long)
39A5	4000-23	33074000	1	Gasket-Rubber (1.5" NHT Swivel)	39CC5	4000-28	15634001	1	Base (2.5" NHT F/S Long)
39AA1	4000-26	15623001	1	Base Adapter (2.5" NHT Swivel)	39CC6	4000-26	33083000	1	Gasket - Rubber (2.5" NHT F/S Long)
39AA1	4000-28	15623001	1	Base Adapter (2.5" NHT Swivel)	39CC6	4000-28	33083000	1	Gasket - Rubber (2.5" NHT F/S Long)
39AA2	4000-26	15018000	52	.187 Ball S/S (2.5" NHT Swivel)	39CC7	4000-26	63069001	1	Swivel (2.5" NHT F/S Long)
39AA2	4000-28	15018000	52	.187 Ball S/S (2.5" NHT Swivel)	39CC7	4000-28	63069001	1	Swivel (2.5" NHT F/S Long)
39AA3	4000-26	63069001	1	2.5" Swivel (2.5" NHT Swivel)	39CCC1	4000-26	11611001	1	Adapter - Base (2.5" NHT F/S Short)
39AA3	4000-28	63069001	1	2.5" Swivel (2.5" NHT Swivel)	39CCC1	4000-28	11611001	1	Adapter - Base (2.5" NHT F/S Short)
39AA4	4000-26	63674000	1	Screw Set (2.5" NHT Swivel)	39CCC2	4000-26	63674000	2	Screw Set (2.5" NHT F/S Short)
39AA4	4000-28	63674000	1	Screw Set (2.5" NHT Swivel)	39CCC2	4000-28	63674000	2	Screw Set (2.5" NHT F/S Short)
39AA5	4000-26	33083000	1	Gasket-Rubber (2.5" NHT Swivel)	39CCC3	4000-26	57309000	1	O-Ring (2.5" NHT F/S Short)
39AA5	4000-28	33083000	1	Gasket-Rubber (2.5" NHT Swivel)	39CCC3	4000-28	57309000	1	O-Ring (2.5" NHT F/S Short)
39C1	4000-20	11611001	1	Adapter - Base (1.5" NHT Free Swivel)	39CCC4	4000-26	15018000	84	.187 Ball S/S (2.5" NHT F/S Short)
39C1	4000-23	11611001	1	Adapter - Base (1.5" NHT Free Swivel)	39CCC4	4000-28	15018000	84	.187 Ball S/S (2.5" NHT F/S Short)
39C2	4000-20	63674000	1	Screw Set (1.5" NHT Free Swivel)	39CCC5	4000-26	15633001	1	Base (2.5" NHT F/S Short)
39C2	4000-23	63674000	1	Screw Set (1.5" NHT Free Swivel)	39CCC5	4000-28	15633001	1	Base (2.5" NHT F/S Short)
39C3	4000-20	57309000	1	O-Ring (1.5" NHT Free Swivel)	39CCC6	4000-26	33083000	1	Gasket - Rubber (2.5" NHT F/S Short)
39C3	4000-23	57309000	1	O-Ring (1.5" NHT Free Swivel)	39CCC6	4000-28	33083000	1	Gasket - Rubber (2.5" NHT F/S Short)
39C4	4000-20	15018000	32	.187 Ball S/S (1.5" NHT Free Swivel)	39CCC7	4000-26	63069001	1	Swivel (2.5" NHT F/S Short)
39C4	4000-23	15018000	32	.187 Ball S/S (1.5" NHT Free Swivel)	39CCC7	4000-28	63069001	1	Swivel (2.5" NHT F/S Short)
39C5	4000-20	16765001	1	1.5" Base (1.5" NHT Free Swivel)					
39C5	4000-23	16765001	1	1.5" Base (1.5" NHT Free Swivel)					
39C6	4000-20	33074000	1	Gasket - Rubber (1.5" NHT Free Swivel)					
39C6	4000-23	33074000	1	Gasket - Rubber (1.5" NHT Free Swivel)					

 <b>ELKHART BRASS MFG. CO., INC.</b> ELKHART, INDIANA	
<small>THIS DRAWING CONTAINS INFORMATION THAT IS PROPRIETARY TO ELKHART BRASS MFG. CO., INC. AND MAY NOT BE USED TO PRODUCE ANY PARTS, ASSEMBLIES OR PRODUCTS DESCRIBED HEREIN WITHOUT EXPRESS WRITTEN PERMISSION.</small>	
CHIEF NOZZLES PAGE 19 OF 19 03/2008	PART LIST

\*RECOMMENDED WITH FREE SWIVEL BASE ONLY

## BASE OPTIONS KEY\*

### LETTER

DESIGNATION	BASE DESCRIPTION
A	1.0" or 1.5" Swivel
AA	2.5" Swivel (Long)
B	1.0" or 1.5" Rigid
BB	2.5" Rigid
C	1.0" or 1.5" Free Swivel
CC	2.5" Free Swivel (Long)
CCC	2.5" Free Swivel (Short)

\*Not all base options will be available with every tip and/or nozzle.

All nozzles are NHT unless otherwise specified. Inquire with our sales staff about other thread options.



ELKHART BRASS MFG. CO., INC.  
ELKHART, INDIANA

THIS DRAWING CONTAINS INFORMATION THAT IS  
PROPRIETARY TO ELKHART BRASS MFG. CO., INC.  
AND MAY NOT BE USED TO PRODUCE ANY PARTS,  
ASSEMBLIES OR PRODUCTS DESCRIBED HEREIN  
WITHOUT EXPRESS WRITTEN PERMISSION.

BASE OPTIONS  
KEY  
04/2008