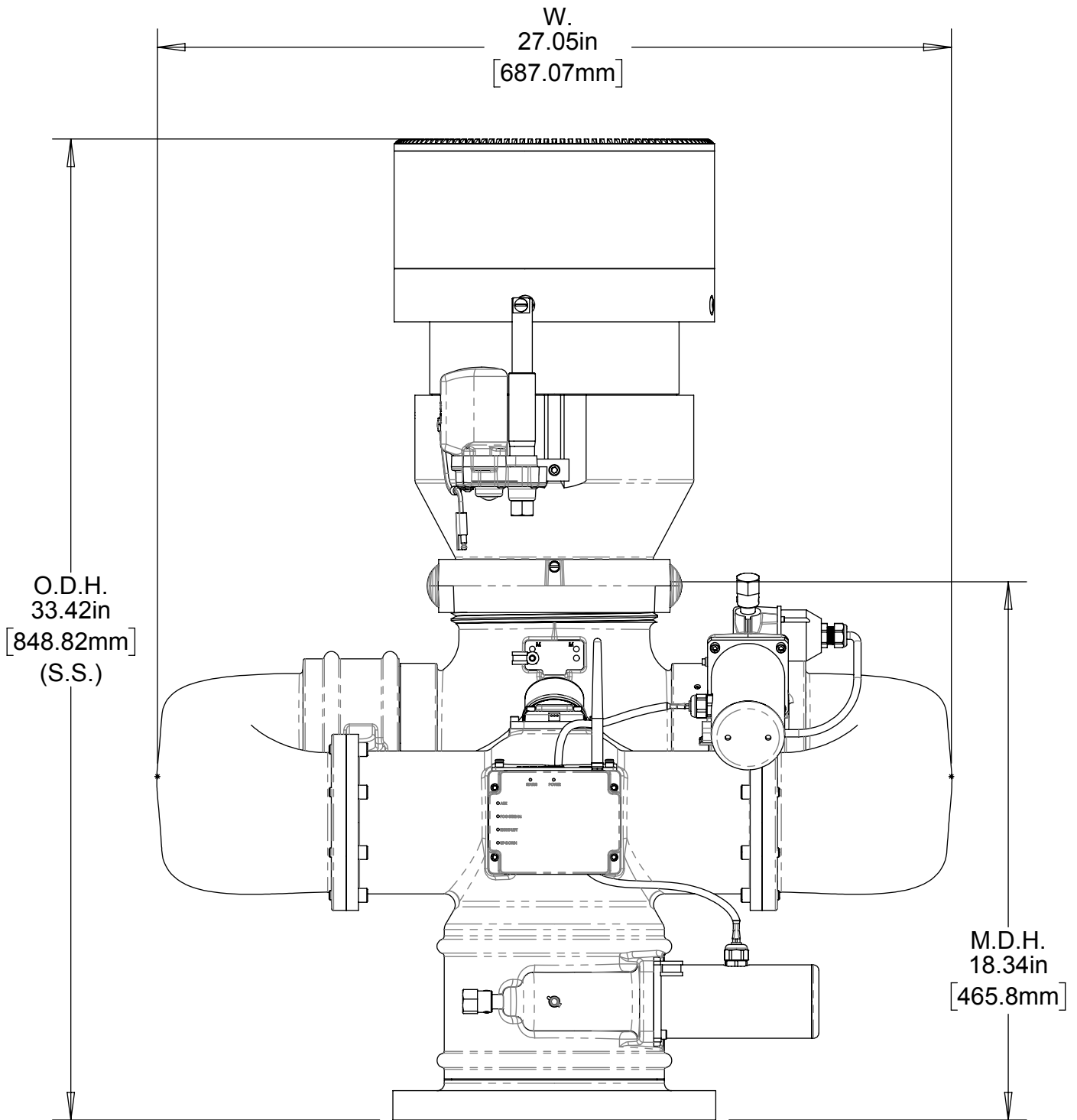



THIS DRAWING CONTAINS INFORMATION THAT IS PROPRIETARY TO ELKHART BRASS MFG CO., INC. AND MAY NOT BE USED TO PRODUCE ANY PARTS, ASSEMBLIES OR PRODUCTS DESCRIBED HEREIN WITHOUT EXPRESS WRITTEN PERMISSION

MAGNUM-EXM 7600-EXM
PAGE 1 OF 5
04/04/2017

BASE
DIMENSIONAL

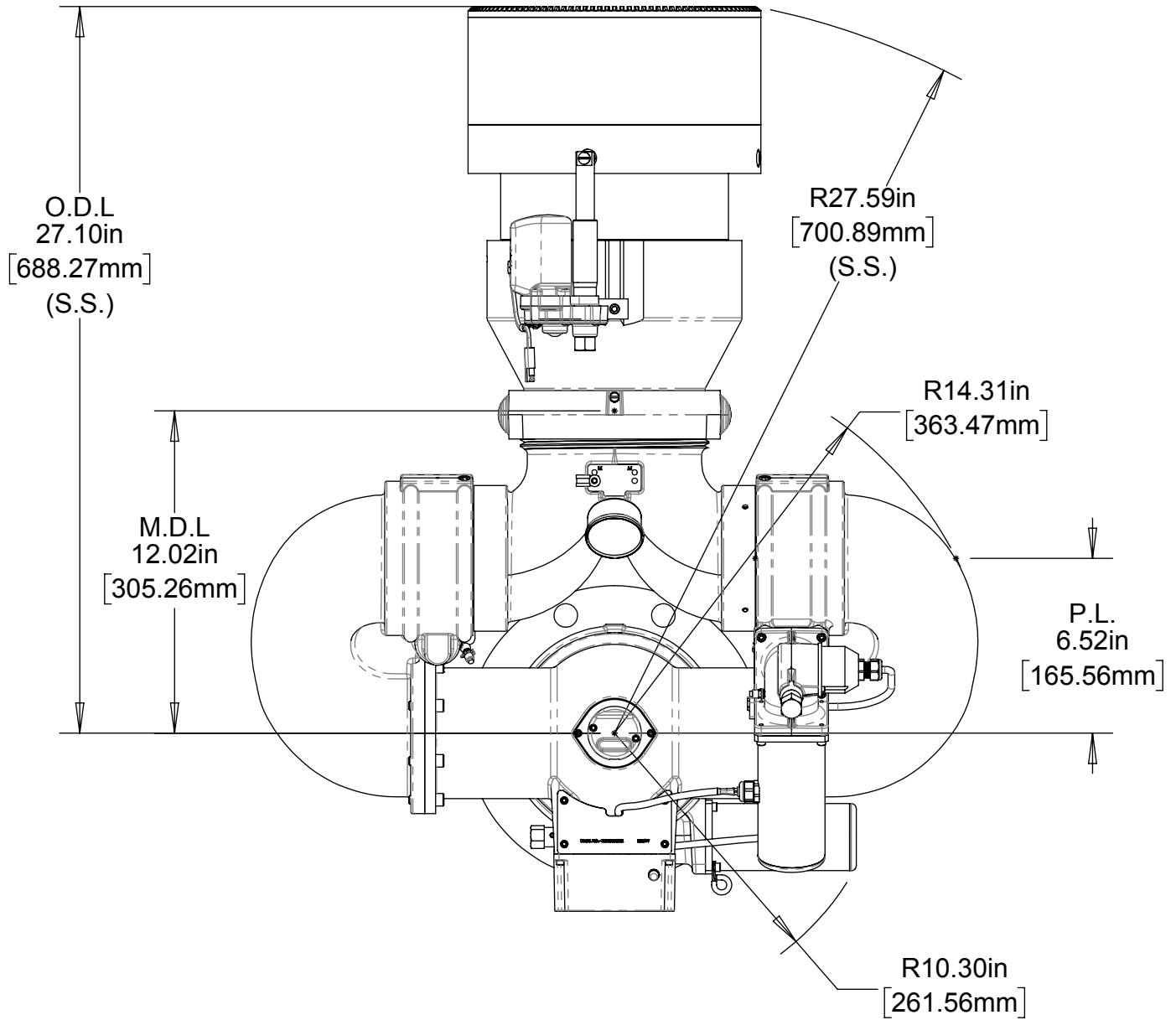


DIMENSIONAL ABBREVIATION KEY	
ABBREVIATION	DESCRIPTION
W.	Width
O.D.H.	Overall Discharge Height
M.D.H.	Monitor Discharge Height
S.S.	Straight Stream

 **ELKHART BRASS**
Fire Fighting Equipment

THIS DRAWING CONTAINS INFORMATION THAT IS PROPRIETARY TO ELKHART BRASS MFG CO., INC. AND MAY NOT BE USED TO PRODUCE ANY PARTS, ASSEMBLIES OR PRODUCTS DESCRIBED HEREIN WITHOUT EXPRESS WRITTEN PERMISSION

MAGNUM-EXM 7600-EXM	BACK VIEW
PAGE 2 OF 5	DIMENSIONAL
04/04/2017	



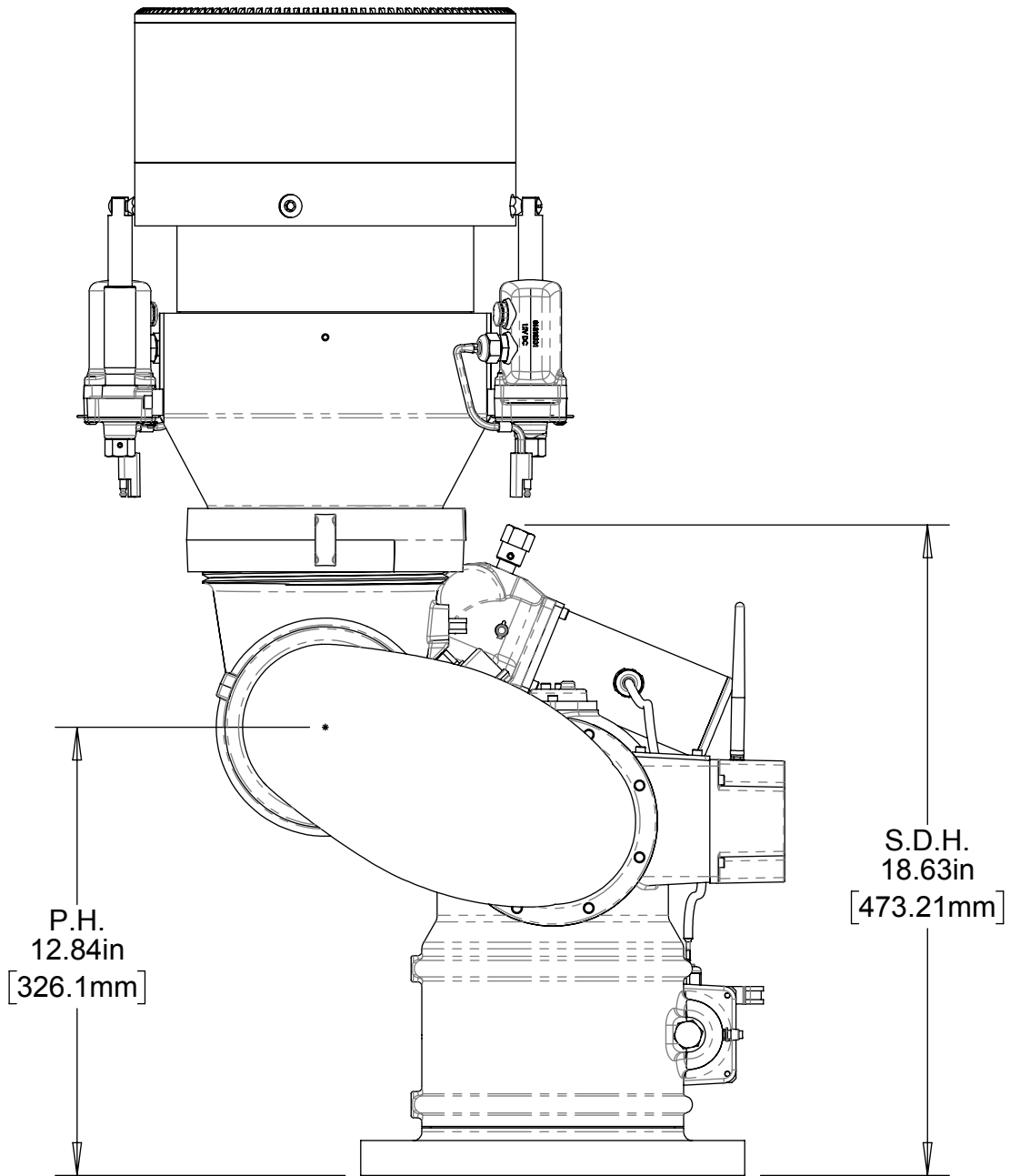
DIMENSIONAL ABBREVIATION KEY	
ABBREVIATION	DESCRIPTION
O.D.L.	Overall Discharge Length
M.D.L.	Monitor Discharge Length
P.L.	Pivot Length
S.S.	Straight Stream

ELKHART BRASS
Fire Fighting Equipment

THIS DRAWING CONTAINS INFORMATION THAT IS PROPRIETARY TO ELKHART BRASS MFG CO., INC. AND MAY NOT BE USED TO PRODUCE ANY PARTS, ASSEMBLIES OR PRODUCTS DESCRIBED HEREIN WITHOUT EXPRESS WRITTEN PERMISSION

MAGNUM-EXM 7600-EXM
PAGE 3 OF 5
04/04/2017

TOP VIEW
DIMENSIONAL



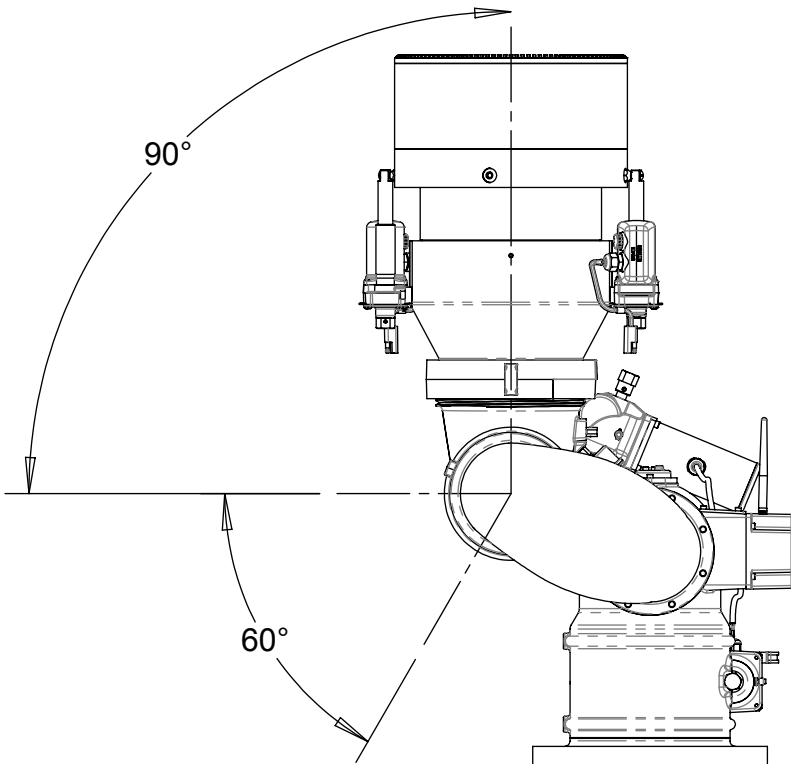
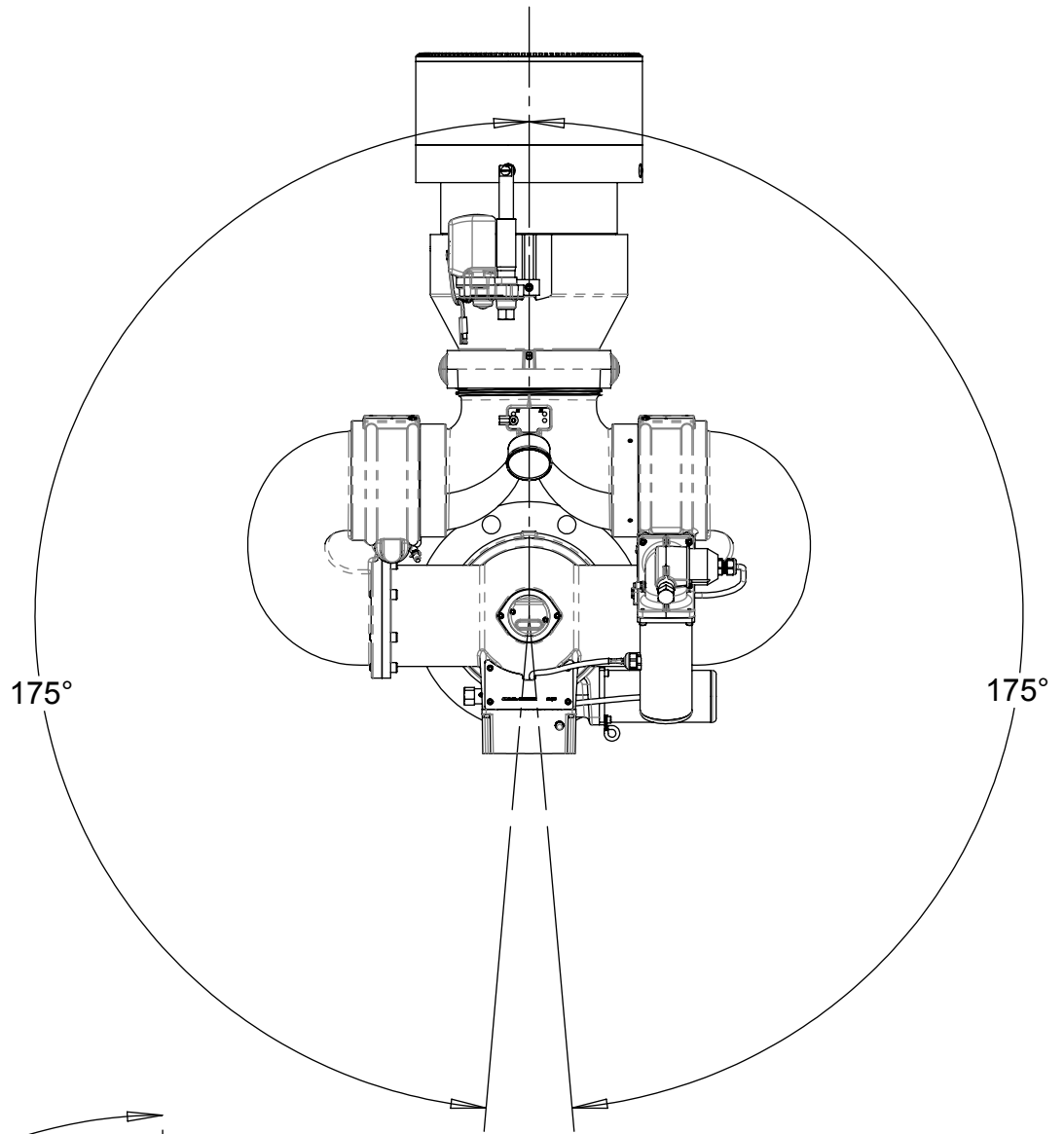
DIMENSIONAL ABBREVIATION KEY	
ABBREVIATION	DESCRIPTION
P.H.	Pivot Height
S.D.H.	Stow Down Height




THIS DRAWING CONTAINS INFORMATION THAT IS PROPRIETARY TO ELKHART BRASS MFG CO., INC. AND MAY NOT BE USED TO PRODUCE ANY PARTS, ASSEMBLIES OR PRODUCTS DESCRIBED HEREIN WITHOUT EXPRESS WRITTEN PERMISSION

MAGNUM-EXM 7600-EXM
PAGE 4 OF 5
04/04/2017

SIDE VIEW
DIMENSIONAL



 ELKHART BRASS Fire Fighting Equipment	
<small>THIS DRAWING CONTAINS INFORMATION THAT IS PROPRIETARY TO ELKHART BRASS MFG CO., INC. AND MAY NOT BE USED TO PRODUCE ANY PARTS, ASSEMBLIES OR PRODUCTS DESCRIBED HEREIN WITHOUT EXPRESS WRITTEN PERMISSION</small>	
MAGNUM-EXM 7600-EXM PAGE 5 OF 5 04/04/2017	RANGE OF MOTION