
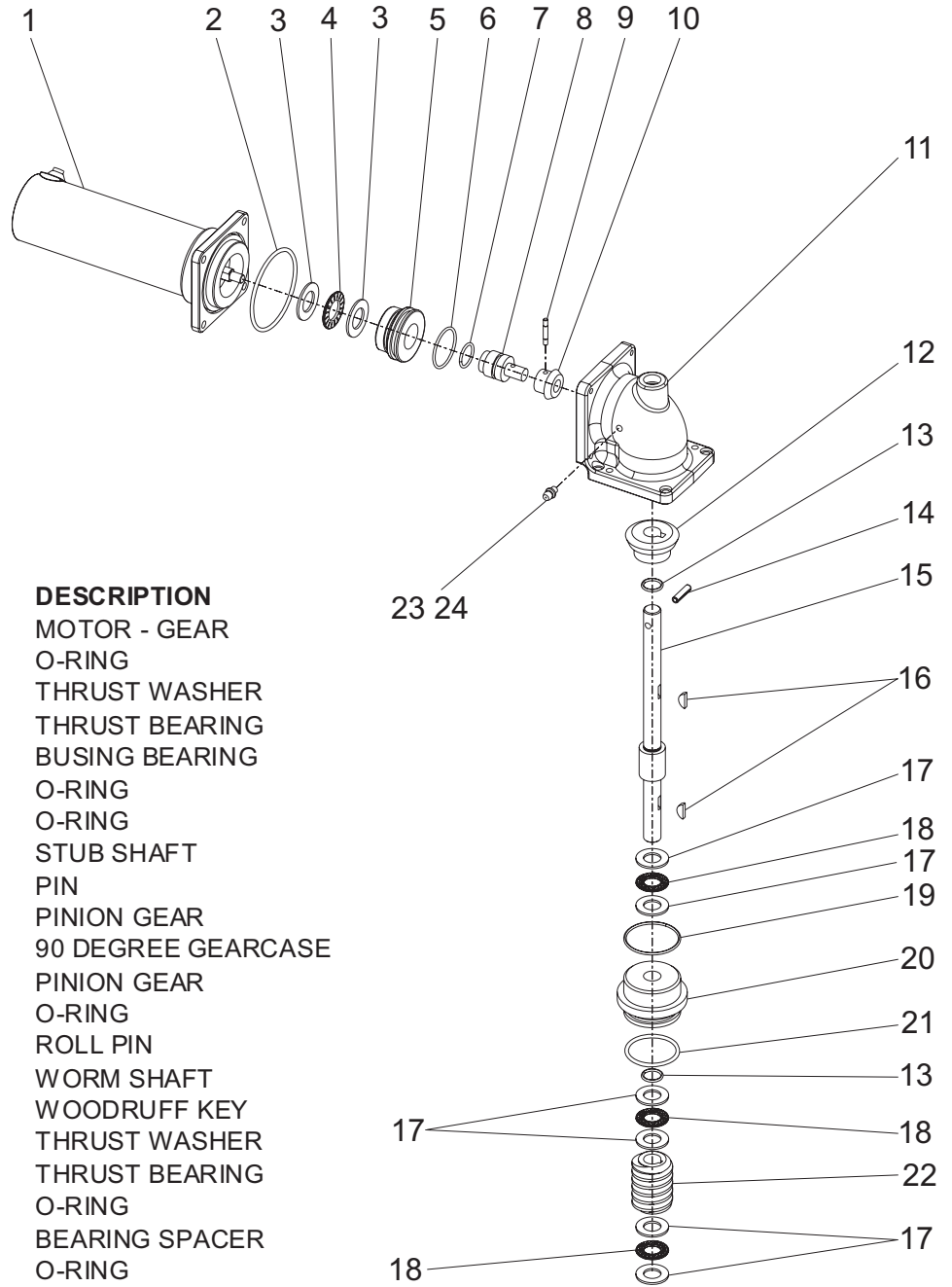
 <b>ELKHART BRASS MFG. CO., INC.</b> ELKHART, INDIANA	
THIS DRAWING CONTAINS INFORMATION THAT IS PROPRIETARY TO ELKHART BRASS MFG. CO., INC. AND MAY NOT BE USED TO PRODUCE ANY PARTS, ASSEMBLIES OR PRODUCTS DESCRIBED HEREIN WITHOUT EXPRESS WRITTEN PERMISSION.	
7400 SCORPION EXM PAGE 1 OF 2 05/2013	PARTS DRAWING

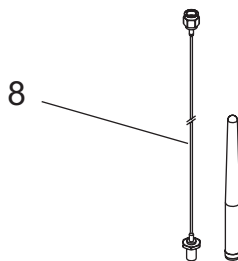
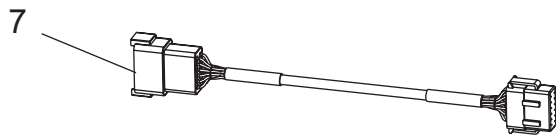
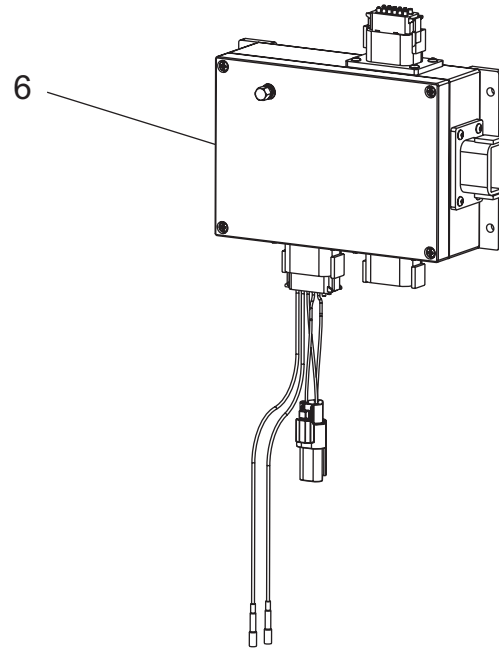
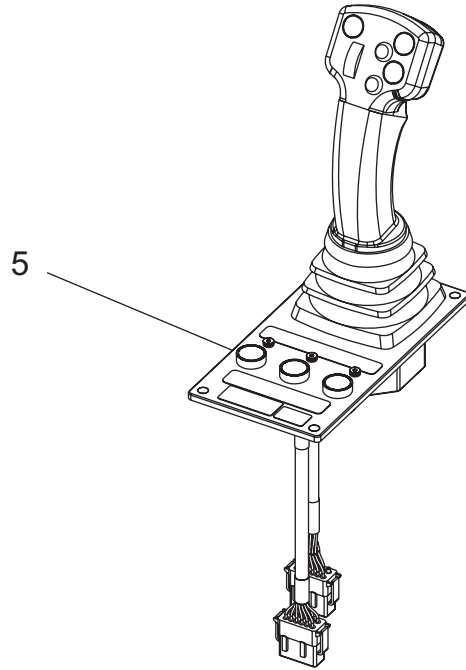
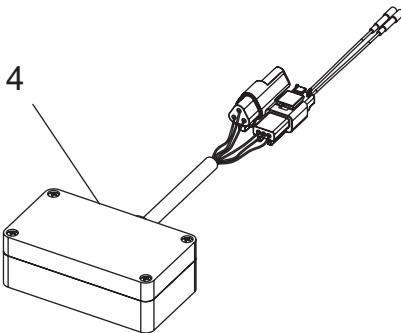
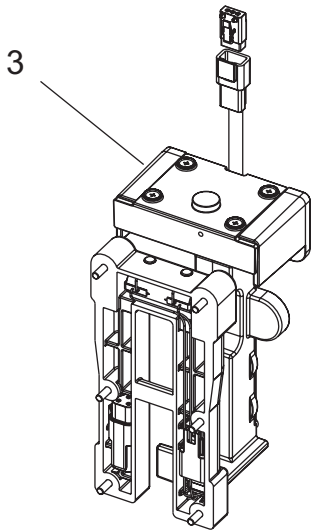
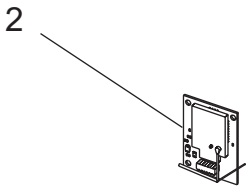
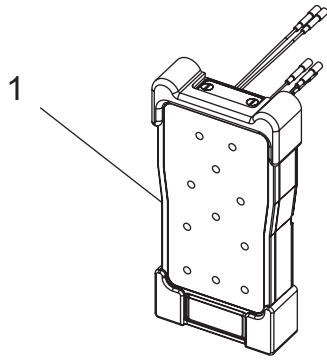
**SCORPION EXM (7400-EXM)**


INDEX #	PART #	QTY	DESCRIPTION
1	65146000	4	Button Hd Cap Screw
2	23676001	2	Sensor Cover
3	11960001	2	Sensor Mounting Adapter
4	57397000	2	O-Ring
5	23612001	2	Bearing Cap
6	57542000	2	O-Ring
7	47764000	2	Bearing Lock Nut
8	47801001	2	Bearing Lnut
9	71525000	4	Thrust Washer
10	18303000	2	Thrust Bearing
11	57295000	2	O-Ring
12	65827400	1	Sensor - Vertical
13	65861001	1	Thrust Shaft Vertical
14A	28147001	1	Elbow - Discharge (NHT Thd)
14B	28149001	1 (OPT)	Elbow - Discharge (BSPP Thd)
15	64132000	4	Button Hd Cap Screw
16	20448000	3	Cushion Loop Clamp
17	37072000	1	Nozzle Harness
18	23735000	1	Cushion Loop Clamp
19	63789000	2	Soc Cap Screw
20	47651001	2	Nut - Override
21	61076000	1	Button Hd Cap Screw
22	31011000	2	Grease Fitting
23	61037000	14	Soc Cap Screw
24	57553000	2	O-Ring
25	15009000	172	Ball - 0.375 S/S
26	11794001	1	Ball Groove Adapter
27	57556000	2	O-Ring
28	18248001	1	Outlet Body
29	65226001	4	Soc Set Screw
30	23491000	2	Cap - Grease Fitting
31	47762001	1	Thrust Shaft Nut
32	63787000	8	Soc Cap Screw
33	18247001	1	Inlet Body
34	24502000	1	Cushion Loop Clamp
35	71176000	1	Flat Washer
36	64065000	1	Soc Cap Screw
37	23678000	1	Wire Cover
38	20449000	2	Cushion Loop Clamp
39	81634001	1	Control Module
40	64139000	3	Soc Cap Screw
41	65214000	1	Plastic Screw
42	65826400	1	Sensor - Horizontal
43	65860001	1	Thrust Shaft - Horizontal
44	11795001	1	Ball Groove Adapter
45	17805001	1	Monitor Base
46	37071000	1	Horiz. Motor Harness
47	57446000	2	O-Ring
48	65079001	2	Cam Lock Screw
49	64327001	8	Cam Lock Screw
50	59186001	1	Thrust Rod Ring
51A	10469001	1	Flange (4.0-150lb)
51B	10471001	1 (OPT)	Flange (DN100-P16)
52	37038000	1	Harness - CAN/Power Pigtail
53	37045000	1	Harness - CAN/Power
54	65210000	5	Set Screw
55	57552000	1	O-Ring
56	57557000	1	O-Ring
57	81629001	2	90 Degree Gearcase
58	51074000	4	Pin
59	37047000	1	Harness - Pigtail CAN
60	11907000	1	Antenna

	ELKHART BRASS MFG. CO., INC. ELKHART, INDIANA
<small>THIS DRAWING CONTAINS INFORMATION THAT IS PROPRIETARY TO ELKHART BRASS MFG. CO., INC. AND MAY NOT BE USED TO PRODUCE ANY PARTS, ASSEMBLIES OR PRODUCTS DESCRIBED HEREIN WITHOUT EXPRESS WRITTEN PERMISSION.</small>	
<small>7400 SCORPION EXM PAGE 2 OF 2 05/2013</small>	<small>PARTS DRAWING</small>



INDEX #	PART #	QTY	DESCRIPTION
1	46104000	1	MOTOR - GEAR
2	57383000	1	O-RING
3	71513000	2	THRUST WASHER
4	15699000	1	THRUST BEARING
5	18312001	1	BUSING BEARING
6	57337000	1	O-RING
7	57295000	1	O-RING
8	65862001	1	STUB SHAFT
9	51071000	1	PIN
10	33983001	1	PINION GEAR
11	24473001	1	90 DEGREE GEARCASE
12	33984000	1	PINION GEAR
13	57321000	2	O-RING
14	51224000	1	ROLL PIN
15	65662001	1	WORM SHAFT
16	42002000	2	WOODRUFF KEY
17	71511000	6	THRUST WASHER
18	15698000	3	THRUST BEARING
19	57482000	1	O-RING
20	65596001	1	BEARING SPACER
21	57394000	1	O-RING
22	71246000	1	WORM GEAR
23	31011000	1	GREASE FITTING
24	23491000	1	GREASE FITTING CAP



	ELKHART BRASS MFG. CO., INC. ELKHART, INDIANA	
	THIS DRAWING CONTAINS INFORMATION THAT IS PROPRIETARY TO ELKHART BRASS MFG. CO., INC. AND MAY NOT BE USED TO PRODUCE ANY PARTS, ASSEMBLIES OR PRODUCTS DESCRIBED HEREIN WITHOUT EXPRESS WRITTEN PERMISSION.	
7400 SCORPION EXM PAGE 1 OF 2 03/2011	CONTROLS PART DRAWING	

### SCORPION EXM 7400 CONTROLS

INDEX #	PART #	DESCRIPTION
1	00007010	PANEL MOUNT CONTROLLER
2	00007061	RF TRANSCEIVER MODULE
3	00007020	HANDHELD CONVERSION KIT
4	00007050	POSITION FEEDBACK MODULE
5	00007030	JOYSTICK ASSY
6	00007070	INTERFACE MODULE
7	37048000	EXTENSION HARNESS
8	00007062	RF EXTERNAL ANTENNA



ELKHART BRASS MFG. CO., INC.  
ELKHART, INDIANA

THIS DRAWING CONTAINS INFORMATION THAT IS  
PROPRIETARY TO ELKHART BRASS MFG. CO., INC.  
AND MAY NOT BE USED TO PRODUCE ANY PARTS,  
ASSEMBLIES OR PRODUCTS DESCRIBED HEREIN  
WITHOUT EXPRESS WRITTEN PERMISSION.

7400 SCORPION EXM  
PAGE 2 OF 2  
03/2011

CONTROLS  
PART  
LIST