

REV/ZONE	DISCREPION	BY	DATE
-	See Sheet	-	-

TO CIRCUIT BOARD P2

WIRE SIZE	COLOR	FUNCTION
1	PLUG	
2	PLUG	
3	PLUG	
4	18 AWG WHITE	P2-4 SIGNAL
5	18 AWG BLACK	P2-5 GND
6	18 AWG BLACK	P2-5-POWER
7	20 AWG RED	P2-7-POWER
8	PLUG	P2-8 GND
9	20 AWG BLACK	P2-9 SIGNAL
10	PLUG	
11	PLUG	
12	PLUG	

VIEW FROM WIRE SIDE

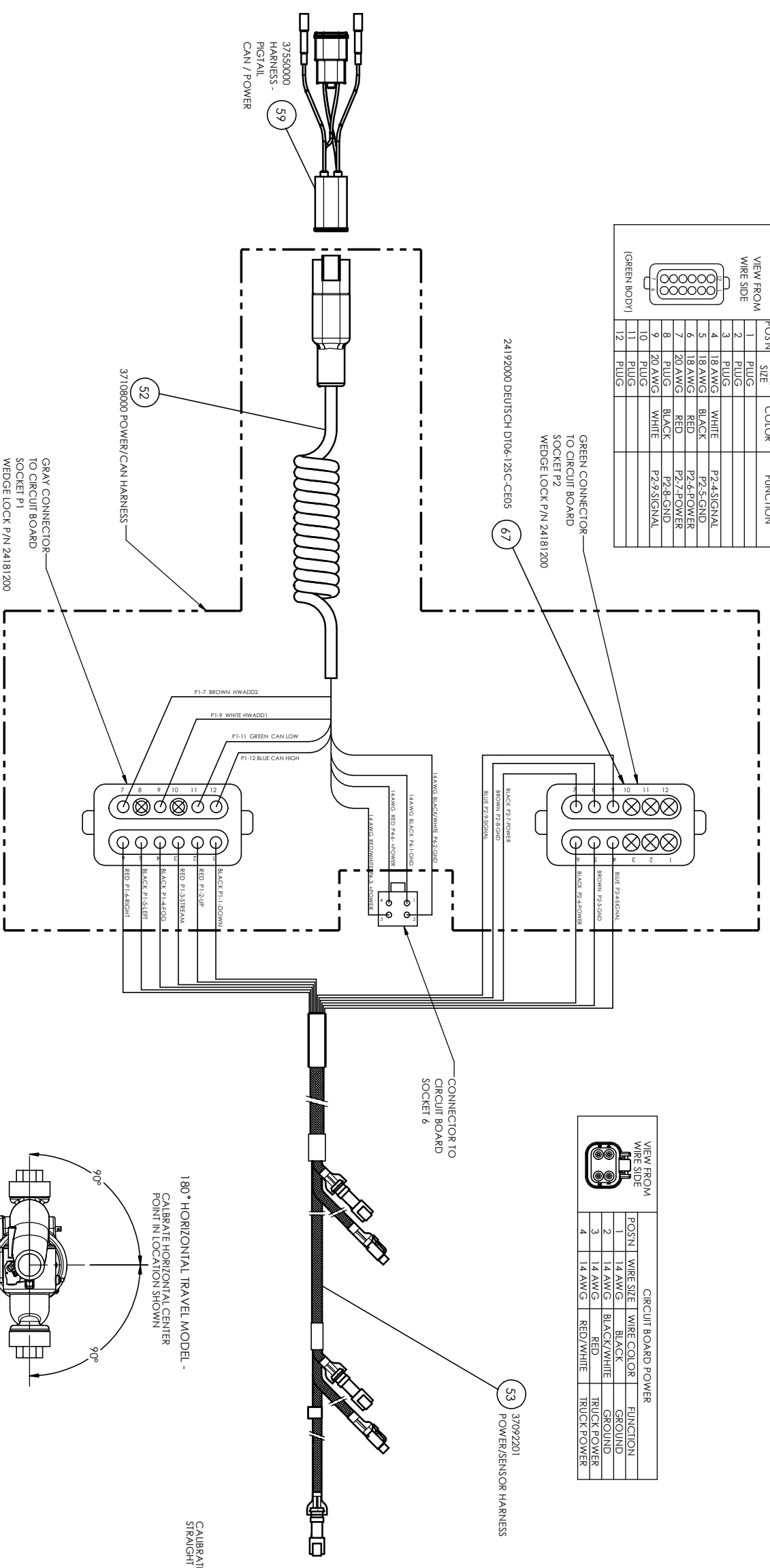
(GREEN BODY)

CIRCUIT BOARD POWER

POSTN	WIRE SIZE	WIRE COLOR	FUNCTION
1	14 AWG	BLACK	GROUND
2	14 AWG	BLACK/WHITE	GROUND
3	14 AWG	RED	TRUCK POWER
4	14 AWG	RED/WHITE	TRUCK POWER

VIEW FROM WIRE SIDE

(GRAY BODY)

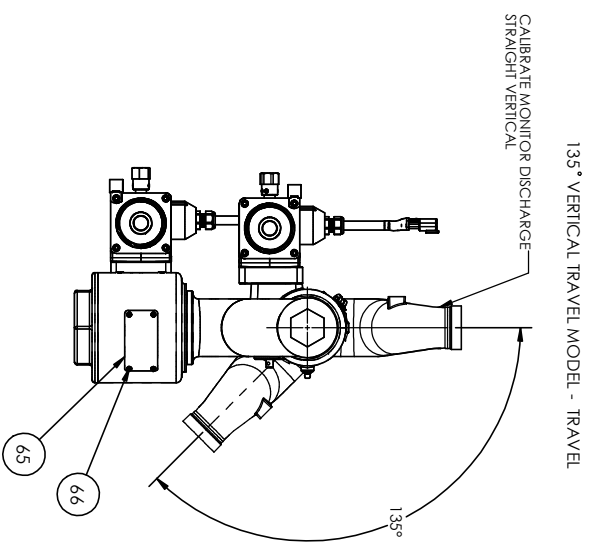
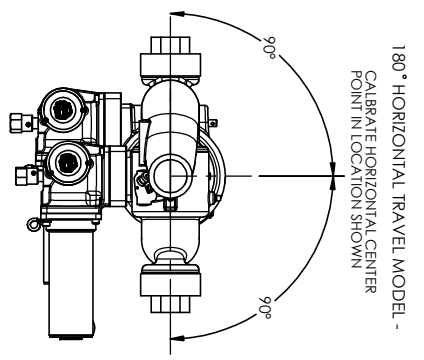


TO CIRCUIT BOARD P1

POSTN	WIRE SIZE	COLOR	FUNCTION
1	18 AWG	BLACK	P1-1-DOWN
2	18 AWG	RED	P1-2-UP
3	18 AWG	RED	P1-3-STREAM
4	18 AWG	BLACK	P1-4-HOG
5	18 AWG	BLACK	P1-5-LEFT
6	18 AWG	RED	P1-6-RIGHT
7	20 AWG	BROWN	HWADDZ
8	PLUG		LIGHT
9	20 AWG	WHITE	HWADDZ
10	PLUG		LIGHT GND
11	20 AWG	GREEN	CAN LOW
12	20 AWG	BLUE	CAN HIGH

VIEW FROM WIRE SIDE

(GRAY BODY)



MONITOR ASSEMBLY WIRING CONNECTIONS

<p>ELKHART BRASS WIG CO., INC. 1100 N. W. 11th St., Elkhart, IN 46516-1100 7161X2 (2007161) REV. REL</p>		<p>DATE: 02/09/2019 DRAWN BY: KAS CHECKED BY: 03/09/2019</p>
<p>MATERIAL: N/A</p>		<p>DESCRIPTION: SIDEWINDER 7161X2 UHP</p>
<p>ASSEMBLY</p>		<p>REV. DATE</p>
<p>CAD SCALE: 3:4</p>		<p>SHEET 2 OF 3</p>