

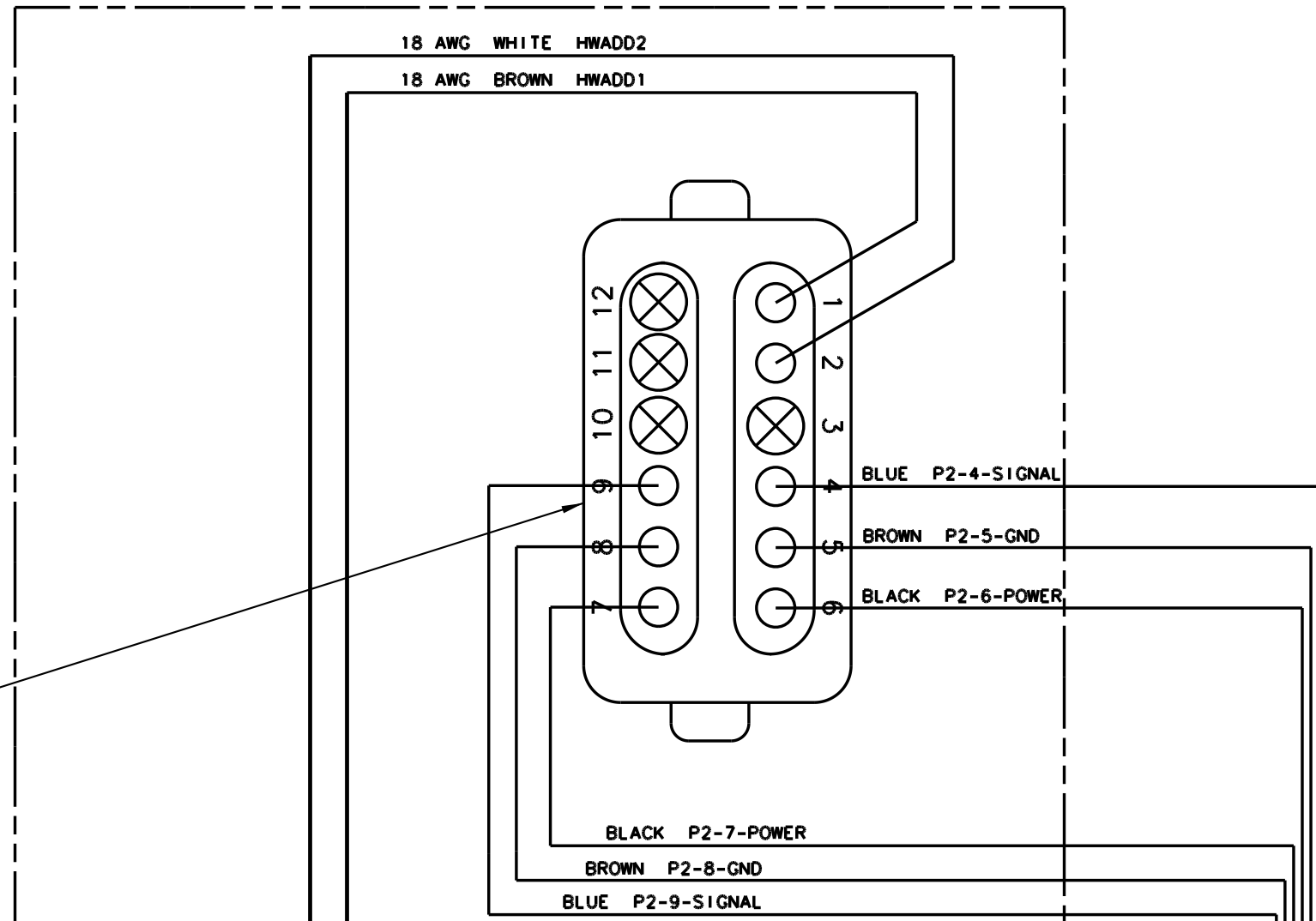
TO CIRCUIT BOARD P2

POS'N	WIRE SIZE	COLOR	FUNCTION
1	18 AWG	BROWN	HWADDR1
2	18 AWG	WHITE	HWADDR2
3	PLUG		
4		WHITE	P2-4-SIGNAL
5		BLACK	P2-5-GND
6		RED	P2-6-POWER
7		RED	P2-7-POWER
8		BLACK	P2-8-GND
9		WHITE	P2-9-SIGNAL
10	PLUG		
11	PLUG		
12	PLUG		

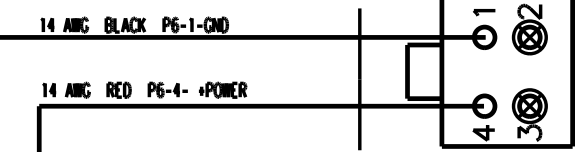
VIEW FROM WIRE SIDE

(GREEN BODY)

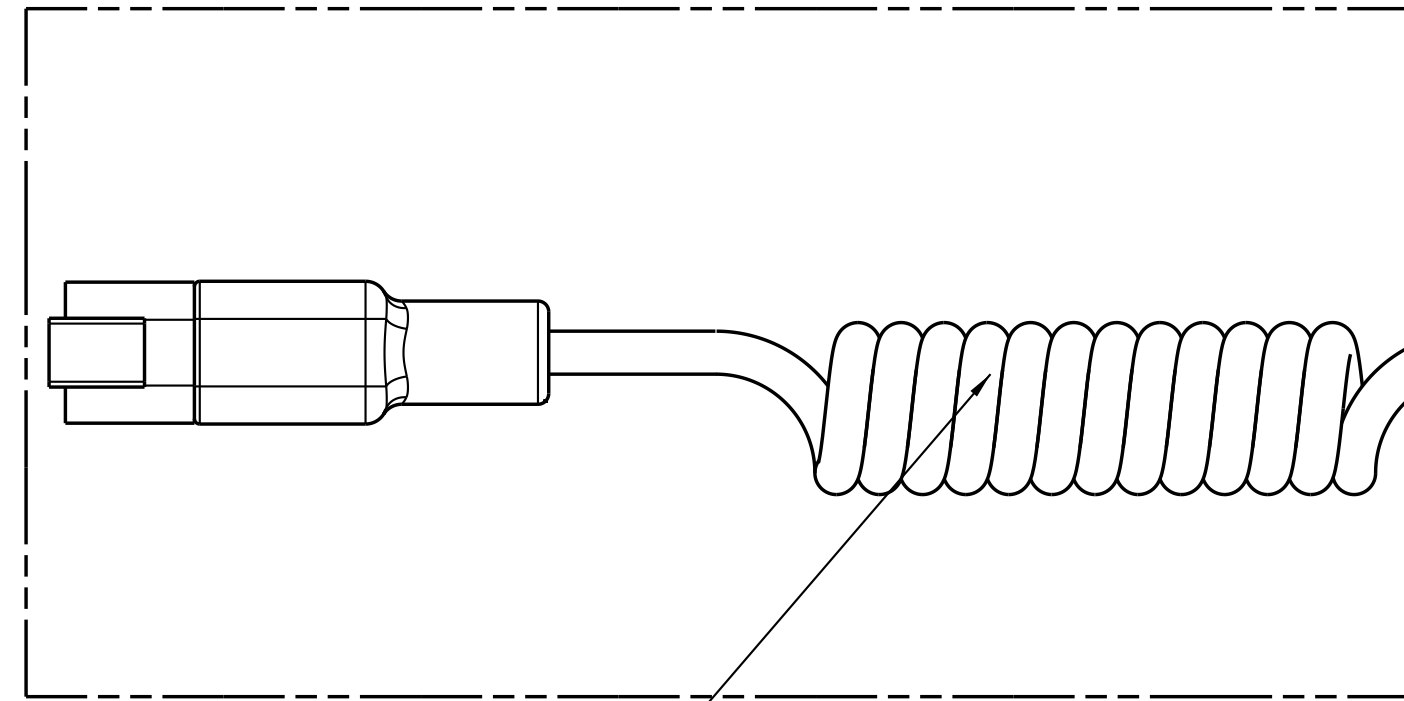
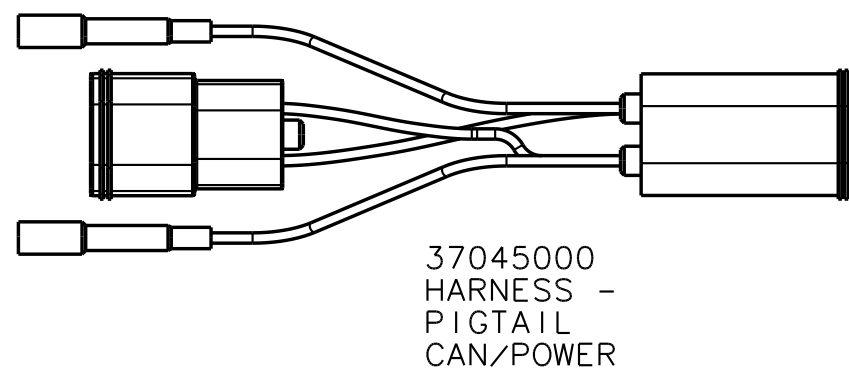
GREEN CONNECTOR TO CIRCUIT BOARD SOCKET P2



CONNECTOR TO CIRCUIT BOARD SOCKET P6

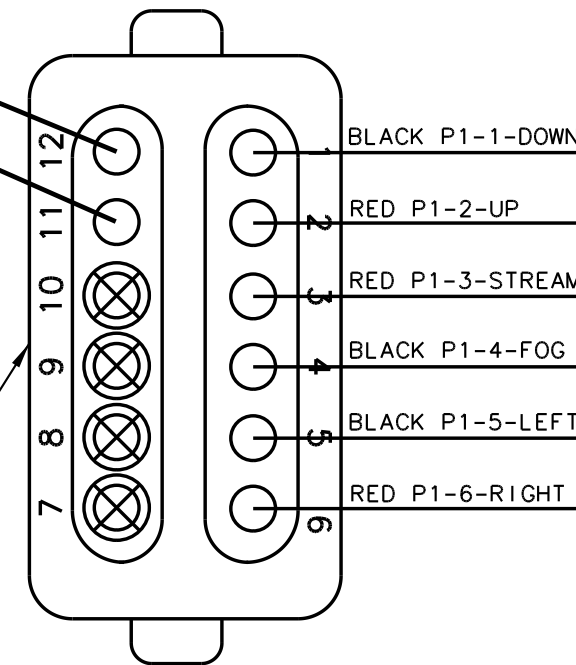


37092000 POWER/SENSOR HARNESS



54

18 AWG GREEN CAN LOW  
18 AWG BLUE CAN HIGH



GRAY CONNECTOR TO CIRCUIT BOARD SOCKET P1

TO CIRCUIT BOARD P1

POS'N	WIRE SIZE	COLOR	FUNCTION
1		BLACK	P1-1-DOWN
2		RED	P1-2-UP
3		RED	P1-3-STREAM
4		BLACK	P1-4-FOG
5	18 AWG	BLACK	P1-5-LEFT
6	18 AWG	RED	P1-6-RIGHT
7	PLUG		LIGHT1-CTRL
8	PLUG		LIGHT2-CTRL
9	PLUG		GND - COMMON
10	PLUG		
11	18 AWG	GREEN	CAN LOW
12	18 AWG	BLUE	CAN HIGH

VIEW FROM WIRE SIDE

(GRAY BODY)

SEE SHEET 1 OF 2 FOR ADDITIONAL REVISION NOTES

**SHEET 2 OF 2**  
(SEE SHEET 1 FOR MONITOR ASSEMBLY)

REV.	WAS	BY	E. C. N.	DATE	NO.	PART NO.	PART NAME	REQ.
RELEASED TO PROD.	KJM	1201 29	DRN BY	KJM	SCALE	NONE	DATE	1/23/12
MATERIAL:				STANDARD TOLERANCE:	7161 EXM UHP			
				3 PLACE DEC. - ±.010	D			
				4 PLACE DEC. - ±.005	SDRC			
				ANGLES - ±0°30'0"	UNLESS OTHERWISE SPECIFIED DO NOT SCALE PRINT			

(ITEM NUMBER 00007161) CAT. 7161 REV. REL.