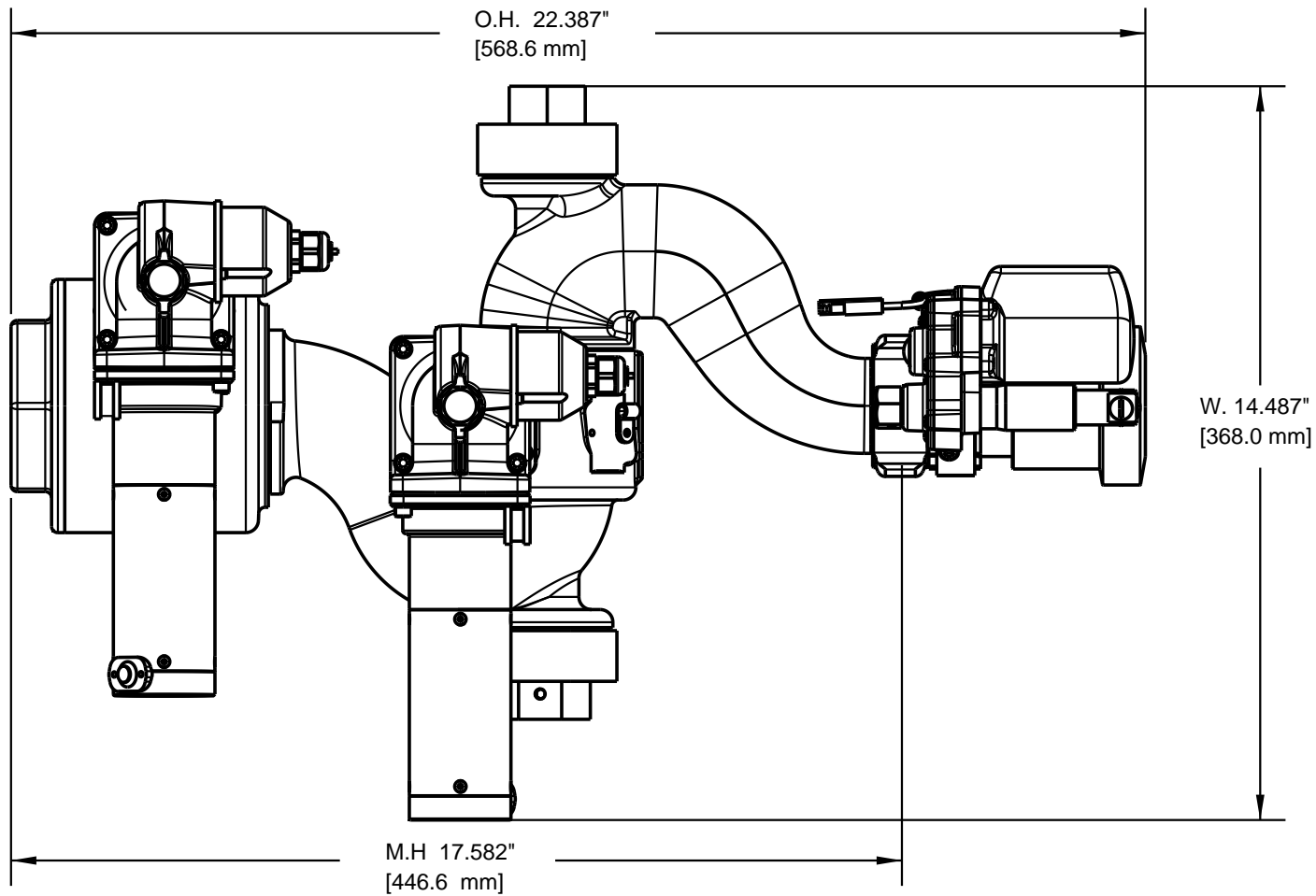
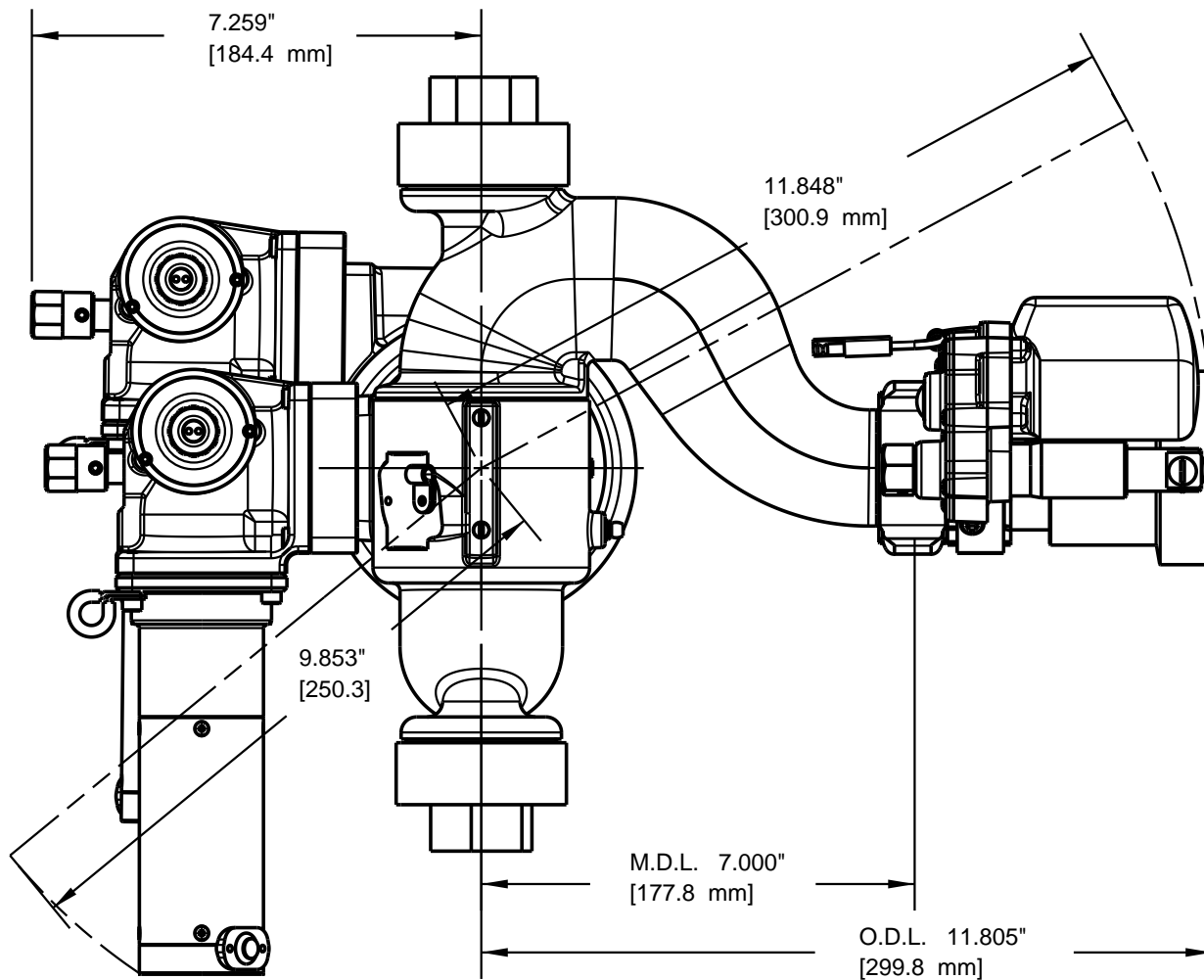


	ELKHART BRASS MFG. CO. INC. ELKHART, INDIANA
THIS DRAWING CONTAINS INFORMATION THAT IS PROPRIETARY TO ELKHART BRASS MFG. CO. INC. AND MAY NOT BE USED TO PRODUCE ANY PARTS, ASSEMBLIES OR PRODUCTS DESCRIBED HEREIN WITHOUT THE EXPRESS WRITTEN PERMISSION	
SIDEWINDER 7161 EXM UHP PAGE 1 OF 5 02/2012	BASE DIMENSIONAL



	ELKHART BRASS MFG. CO. INC. ELKHART, INDIANA
THIS DRAWING CONTAINS INFORMATION THAT IS PROPRIETARY TO ELKHART BRASS MFG. CO. INC. AND MAY NOT BE USED TO PRODUCE ANY PARTS, ASSEMBLIES OR PRODUCTS DESCRIBED HEREIN WITHOUT THE EXPRESS WRITTEN PERMISSION	
SIDEWINDER 7161 EXM UHP PAGE 2 OF 5 02/2012	FRONT DIMENSIONAL

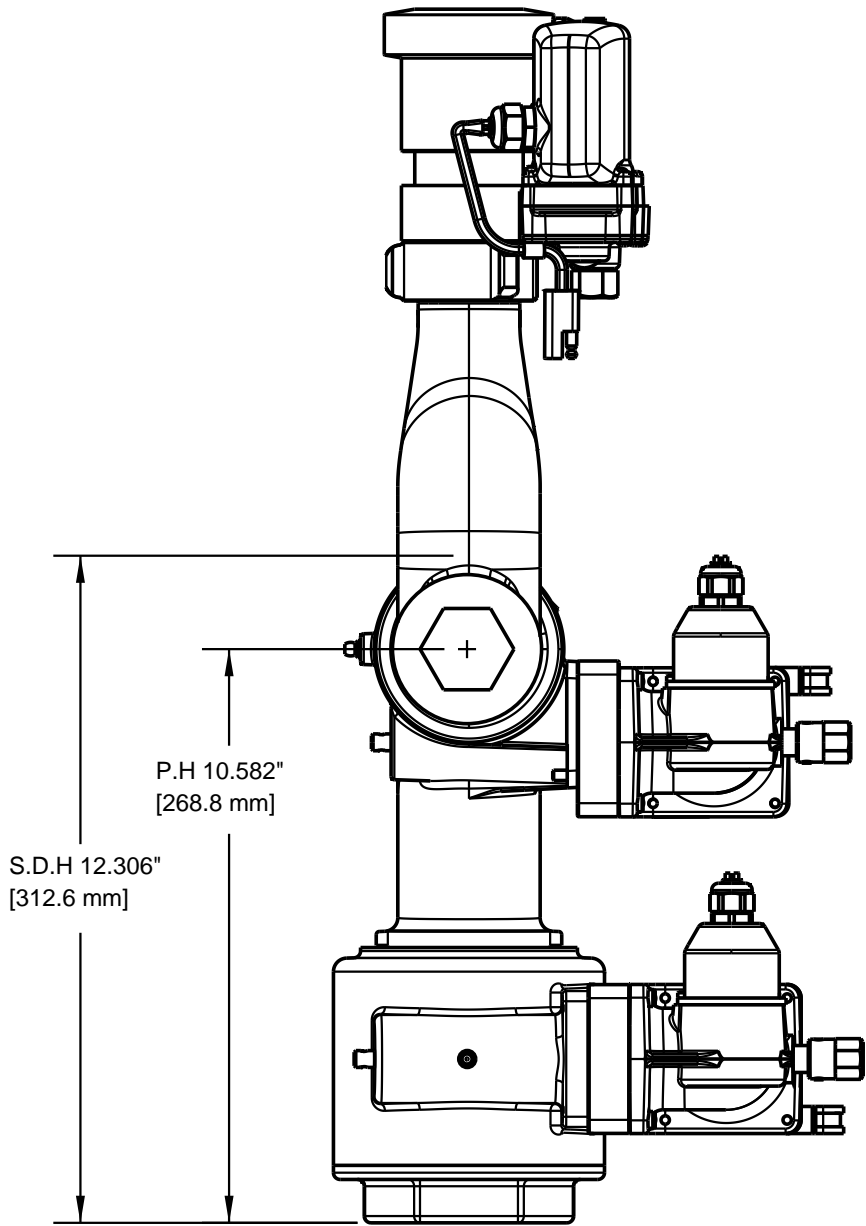


ELKHART BRASS MFG. CO. INC.
ELKHART, INDIANA

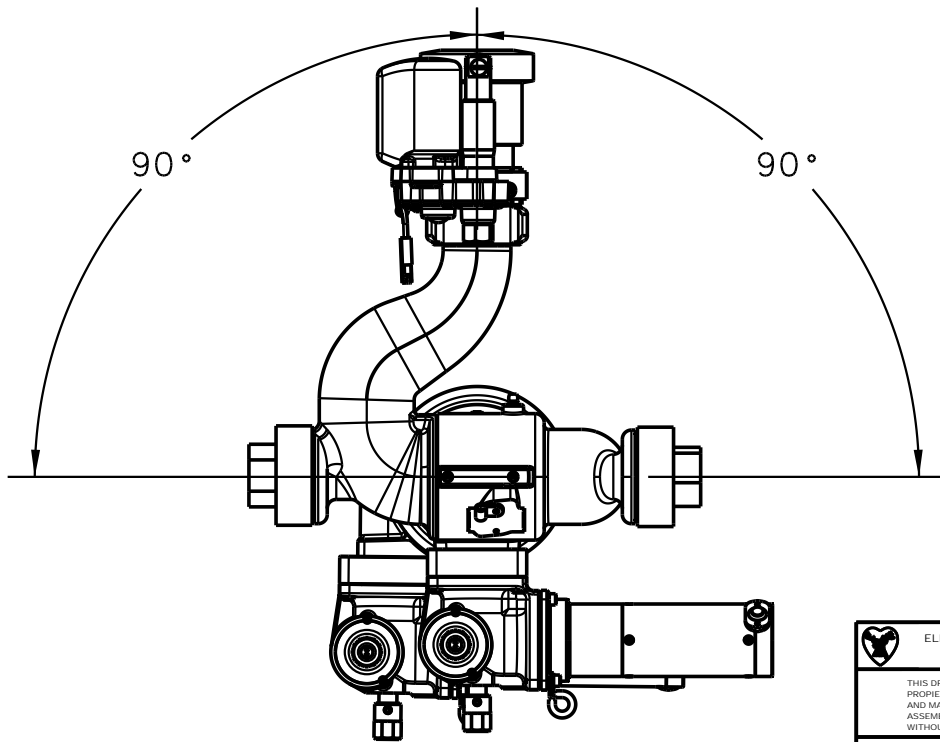
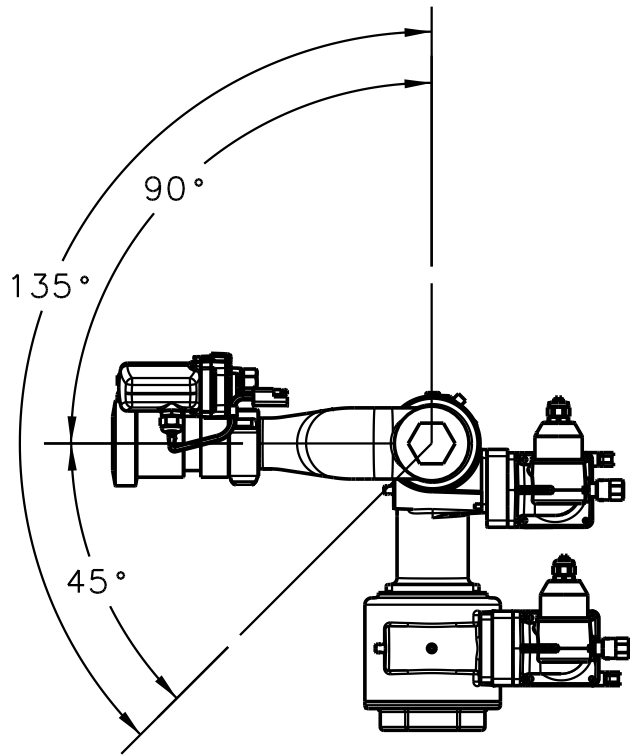
THIS DRAWING CONTAINS INFORMATION THAT IS
PROPRIETARY TO ELKHART BRASS MFG. CO. INC.
AND MAY NOT BE USED TO PRODUCE ANY PARTS,
ASSEMBLIES OR PRODUCTS DESCRIBED HEREIN
WITHOUT THE EXPRESS WRITTEN PERMISSION


SIDEWINDER 7161 EXM UHP
PAGE 3 OF 5
02/2012

TOP
DIMENSIONAL



	ELKHART BRASS MFG. CO. INC. ELKHART, INDIANA
<small>THIS DRAWING CONTAINS INFORMATION THAT IS PROPRIETARY TO ELKHART BRASS MFG. CO. INC. AND MAY NOT BE USED TO PRODUCE ANY PARTS, ASSEMBLIES OR PRODUCTS DESCRIBED HEREIN WITHOUT THE EXPRESS WRITTEN PERMISSION</small>	
<small>SIDEWINDER 7161 EXM UHP PAGE 4 OF 5 02/2012</small>	<small>SIDE VIEW</small>



	ELKHART BRASS MFG. CO. INC. ELKHART, INDIANA
	<small>THIS DRAWING CONTAINS INFORMATION THAT IS PROPRIETARY TO ELKHART BRASS MFG. CO. INC. AND MAY NOT BE USED TO PRODUCE ANY PARTS, ASSEMBLIES OR PRODUCTS DESCRIBED HEREIN WITHOUT THE EXPRESS WRITTEN PERMISSION</small>
<small>SIDEWINDER 7161 EXM UHP PAGE 5 OF 5 02/2012</small>	<small>RANGE OF MOTION</small>