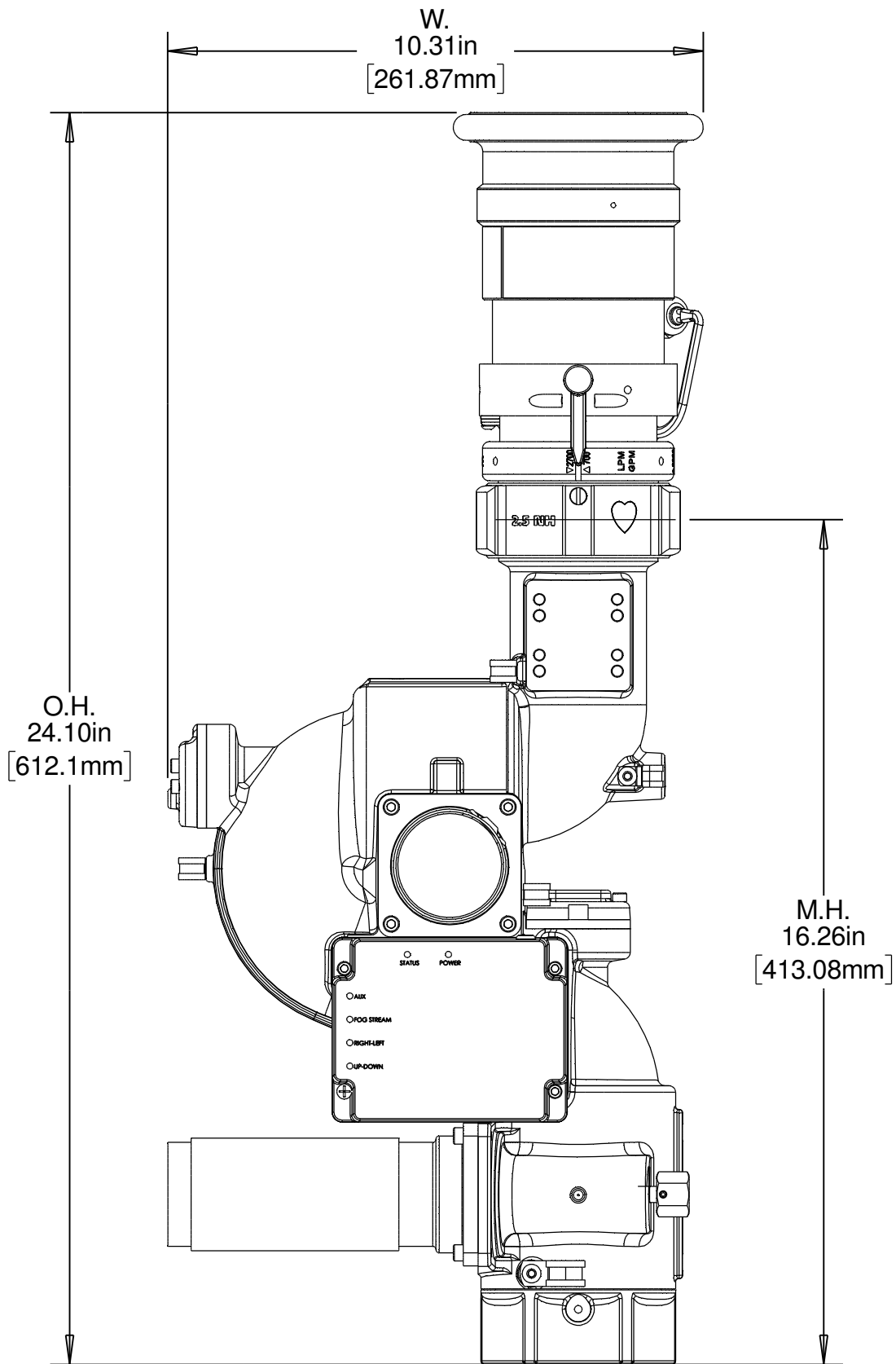


THIS DRAWING CONTAINS INFORMATION THAT IS PROPRIETARY TO ELKHART BRASS MFG CO., INC. AND MAY NOT BE USED TO PRODUCE ANY PARTS, ASSEMBLIES OR PRODUCTS DESCRIBED HEREIN WITHOUT EXPRESS WRITTEN PERMISSION

7100HDX2 (02007101HDX2) DIMENSIONAL	BASE DIMENSIONAL
PAGE 1 OF 6	
03/20/2019	

Ver. 1.1



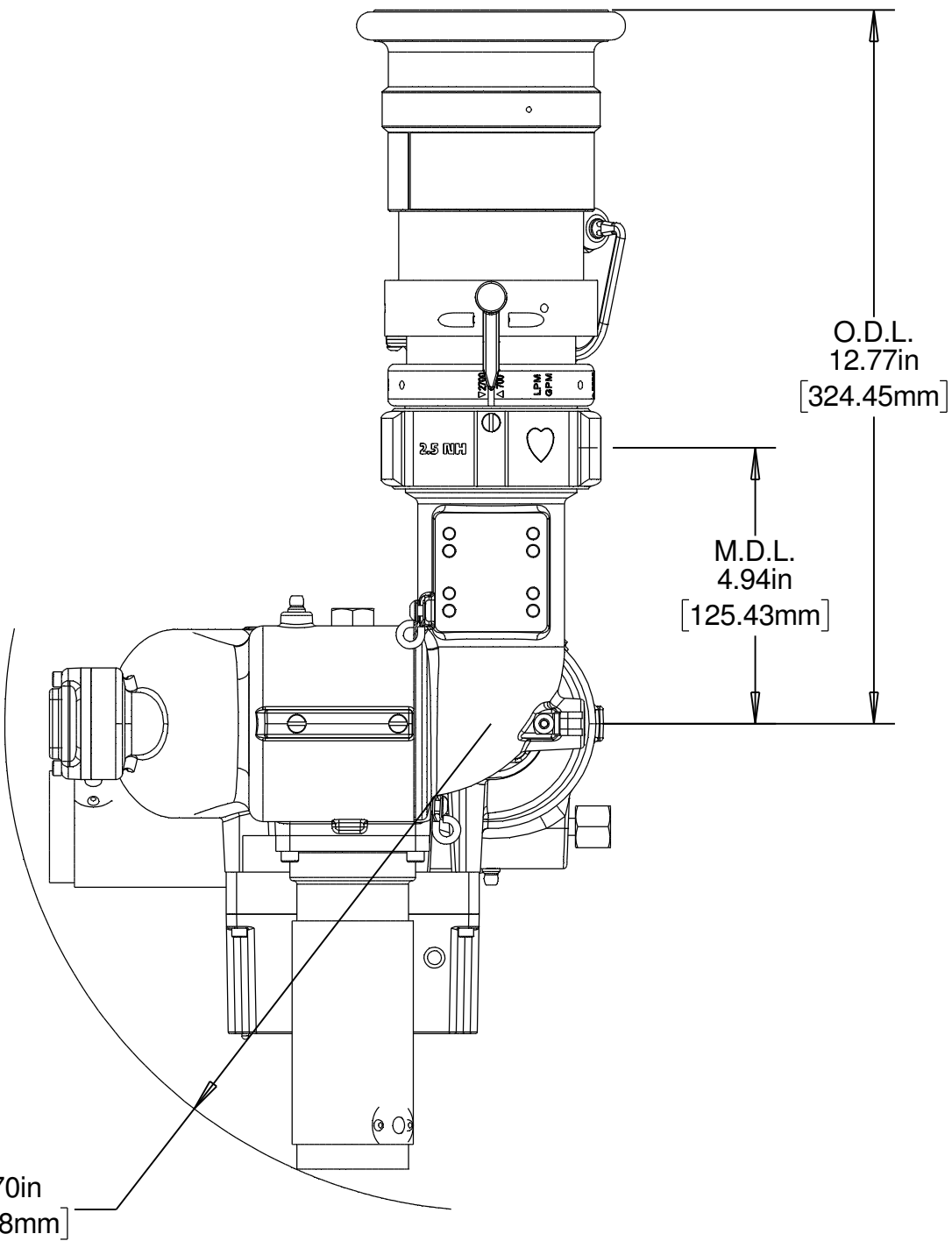
 **ELKHART BRASS**
Fire Fighting Equipment

THIS DRAWING CONTAINS INFORMATION THAT IS PROPRIETARY TO ELKHART BRASS MFG CO., INC. AND MAY NOT BE USED TO PRODUCE ANY PARTS, ASSEMBLIES OR PRODUCTS DESCRIBED HEREIN WITHOUT EXPRESS WRITTEN PERMISSION

7100HDX2 (02007101HDX2) DIMENSIONAL
PAGE 2 OF 6
03/20/2019

BACK VIEW
DIMENSIONAL

Ver. 1.1

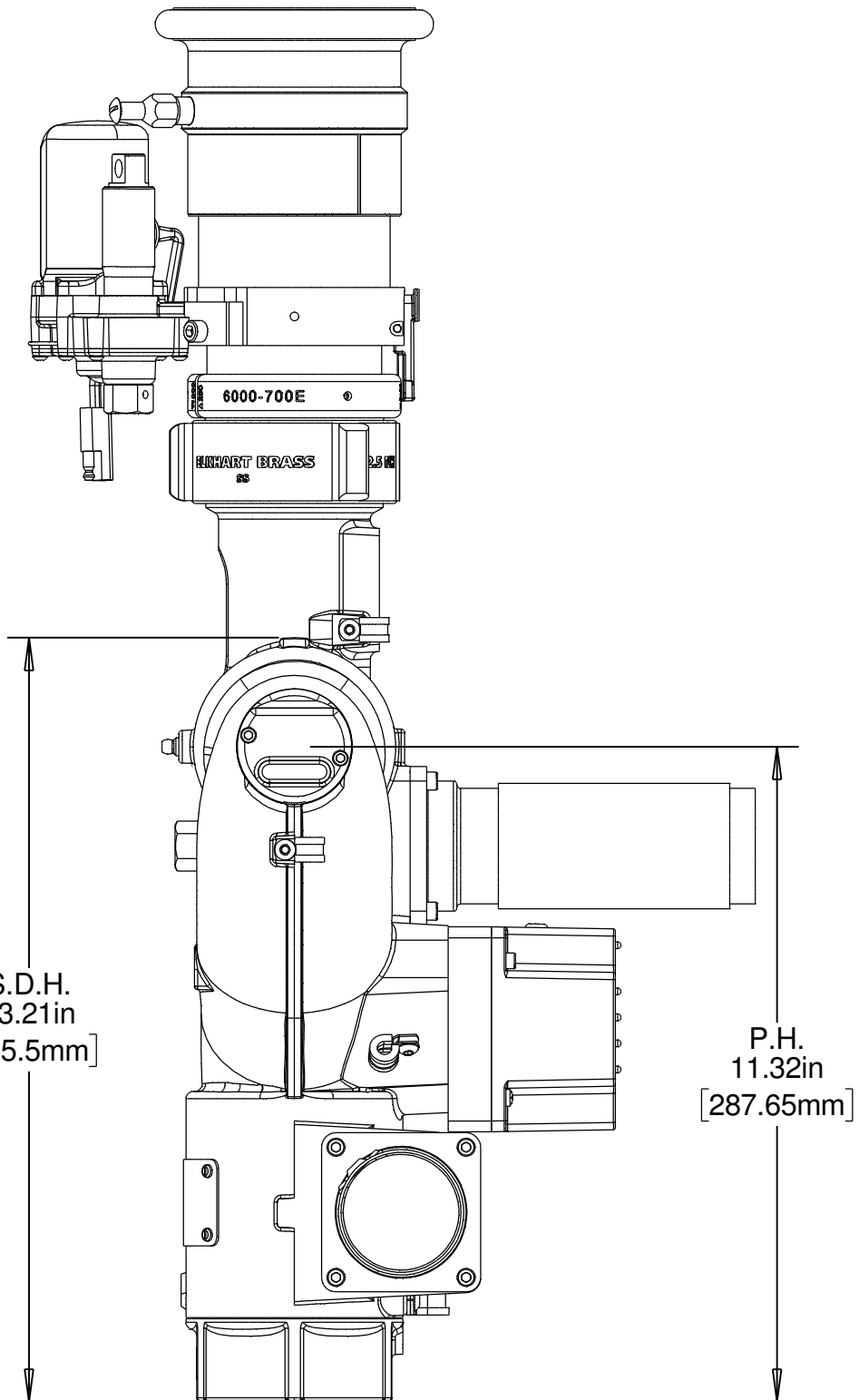


ELKHART BRASS
Fire Fighting Equipment

THIS DRAWING CONTAINS INFORMATION THAT IS PROPRIETARY TO ELKHART BRASS MFG CO., INC. AND MAY NOT BE USED TO PRODUCE ANY PARTS, ASSEMBLIES OR PRODUCTS DESCRIBED HEREIN WITHOUT EXPRESS WRITTEN PERMISSION


7100HDX2 (02007101HDX2) DIMENSIONAL	TOP VIEW DIMENSIONAL
PAGE 3 OF 6	
03/20/2019	

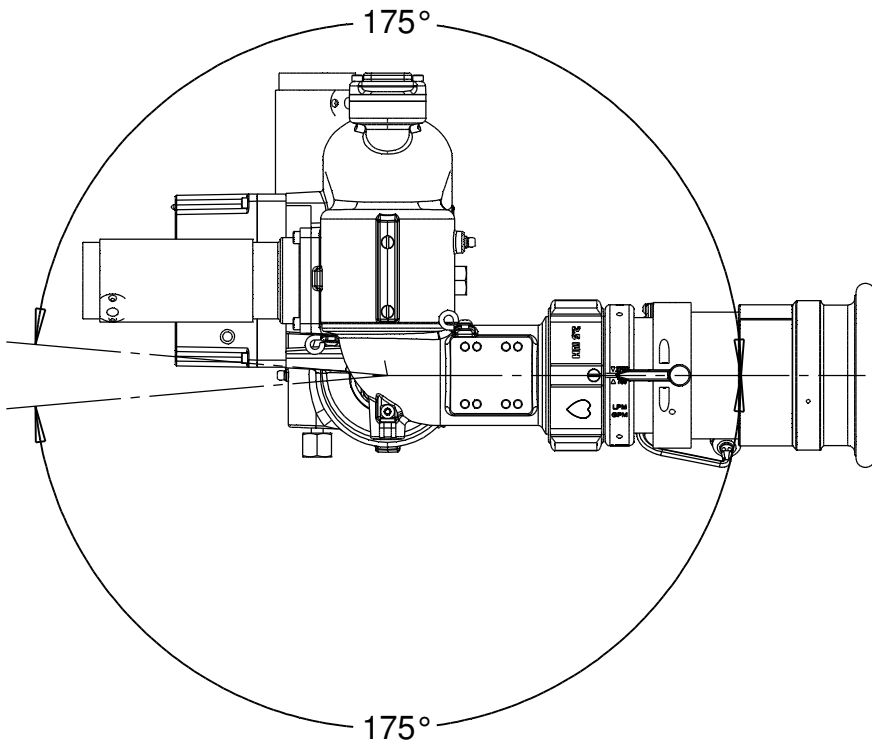
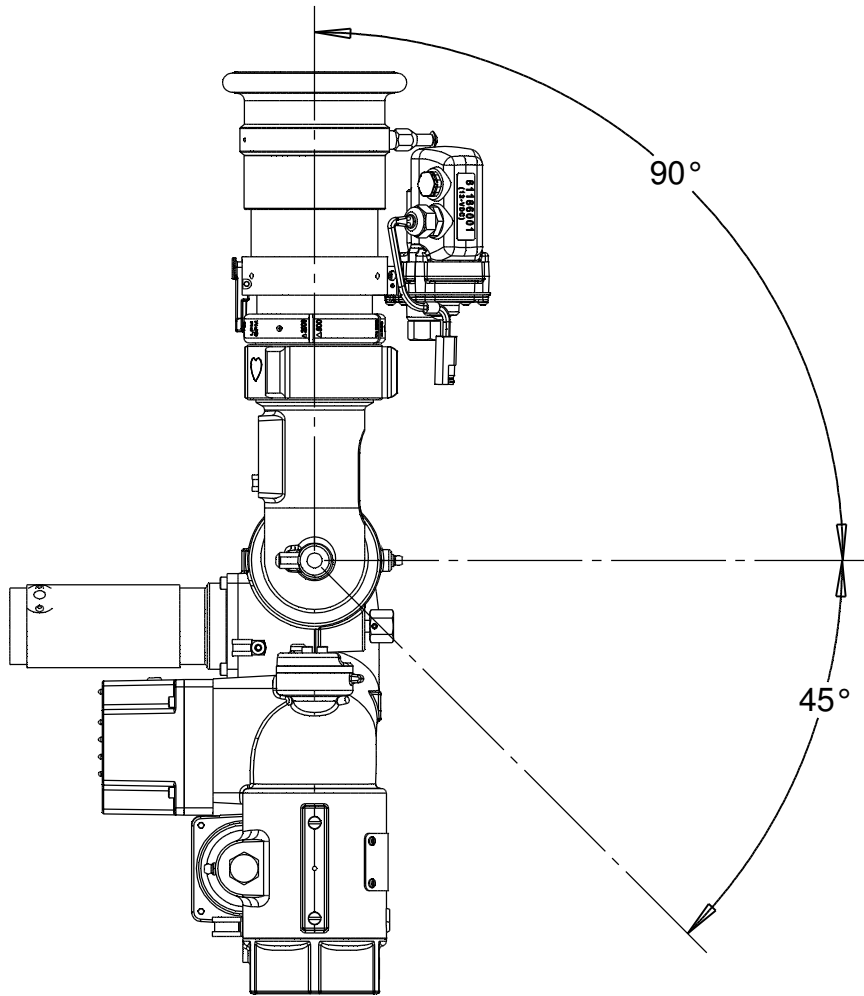
Ver. 1.1



S.D.H.
13.21in
[335.5mm]

P.H.
11.32in
[287.65mm]

 ELKHART BRASS Fire Fighting Equipment	
THIS DRAWING CONTAINS INFORMATION THAT IS PROPRIETARY TO ELKHART BRASS MFG CO., INC. AND MAY NOT BE USED TO PRODUCE ANY PARTS, ASSEMBLIES OR PRODUCTS DESCRIBED HEREIN WITHOUT EXPRESS WRITTEN PERMISSION	
7100HDX2 (02007101HDX2) DIMENSIONAL	SIDE VIEW DIMENSIONAL
PAGE 4 OF 6 03/20/2019	Ver. 1.1



THIS DRAWING CONTAINS INFORMATION THAT IS PROPRIETARY TO ELKHART BRASS MFG CO., INC. AND MAY NOT BE USED TO PRODUCE ANY PARTS, ASSEMBLIES OR PRODUCTS DESCRIBED HEREIN WITHOUT EXPRESS WRITTEN PERMISSION

7100HDX2 (02007101HDX2) DIMENSIONAL

PAGE 5 OF 6

03/20/2019


RANGE OF MOTION

Ver. 1.1

DIMENSIONAL ABBREVIATION KEY*

ABBREVIATION	DESCRIPTION
D.L.	DISCHARGE LENGTH
H.H.	HANDLE HEIGHT
H.S.R.	HANDLE SWING RADIUS
M.D.L.	MONITOR DISCHARGE LENGTH
M.H.	MONITOR HEIGHT
O.D.L.	OVERALL DISCHARGE LENGTH
O.H.	OVERALL HEIGHT
O.L.	OVERALL LENGTH
P.H.	PIVOT HEIGHT
P.R.	PIVOT RADIUS
R.	RADIUS
S.D.H.	STOW DOWN HEIGHT
W.	WIDTH

***NOT ALL ABBREVIATIONS WILL BE USED ON EVERY DRAWING.**

 ELKHART BRASS Fire Fighting Equipment	
THIS DRAWING CONTAINS INFORMATION THAT IS PROPRIETARY TO ELKHART BRASS MFG CO., INC. AND MAY NOT BE USED TO PRODUCE ANY PARTS, ASSEMBLIES OR PRODUCTS DESCRIBED HEREIN WITHOUT EXPRESS WRITTEN PERMISSION	
7100HDX2 (02007101HDX2) DIMENSIONAL	DIMENSIONAL KEY
PAGE 6 OF 6	
03/20/2019	