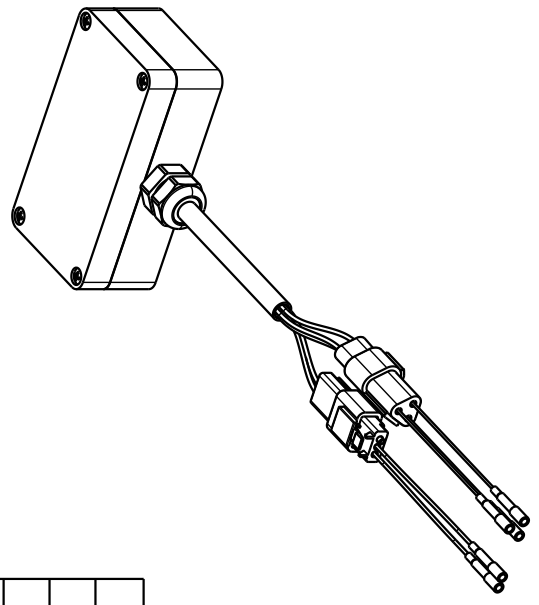
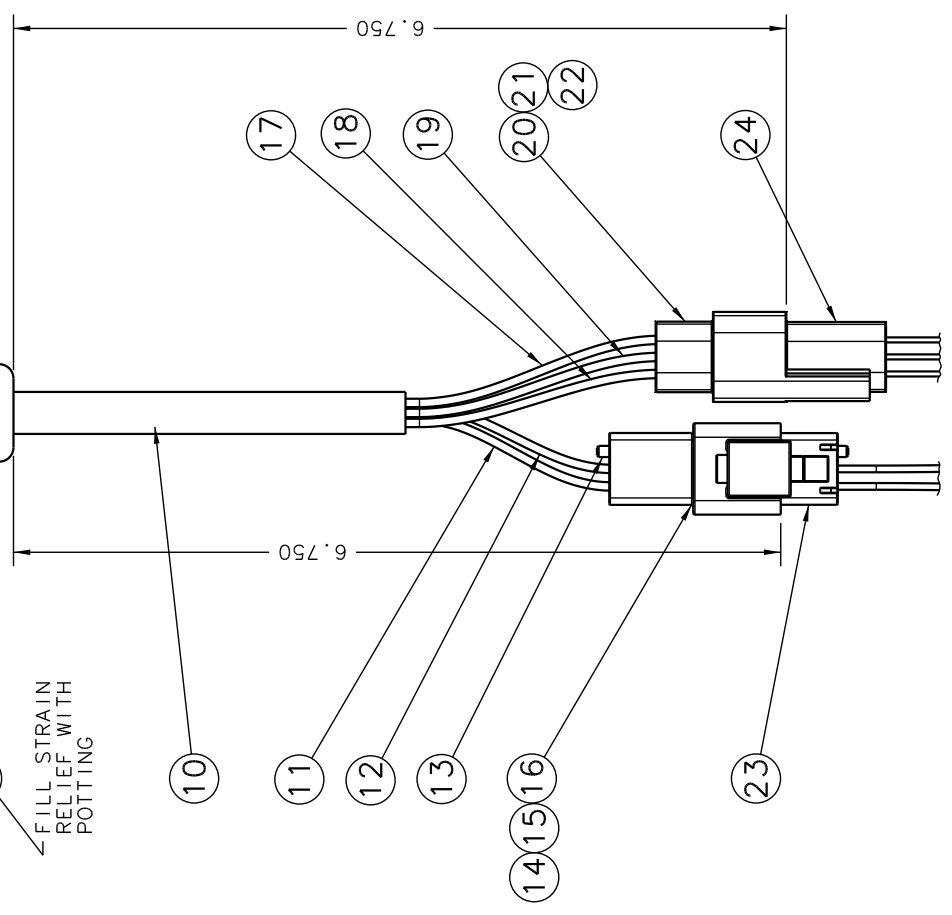
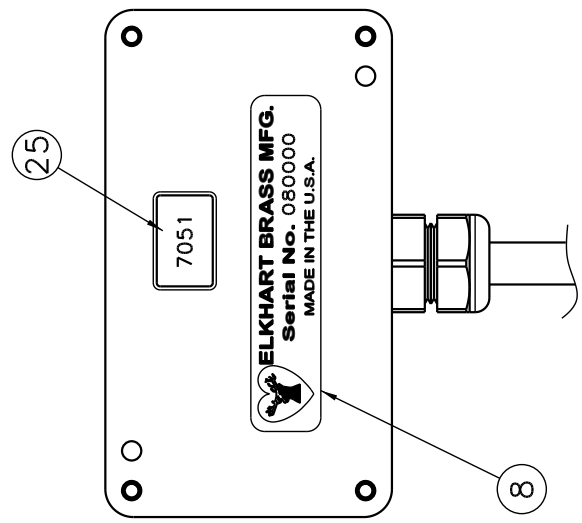
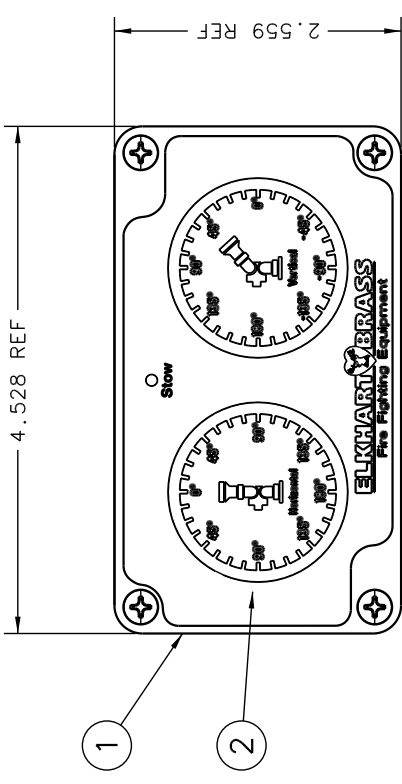
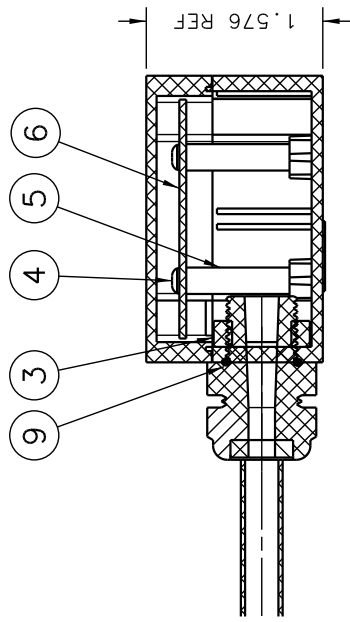
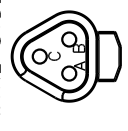


POWER		
POS·N	WIRE SIZE	COLOR LABEL
1	20 AWG	RED POWER+(10-30V)
2	20 AWG	BLACK GND
3		PLUG



CAN		
POS·N	WIRE SIZE	COLOR LABEL
A	18 AWG	GREEN A- CAN LOW
B	18 AWG	BLUE B- CAN HIGH
C	18 AWG	BLACK C- CAN SHIELD



25	44635100	LABEL IDENTIFICATION (7051)	1
24	37047000	PIGTAIL CONTROL CAN	1
23	37046000	PIGTAIL CONTROL POWER	1
22		DEUTSCH CONTACT SOCKET PIN P/N 0462-201-16141	3
21		DEUTSCH WEDGE LOCK W3S	1
20	24179200	DEUTSCH PLUG DT06-3S	1
19		TYL WIRE 18 AWG AS NEEDED HIGH TEMP - BLACK	1
18		TYL WIRE 18 AWG AS NEEDED HIGH TEMP - BLUE	1
17		TYL WIRE 18 AWG AS NEEDED HIGH TEMP - GREEN	1
16		DEUTSCH CONTACT PIN P/N 0460-202-20141	2
15		DEUTSCH WEDGE LOCK WM-3P	1
14	24178000	DEUTSCH RECEIPT DTM04-3P	1
13		DEUTSCH SEALING PLUG P/N 0413-204-2005	1
12		TYL WIRE 20 AWG AS NEEDED HIGH TEMP - BLACK	1
11		TYL WIRE 20 AWG AS NEEDED HIGH TEMP - RED	1
10		HEAT STRINK 0.25"	1
9		O-RING P/N OR-09-BN	1
8	44629000	LABEL- SERIAL NUMBER (EXM)	1
7		STRAIN RELIEF SEALCON P/N CD09-AR-BK	1
6		CIRCUIT BOARD	1
5		SPACER ROUND ALUM M3 X 25mm	4
4		SCREW BH CAP M3 X 30mm	4
3	47707000	JAM NUT PG-9 SEALCON NP-09-BK	1
2		LABEL	1
1		BUD ENCLOSURE PN-1321-C	1

NO.	PART NO.	PART NAME	REQ.
ELKHART BRASS MFG. CO., INC. ELKHART, INDIANA			
POSITION FEEDBACK MODULE			
DRN BY	SCALE	FULL DATE	DRWG. SIZE
1105 05	GDW	6/6/2011	C
REV.	BY	DATE	
1	WAS		
MATERIAL:			
SDRC			

3 PLACE DEC. - ± .010
4 PLACE DEC. - ± .005
ANGLES - 20-30-90°
UNLESS OTHERWISE SPECIFIED
DO NOT SCALE PRINT