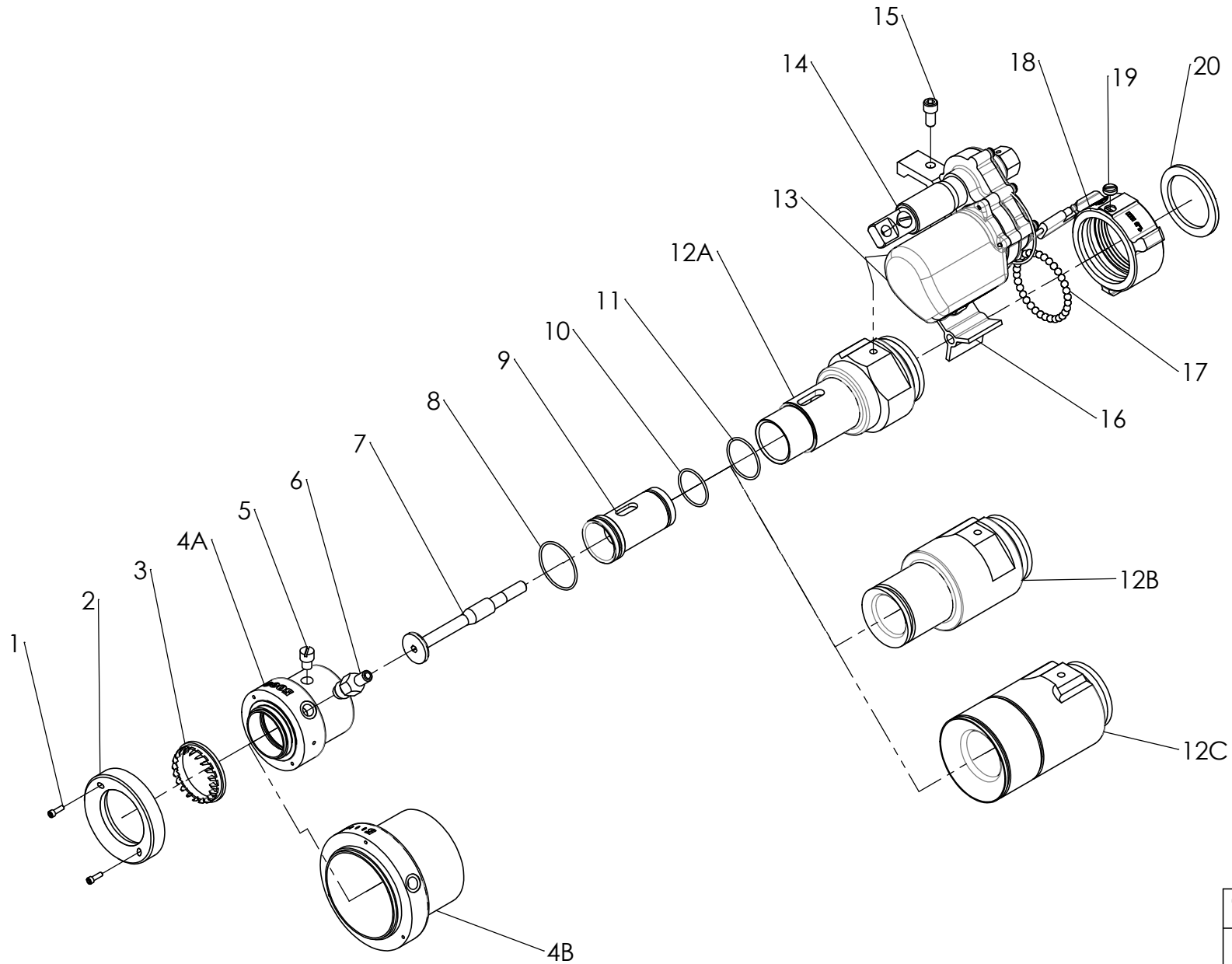




**5000 SERIES
(5000-04E, 5000-14E, 5000-24E)**



 ELKHART BRASS Fire Fighting Equipment	
THIS DRAWING CONTAINS INFORMATION THAT IS PROPRIETARY TO ELKHART BRASS MFG CO., INC. AND MAY NOT BE USED TO PRODUCE ANY PARTS, ASSEMBLIES OR PRODUCTS DESCRIBED HEREIN WITHOUT EXPRESS WRITTEN PERMISSION	
5000 SERIES PAGE 1 OF 2 04/01/2020	PART DRAWING

**5000 SERIES
(5000-04E, 5000-14E, 5000-24E)**

ITEM #	MODEL	PART #	QTY	DESCRIPTION	ITEM #	MODEL	PART #	QTY	DESCRIPTION
1	5000-04E	63780000	2	Screw S/S	8	5000-04E	57329000	1	O-Ring
1	5000-14E	63780000	3	Screw S/S	9	5000-04E	18113001	1	Barrel - Center
1	5000-24E	63780000	3	Screw S/S	10	5000-04E	57327000	1	O-Ring
2	5000-04E	59124001	1	Retaining Ring	11	5000-04E	57392000	1	O-Ring
2	5000-14E	57618001	1	Retaining Ring	11	5000-14E	57398000	1	O-Ring
2	5000-24E	57631001	1	Retaining Ring	11	5000-24E	57477000	2	O-Ring
3	5000-04E	58978000	1	Spinning Teeth	12A	5000-04E	17187001	1	Body - Nozzle
3	5000-14E	58870000	1	Spinning Teeth	12B	5000-14E	17151001	1	Body - Nozzle
3	5000-24E	58875000	1	Spinning Teeth	12C	5000-24E	17149001	1	Body - Nozzle
4A	5000-04E	66422001	1	Tip - Nozzle	13	5000-04E	81533001	1	Electric 12V DC Actuator Ass'y
4B	5000-14E	66384001	1	Tip - Nozzle	13	5000-04E	81534001	1	Electric 24V DC Actuator Ass'y
4B	5000-24E	66375001	1	Tip - Nozzle	13	5000-14E	81197001	1	Electric 12V DC Actuator Ass'y
5	5000-04E	65065001	1	Screw - Guide	13	5000-14E	81226001	1	Electric 24V DC Actuator Ass'y
6	5000-04E	17729001	1	Bracket - Push Rod	13	5000-24E	81186001	1	Electric 12V DC Actuator Ass'y
6	5000-14E	17812001	1	Bracket - Push Rod	13	5000-24E	81227001	1	Electric 24V DC Actuator Ass'y
6	5000-24E	17813001	1	Bracket - Push Rod	14	ALL	61078000	1	Button Screw S/S
7	5000-04E	62059001	1	Stem (15 GPM)	15	ALL	61040000	1	Socket Cap Screw S/S
7	5000-04E	62060001	1	Stem (30 GPM)	16	ALL	63418001	1	Stem Base Web
7	5000-04E	62061001	1	Stem (45 GPM)	17	ALL	15018000	32	.187 Ball S/S
7	5000-14E	62047001	1	Stem (60 GPM)	18	ALL	63068001	1	Swivel (1.5")
7	5000-14E	62049001	1	Stem (95 GPM)	19	ALL	63674000	1	Set Screw
7	5000-14E	62050001	1	Stem (125 GPM)	20	ALL	33074000	1	Gasket - Rubber
7	5000-14E	62051001	1	Stem (150 GPM)					
7	5000-24E	62180001	1	Stem (175 GPM)					
7	5000-24E	62181001	1	Stem (200 GPM)					
7	5000-24E	62171001	1	Stem (250 GPM)					
7	5000-24E	62172001	1	Stem (350 GPM)					
7	5000-24E	69045001	1	Stem (400 GPM)					
7	5000-24E	69046001	1	Stem (475 GPM)					

 ELKHART BRASS Fire Fighting Equipment	
<small>THIS DRAWING CONTAINS INFORMATION THAT IS PROPRIETARY TO ELKHART BRASS MFG CO., INC. AND MAY NOT BE USED TO PRODUCE ANY PARTS, ASSEMBLIES OR PRODUCTS DESCRIBED HEREIN WITHOUT EXPRESS WRITTEN PERMISSION</small>	
5000 SERIES PAGE 2 OF 2 04/01/2020	PART DRAWING