



INTRODUCTION

ELKHART PROVIDES A VARIETY OF BUILDING CONNECTIONS INCLUDING FREE STANDING, EXPOSED AND FLUSH; ALL WITH INLETS AND/OR OUTLETS. ALL BUILDING CONNECTIONS ARE CAST BRASS CONSTRUCTION.

Free Standing

Elkhart's 90° free standing inlet connections are cast brass construction, as are the sleeves and escutcheons, and come furnished with plugs, chains and an 18" polished brass or chrome sleeve for standpipe cover.

Elkhart's 90° free standing hydrants and pump test connections are cast brass construction, as are the sleeves and eschutcheons, and come furnished with caps and chains.





FREE STANDING INLET

NPT OUTLET SIZE (Inches)	NUMBER OF 2.5" F NHT INLETS			CLAPPER TYPE		CERTI- FICATIONS		MEASUREMENTS (Inches)						AVAILABLE ESCUTCHEONS			FINISH		Weight (Lbs.)	MODEL	FIGURE
	2	3	4	Body (Drop)	Snoot	FM Approved	U.L. Listed	A	B	C	D	E	F	Auto-Spkr	Standpipe	Standpipe and Auto-Spkr	Polished Brass	Polished Chrome			
4.0	•			•		•	•	9 ¹ / ₄	8 ⁷ / ₁₆	1/2	18 ¹ / ₄	23 ¹¹ / ₁₆	23 ¹¹ / ₁₆	•	•	•	s	o	30	15-2W 4"*	1

Key s = standard o = option
 * Can order parts (sleeve or body with clapper) separately.

ADDITIONAL INFORMATION

- Each 2¹/₂" NHT inlet has a rated flow of 250 gpm (946 lpm).
- Elkhart's sidewalk bodies are rated for 175 psi (12.1 bar).
- Supplied with plugs (#311) and chains.

THREADS

Unless otherwise noted, all hose threads are NHT. See index T-13 for available optional threads.

FIGURE 1

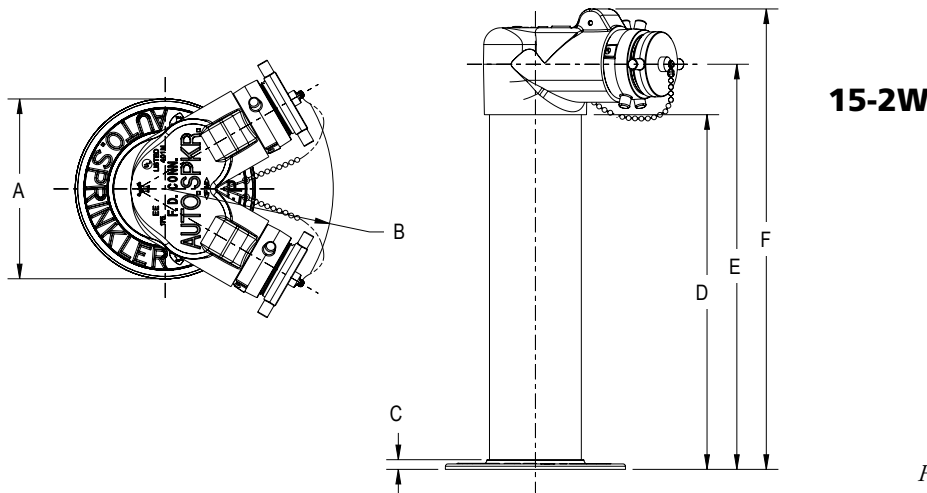


Fig. 1

Type	NPT INLET SIZE (Inches)	NUMBER OF 2.5" M NHT OUTLETS			CERTIFICATION	MEASUREMENTS (Inches)						AVAILABLE ESCUTCHEONS		FINISH		Weight (Lbs.)	MODEL	FIGURE
		2	3	4		FM Approved	A	B	C	D	E	F	Hydrant	Pump Test Conn.	Polished Brass			
Hydrants	4.0	•			•	9 ³ / ₄	8 ⁷ / ₁₆	1/2	18 ¹ / ₄	20 ⁷ / ₈	23 ² / ₃	•		s	o	30	16-2W 4"*	1
Pump Test Connections	4.0	•				9 ³ / ₄	8 ⁷ / ₁₆	1/2	18 ¹ / ₄	20 ⁷ / ₈	23 ³ / ₄		•	s	o	30	16-P 2W 4"	1

Key s = standard o = option
 * Can order parts (sleeve or body) separately.

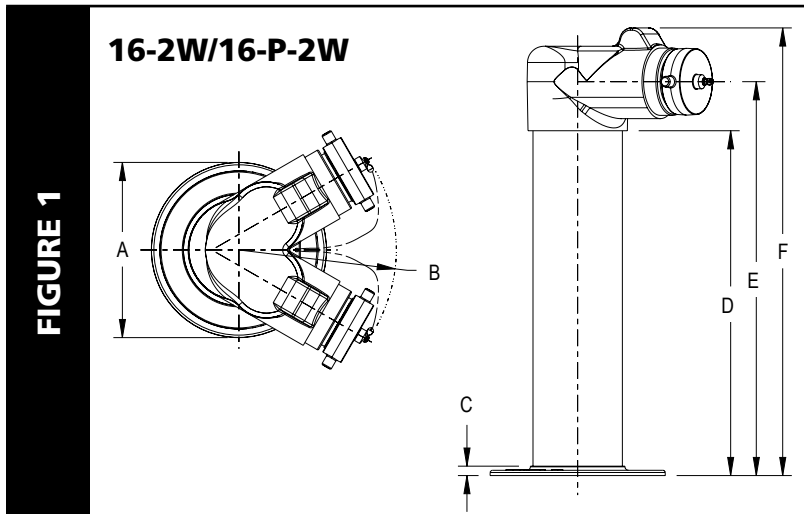


FIGURE 1

ADDITIONAL INFORMATION

- Each outlet has a rated flow of 250 gpm (946 lpm).
- Elkhart's sidewalk bodies are rated for 175 psi (12.1 bar).
- Supplied with caps (#310) and chains.

THREADS

Unless otherwise noted, all hose threads are NHT. See index T-13 for available optional threads.

OTHER PRODUCTS

- 154-S** – A cast brass valve control for actuating underground mounted valve, used with Elkhart's model #16 (a sidewalk type hydrant), is available. The 154-S comes with a 7/8" square steel extension rod that is 24" long and has a special coupling for attaching to stem of gate valve. Additionally, a cap, chain and sleeve are included. Please specify polished brass or polished chrome-plated sleeve.
- Note: a 2¹/₂" hole is required in the concrete slab, as well as a 1¹/₂" nipple and locknut which are not included.
 - This product is similar, in function, to the 164 seen on page 13-18.
- Use of a X-86 gate valve is suggested on Pump Test Connections. Gate valve may be found on page 8-5.



TERMINOLOGY

FREE STANDING

To better serve our customers, for this edition and future editions of the catalog, Elkhart Brass has adopted industry standard terminology for our products. In previous versions of our catalog, you may have found the items now listed as “free standing” under “sidewalk siamese” or “sidewalk hydrants”.

The industry standard terminology is more inclusive of different connection options.

EXPOSED

To better serve our customers, for this edition and future editions of the catalog, Elkhart Brass has adopted industry standard terminology for our products. In previous versions of our catalog, you may have found the items now listed as “exposed” under “exposed siamese” or “exposed wall hydrants”.

The industry standard terminology is more inclusive of different connection options.

FLUSH

To better serve our customers, for this edition and future editions of the catalog, Elkhart Brass has adopted industry standard terminology for our products. In previous versions of our catalog, you may have found the items now listed as “flush” under “flush siamese” or “flush wall hydrants” or “flush pump test”.

The industry standard terminology is more inclusive of different connection options.

Exposed

Elkhart offers a variety of exposed fire department connection options, including standpipe and 90° for post or wall mounting. All Elkhart's exposed fire department connections are cast brass construction; all inlets swivel and feature female threads.





EXPOSED INLET

NPT OUTLET SIZE (Inches)	NUMBER OF 2.5" F NHT INLETS		CLAPPER		MEASUREMENTS (Inches)					AVAILABLE LETTERING			CERTI- FICATIONS		FINISH			Weight (Lbs.)	MODEL	FIGURE
	2	3	Individual Drop	Swinging	A	B	C	D	Swing Radius	Auto-Spkr	Standpipe	Standpipe and Auto-Spkr	FM Approved	U.L. Listed	Cast Brass	Polished Brass	Polished Chrome			
4.0	•			•	5 ¹⁵ / ₁₆	9 ⁷ / ₈	5 ¹ / ₁₆	4		s			•	•	s			9	11	1
	•		•		7 ⁹ / ₁₆	11 ⁷ / ₁₆	5 ¹ / ₄			s	o		•	•	s	o	o	16	12 4"	3
	•		•		8 ³ / ₄	12 ³ / ₄	5 ¹ / ₂	11 ¹ / ₁₆		s	o	o	•	•		s	o	24 ¹ / ₂	156 4"	6
	•		•		9 ³ / ₁₆	11 ³ / ₄	5 ¹ / ₄	5 ¹ / ₁₆	7 ³ / ₈	s	o		•	•	s	o	o	20 ¹ / ₂	10 4"	4
6.0		•	•		8 ⁷ / ₈	13 ¹⁵ / ₁₆	7 ¹ / ₄	4							s	o	o	25 ¹ / ₂	18 6" *	2
	•		•		10	11 ¹ / ₂	7 ¹ / ₂			s	o		•		s	o	o	25	12 6"	3
	•		•		10 ¹⁵ / ₁₆	12 ³ / ₄	7 ¹ / ₂	11 ¹ / ₁₆		s	o	o	•		s	o	o	33 ³ / ₄	156 6"	6
	•		•		11 ⁹ / ₁₆	11 ³ / ₁₆	7 ¹ / ₂	5 ⁹ / ₁₆	8 ⁹ / ₁₆	s	o		•		s	o	o	23 ³ / ₄	10 6"	4
		•	•		11 ¹ / ₈	11 ⁷ / ₈	7 ¹ / ₈		7 ¹³ / ₁₆							s	o	o	25	29

Key s = standard o = option
 * Escutcheons available separately.

ADDITIONAL INFORMATION

- Elkhart's intake connections bodies are rated for 175 psi (12.1 bar).
- Each 2¹/₂" NHT inlet has a rated flow of 250 gpm (946 lpm).
- Model 156 supplied with plug (#311) and chains.

THREADS

Unless otherwise noted, all hose threads are NHT. See index T-13 for available optional threads.

OTHER PRODUCTS

See page 11-1 for available chains and plugs.

FIGURE 1

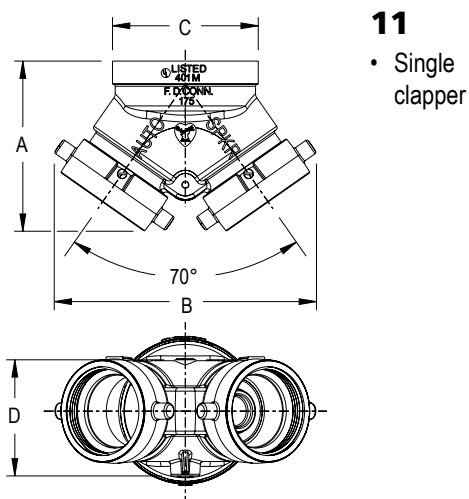


Fig. 1

FIGURE 4

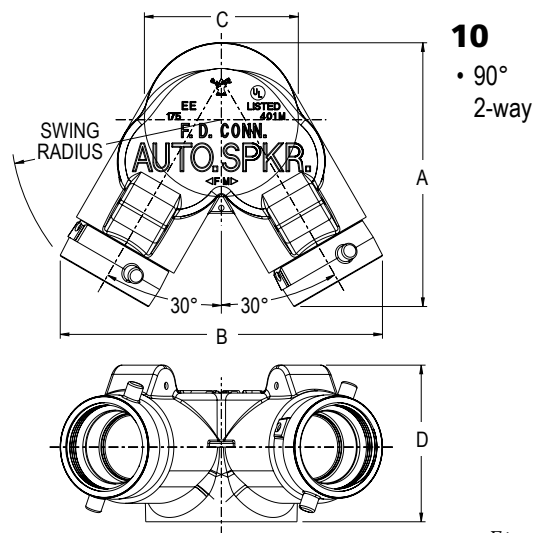


Fig. 4

FIGURE 2

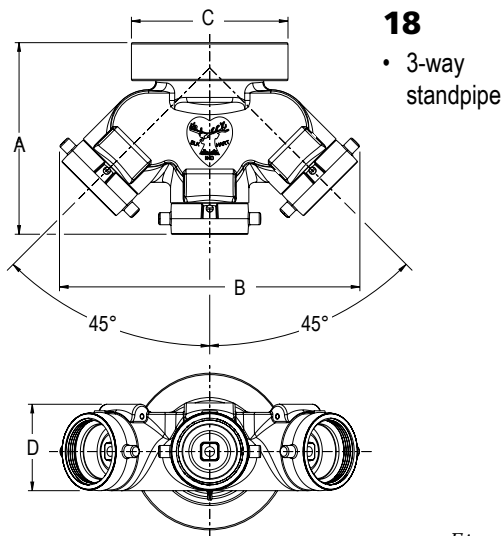


Fig. 2

FIGURE 5

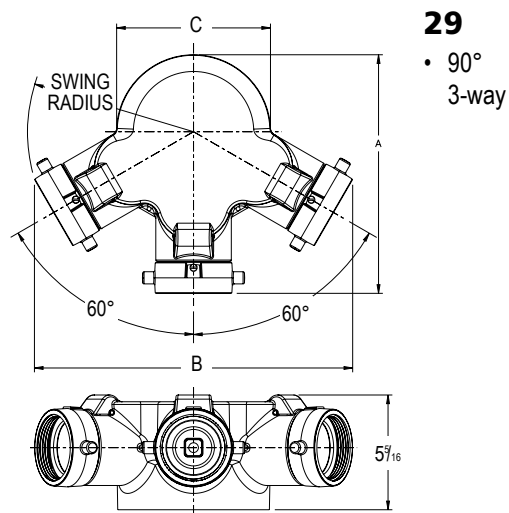


Fig. 5

FIGURE 3

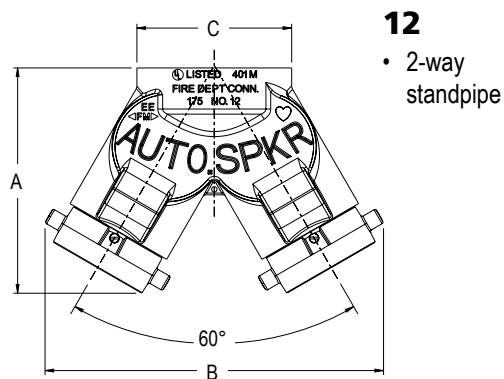


Fig. 3

FIGURE 6

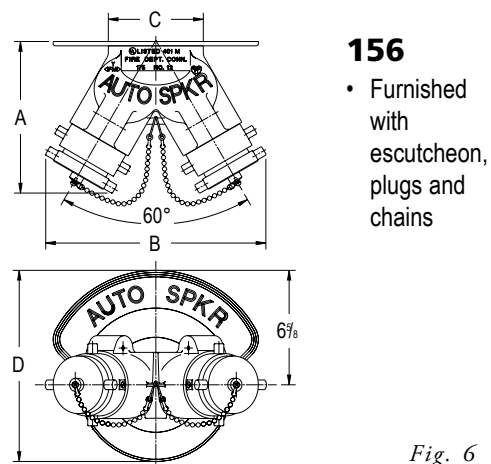


Fig. 6



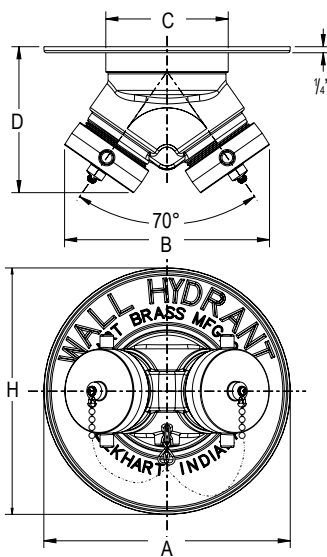
EXPOSED OUTLET

NPT INLET SIZE (Inches)	OUTLET SIZE	MEASUREMENTS (Inches)					AVAILABLE ESCUTCHEON LETTERING	FM Approved	FINISH			Weight (Lbs.)	MODEL	FIGURE
		A	B	C	D	H			Cast Brass	Polished Brass	Polished Chrome			
4	2½	10 ³ / ₁₆	8½	5½	6 ¹ / ₁₆	10 ³ / ₁₆	s		s			13	143*	1
6	2½	11 ⁷ / ₈	12 ⁵ / ₈	7½	11 ¹³ / ₁₆	11 ¹ / ₁₆	s	•		s	o	24	153	2

Key s = standard o = option

* Can order body separately.

FIGURE 1

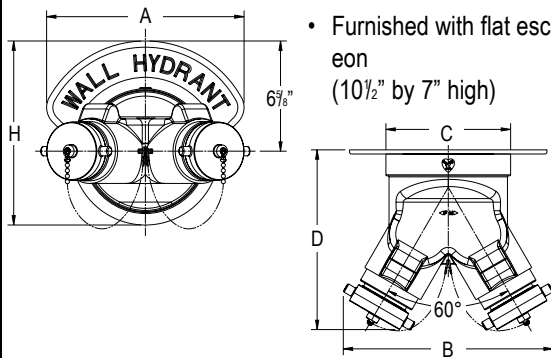


143

- Furnished with aluminum escutcheon with red painted letters

Fig. 1

FIGURE 2



153

- Furnished with flat escutcheon (10½" by 7" high)

Fig. 2

ADDITIONAL INFORMATION

- Bodies rated for 175 psi (12.1 bar).
- Each 2½" M NHT outlet has a rated flow of 250 gpm (946 lpm).
- Supplied with caps (#310) and chains.

THREADS

Unless otherwise noted, all hose threads are NHT. See index T-13 for available optional threads.

Flush

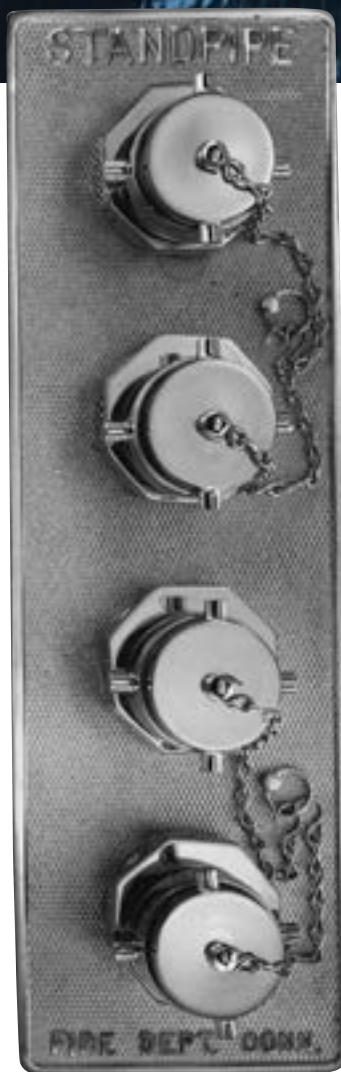
Elkhart offers a wide array of flush and 4-way connections. All connections are cast brass construction.

Wall-mounted options include:

- Inlet models furnished with plugs, chains and an escutcheon.
- Outlet models furnished with caps, chains and an escutcheon.

Four-way connections feature a 6" NPT connection, and come furnished with escutcheons.

- All 4-way inlet connection models feature snoots on each of the four 2½" outlets and are furnished with plug and chain assemblies.
- All 4-way outlet connection models have cap and chain assemblies plus a hex adapter.





FLUSH INLET

NPT OUTLET SIZE (Inches)	INLETS				BODY TYPE	Individual Drop Clapper	MEASUREMENTS (Inches)										CERT		AVAILABLE ESCUTCHEON LETTERING		MATERIAL/ FINISH			Weight (Lbs.)	MODEL	FIGURE		
	NHT (F)		STORZ				Straight	Inverted 90°	A	B	C	D	E	F	G	H	J	FM Approved	U.L. Listed	Auto-Spkr	Standpipe	Standpipe and Auto-Spkr	BRASS					
	1.5"	2.5"	4"	5"																			Polished Brass				Polished Chrome	Elk-O-Lite®
	1	1	2	3																			1				1	1
1½	•					*												s				s	1¼	141	1			
2½	•					*												o	s			s	o	8⅞	151-2.5	1		
	•					*								7	10½			s	o			s	o	11	161-2.5	2		
3	•					*												o	s			s	o	8⅞	151-3	1		
	•					*								7	10½			s	o			s	o	11¼	161-3	2		
4				•		*					6				12			s	o			s	6⅞	171	1			
					•	*				5 ²⁹ / ₃₂					12			s	o			s	10⅞	171	1			
		•				•	•	11	7½	5	6 ⁷ / ₁₆	3 ²⁹ / ₃₂	3 ⁷ / ₃₂		13 ⁷ / ₁₆	•	•	s	o	o		s	o	23	166-4-ST**	3		
		•				•	•	11½	7½	5	6 ⁷ / ₁₆	3 ¹⁹ / ₃₂	3 ³ / ₈	3 ⁷ / ₁₆	5 ⁷ / ₈	13 ⁷ / ₁₆	•		s	o	o		s	o	26¼	166-4-90**	4	
		•				•	•	11 ¹¹ / ₁₆	7½	5	6¼	3¾	3 ³ / ₈	4 ⁷ / ₁₆	7 ⁷ / ₁₆	13 ⁷ / ₁₆			s	o	o		s	o	31	166-4-INV**	5	
6				•		*					6¼				12			s	o			s	7¼	171	1			
					•	*					6¼				12			s	o			s	10¼	171	1			
		•				•	•	11½	7½	7½	8	3¾	3 ³ / ₈		13 ⁷ / ₁₆	•		s	o	o		s	o	30¾	166-6-ST**	3		
		•				•	•	12	7 ⁷ / ₈	7½	7¾	4	4 ⁷ / ₃₂	3 ⁷ / ₁₆	6 ⁵ / ₃₂	13 ⁷ / ₁₆	•		s	o	o		s	o	34 ³ / ₈	166-6-90**	4	
			•			•	•	17 ⁷ / ₁₆	6 ⁷ / ₈	7 ³ / ₈	6 ¹¹ / ₁₆	3 ³ / ₈	4 ¹ / ₁₆		4 ⁷ / ₁₆				s				s	o	68	167-W-ST***	8	
			•			•	•	17¼	6 ⁷ / ₈	7 ⁷ / ₈	8 ⁷ / ₁₆	4 ¹⁹ / ₃₂	4	3 ¹⁵ / ₁₆	5 ¹⁵ / ₁₆	20¼			s				s	o	68	167-W-90***	6	
			•			•	•	17¾	6 ⁷ / ₈	7 ⁷ / ₈	8 ⁷ / ₁₆	4 ¹⁹ / ₃₂	4	3 ¹⁵ / ₁₆	5 ¹⁵ / ₁₆	20¼			s				s	o	68	167-W-INV***	7	

Key s = standard o = option
 * Straight connection adapter.
 ** Can order body separately.
 *** Can order parts (with or without clappers) separately.

ADDITIONAL INFORMATION

- Bodies rated for 175 psi (12.1 bar).
- Each 2½" NHT inlet has a rated flow of 250 gpm (946 lpm).
- Supplied with plug(s) and chain(s).

THREADS

Unless otherwise noted, all hose threads are NHT. See index T-13 for available optional threads.

OTHER PRODUCTS

- See page 13-16 for Flush 4-Way Inlet Connections.
- 2½" nipple required for all 166 and 167-W models. Elkhart Brass does not supply.
- On the 166, the body is roughed in during construction; escutcheon and nipple assemblies are installed after construction. Elkhart Brass personnel can help with construction installation information.

FIGURE 1

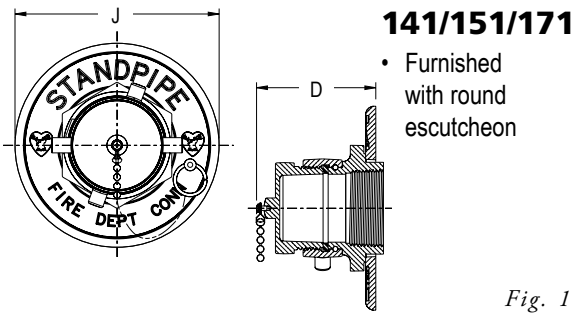


FIGURE 2

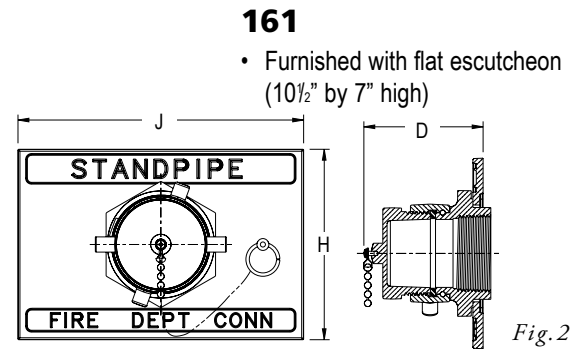


FIGURE 3

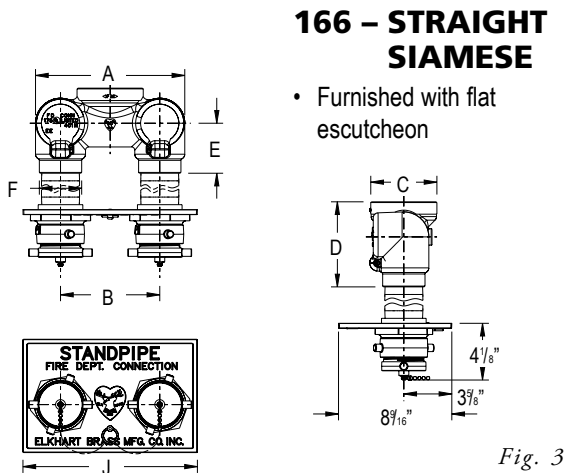


FIGURE 4

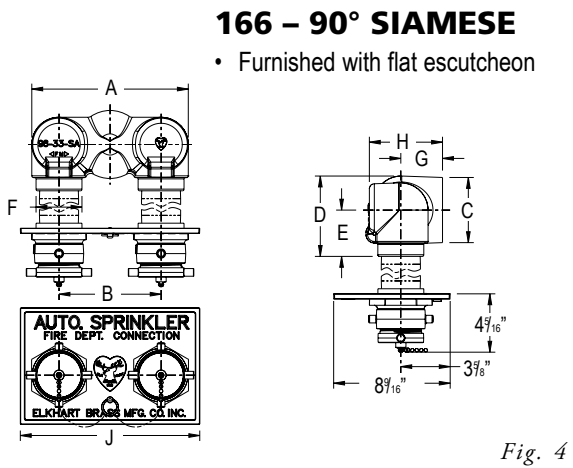


FIGURE 5

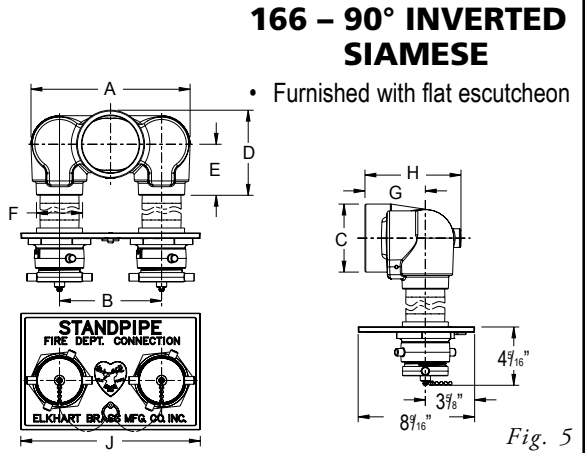


FIGURE 6

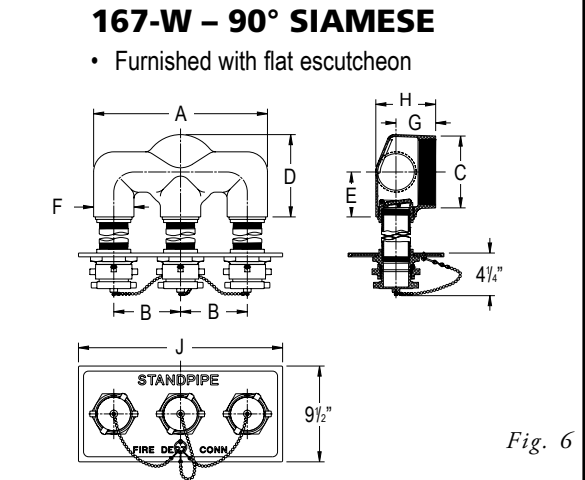


FIGURE 7

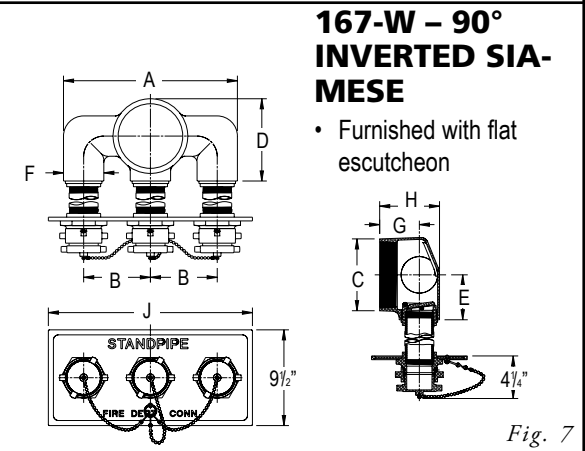
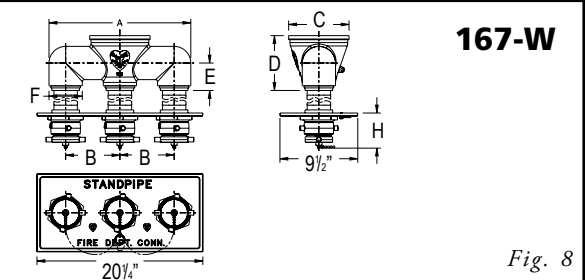


FIGURE 8



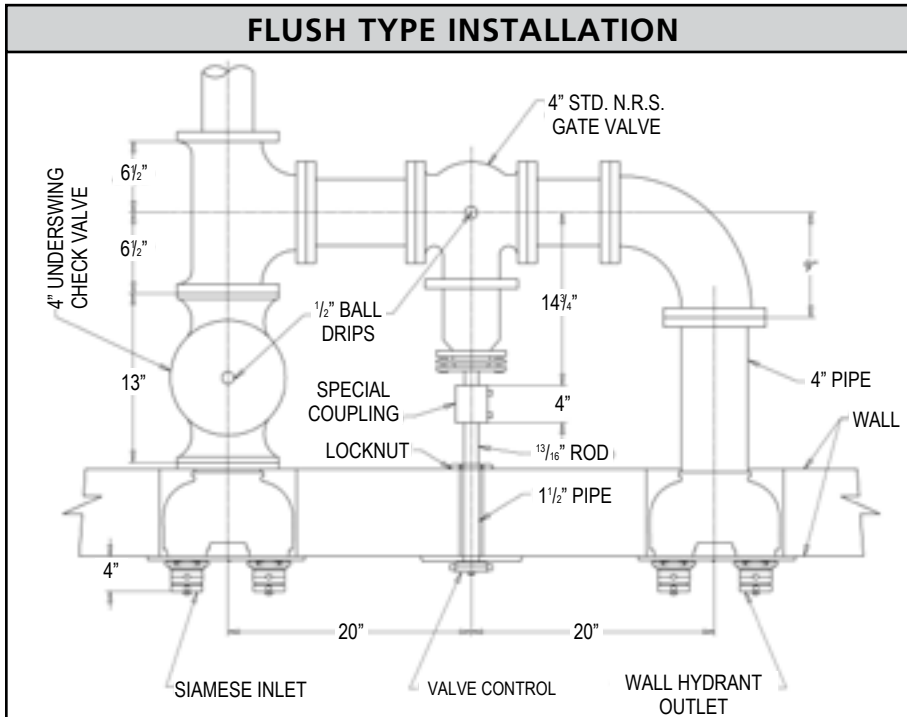


FLUSH 4-WAY INLET

INSTALLATION DIRECTION			BODY TYPE		SNOOT TYPE		MEASUREMENTS (Inches)		PSI (BAR)	CERTIFICATION	AVAILABLE ESCUTCHEON LETTERING				FINISH		Weight (Lbs.)	MODEL	FIGURE
Vertical	Horizontal	Square	Straight	90°	Clapper	Spring Check	A	B	175 (12.1)	U.L. Listed	Auto-Sprkr	Dry Standpipe	Standpipe	Standpipe and Auto-Sprkr	Polished Brass	Polished Chrome			
•				•	•		8	3 ⁹ / ₁₆	•	•	o	o	s	o	s	o	96	780	2
	•			•	•		8	3 ⁹ / ₁₆	•	•	o	o	s	o	s	o	96	781	3
•			•		•		5 ⁷ / ₈	3 ⁹ / ₁₆	•	•	o	o	s	o	s	o	96	782	4
	•		•		•		5 ⁷ / ₈	3 ⁹ / ₁₆	•	•	o	o	s	o	s	o	96	783	5
		•		•		•		3 ³ / ₄	•		o	o	s	o	s	o	107 ⁷ / ₈	739*	1

Key s = standard o = option
 * Can order body separately.

FLUSH TYPE INSTALLATION



ADDITIONAL INFORMATION

- Each 2¹/₂" F NHT inlet has a rated flow of 250 gpm (946 lpm).
- 6" outlet connection.
- Supplied with plugs and chains.

THREADS

Unless otherwise noted, all hose threads are NHT. See index T-13 for available optional threads.

OTHER PRODUCTS

- See page 13-14 for Flush Inlet Connections.
- For 780 and 788 sub-components specifications, see page 13-22.
- 3" NPT nipples required. Elkhart Brass does not supply.

FIGURE 1

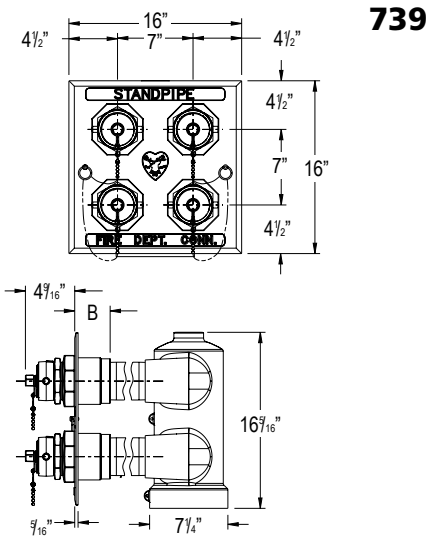


Fig. 1

FIGURE 4

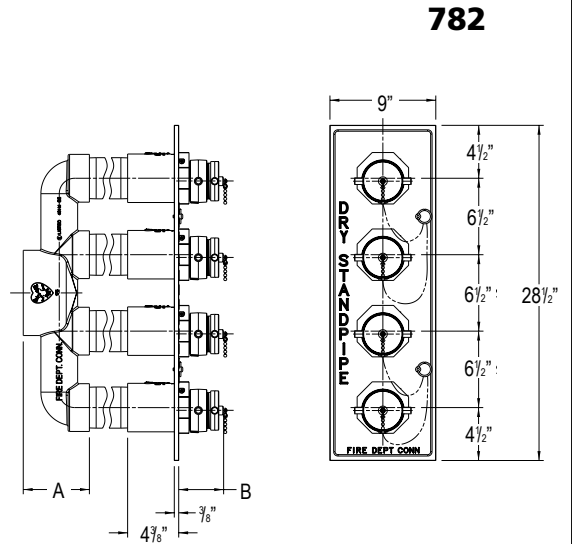


Fig. 4

FIGURE 2

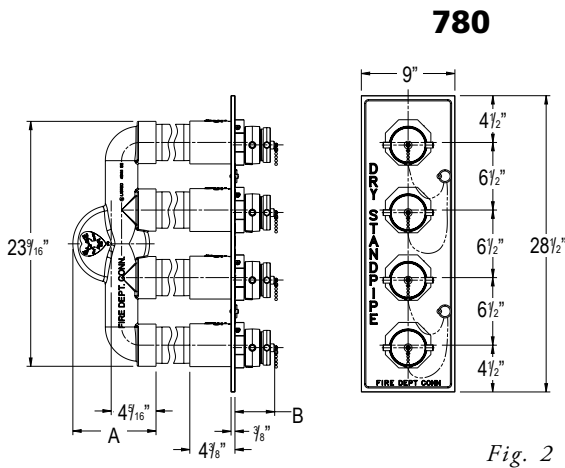


Fig. 2

FIGURE 5

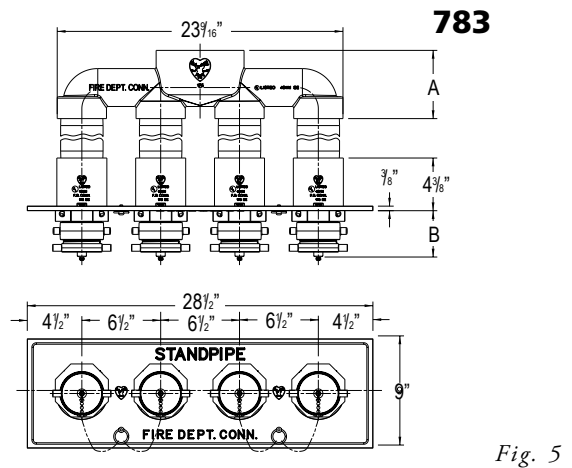


Fig. 5

FIGURE 3

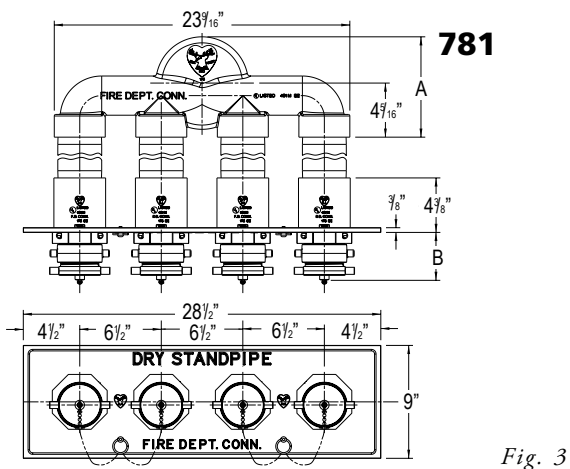


Fig. 3



FLUSH OUTLET

Type	NPT INLET SIZE (Inches)	OUTLETS			BODY TYPE	MEASUREMENTS (Inches)											AVAILABLE ESCUTCHEON LETTERING		FINISH		Weight (lbs.)	MODEL	FIGURE	FM APPROVED
		Number of 2.5" M NHT Outlets				Straight	90°	A	B	C	D	E	F	G	H	J	Pump Test	Wall Hydrant	Polished Brass	Polished Chrome				
		1	2	3																				
Hydrant	2½	•					7½			¾							s	s	o	6¾	152 2.5"	1		
		•					10½			¾				7			s	s	o	9¾	162 2.5"	2		
	3	•					7½			¾							s	s	o	5¾	152 3"	1		
		•					10½			¾				7			s	s	o	8¾	162 3"	2		
	4	•	•			s	13¾	7½				5	6½	8½	11¼		s	s	o	31	163 4" ST*	3	•	
		•	•			o	13¾	7½	¾	¾	6¾	5	6½	5½	11½		s	s	o	28¾	163 4" 90*	4	•	
6	•	•			s	13¾	7½				7½	8	8½	11½		s	s	o	35¾	163 6" ST*	3	•		
	•	•			s	12	7½	4¾	¾	4	7½	7¾	6¾			s	s	o	32¾	163 6" 90*	4	•		
Pump Test Connections	4	•	•		s	13¾	7½				5	6½	8½	11¼		s		o	31	163P 4" ST	3	•		
		•	•		s	13¾	7½	¾	¾	6¾	5	6½	5½	11½		s		o	28¾	163P 4" 90	4	•		
	6	•	•		s	13¾	7½				7½	8	8½	11½		s		o	35¾	163P 6" ST	3	•		
		•	•		s	13¾	7½	¾	¾	4	7½	7¾	¾	12		s		o	32¾	163P 6" 90	4	•		
			•	•	s	20½	6½				7½	6½	9½	17½		s		o	68	167-WP	5			
			•	•	s	20¾	6½				7½	8½	9½	17¼		s		o	70½	167-WP 90	6			

Key s = standard o = option
* Can order body separately.

ADDITIONAL INFORMATION

- Bodies rated for 175 psi (12.1 bar).
- Each 2½" NHT outlet has a rated flow of 250 gpm (946 lpm).
- Supplied with cap(s) (#310) and chain(s).

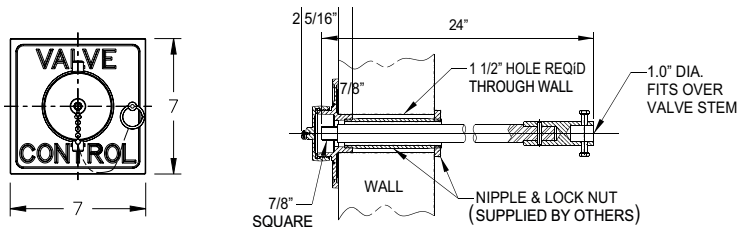
THREADS

Unless otherwise noted, all hose threads are NHT. See index T-13 for available optional threads.

OTHER PRODUCTS

- See page 13-20 for Flush 4-Way Outlet Connections.
- 2½" NPT nipple required for all 163, 163P and 167 WP models. Elkhart Brass does not supply.
- On the 163 and 163P, the body is roughed in during construction; escutcheon and nipple assemblies are installed after construction. Elkhart Brass personnel can help with construction installation information.

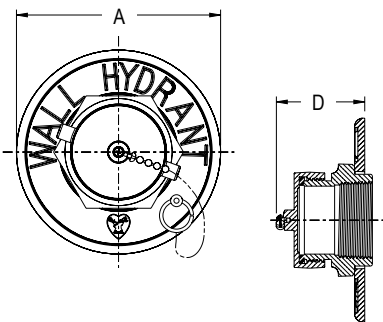
OPTIONS



164

- **164** – A cast brass valve control for use with Elkhart's model 163 is available. The 164 comes with a 7/8" square steel extension rod that is 24" long and has a special coupling for attaching to stem of gate valve. Additionally, a cap, chain and 7" square escutcheon are included. Please specify polished brass or polished chrome-plated. (Note: a 2½" hole is required in the installation wall.)
- **480** – Tee handle used with 164 control valve.

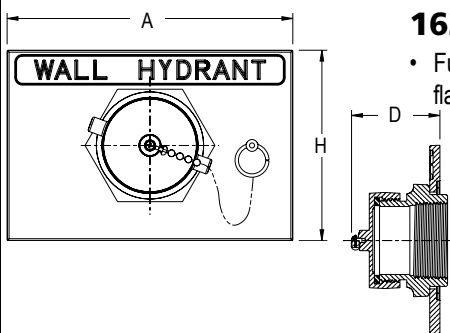
FIGURE 1



152
 • Furnished with 7½" round escutcheon

Fig. 1

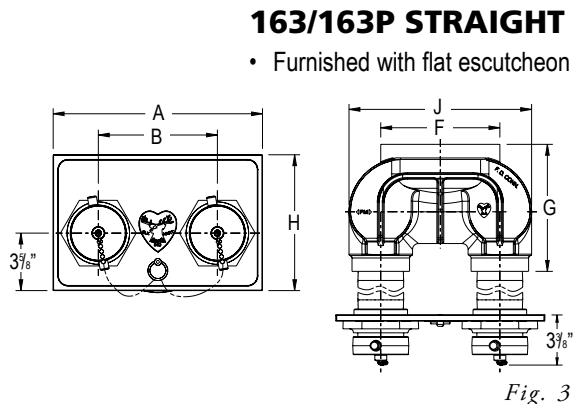
FIGURE 2



162
 • Furnished with flat escutcheon (10½" by 7" high)

Fig. 2

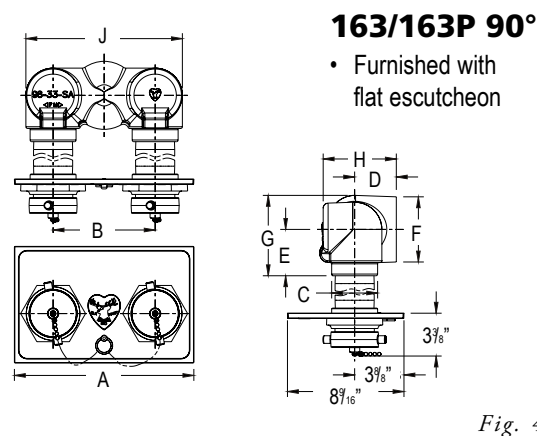
FIGURE 3



163/163P STRAIGHT
 • Furnished with flat escutcheon

Fig. 3

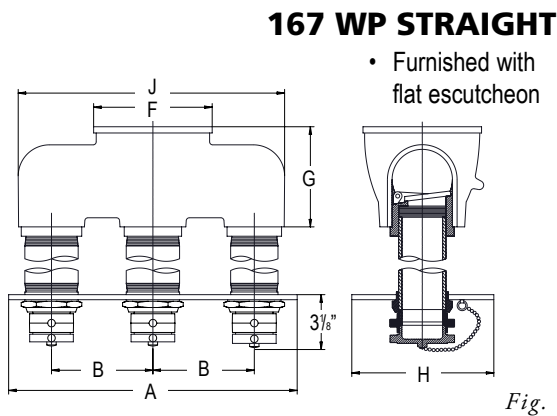
FIGURE 4



163/163P 90°
 • Furnished with flat escutcheon

Fig. 4

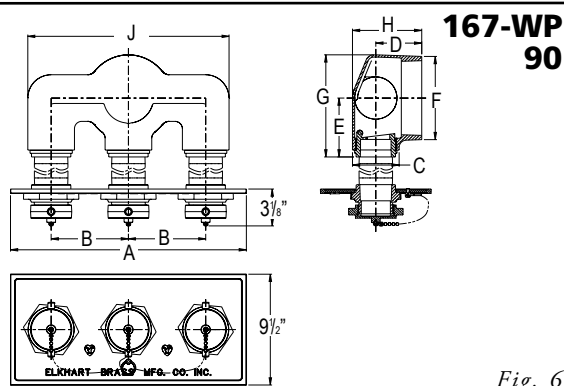
FIGURE 5



167 WP STRAIGHT
 • Furnished with flat escutcheon

Fig. 5

FIGURE 6



167-WP 90

Fig. 6

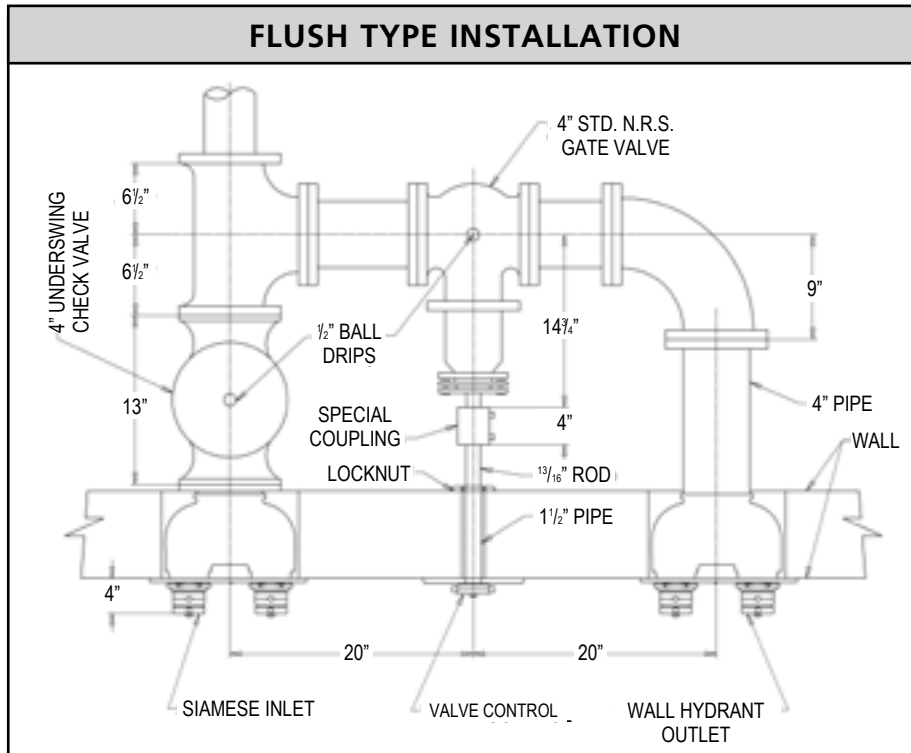


FLUSH 4-WAY OUTLET

INSTALLATION DIRECTION			BODY TYPE		AVAILABLE ESCUTCHEON LETTERING		FINISH		Weight (Lbs.)	MODEL	FIGURE
Vertical	Horizontal	Square	Straight	90°	Hydrant	Pump Test Conn.	Polished Brass	Polished Chrome			
•			•		s		s	o	92	784	2
	•		•		s		s	o	92	785	3
	•			•	s		s	o	92	787	4
		•		•	s		s	o	109 ¹ / ₄	743	1
•			•			s	s	o	92	784-P	2
	•		•			s	s	o	92	785-P	3

Key s = standard o = option

FLUSH TYPE INSTALLATION



ADDITIONAL INFORMATION

- Each 2¹/₂" M NHT outlet has a rated flow of 250 gpm (946 lpm).
- Inlet connection is a 6" NPT.
- Supplied with caps (#310) and chains.
- Bodies rated for 175 psi (12.1 bar).

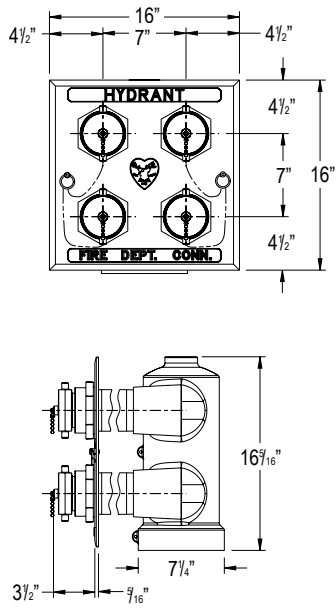
THREADS

Unless otherwise noted, all hose threads are NHT. See index T-13 for available optional threads.

OTHER PRODUCTS

- See page 13-18 for Flush Outlet Connections.
- 3" NPT nipple required. Elkhart Brass does not supply.

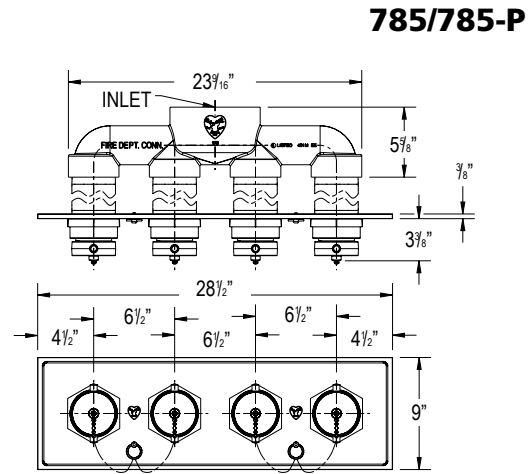
FIGURE 1



743

Fig. 1

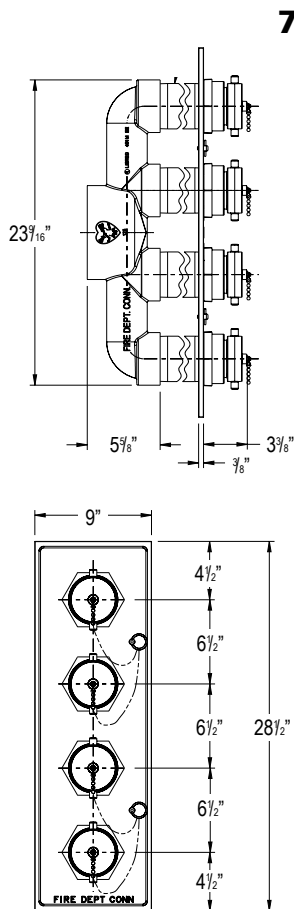
FIGURE 3



785/785-P

Fig. 3

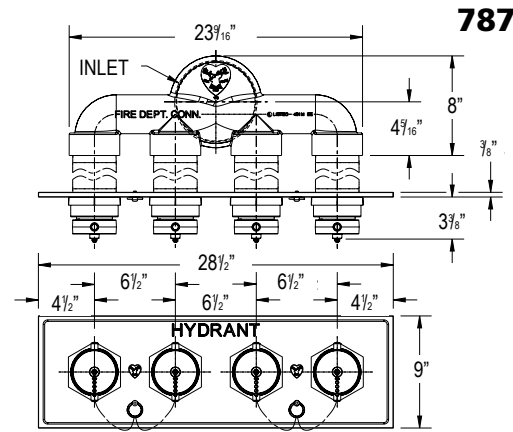
FIGURE 2



784/784-P

Fig. 2

FIGURE 4



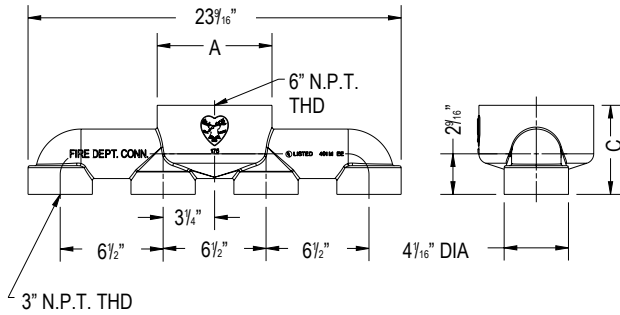
787

Fig. 4



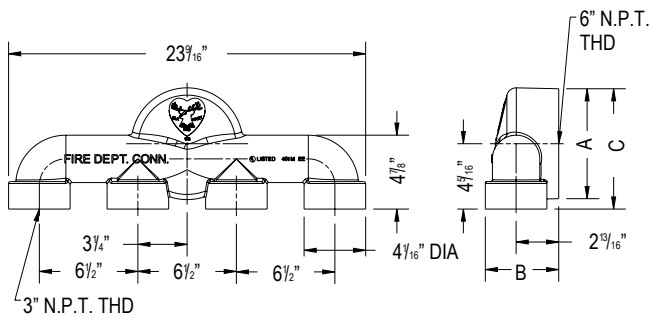
BODY SUB-ASSEMBLIES

4-WAY STRAIGHT MANIFOLD



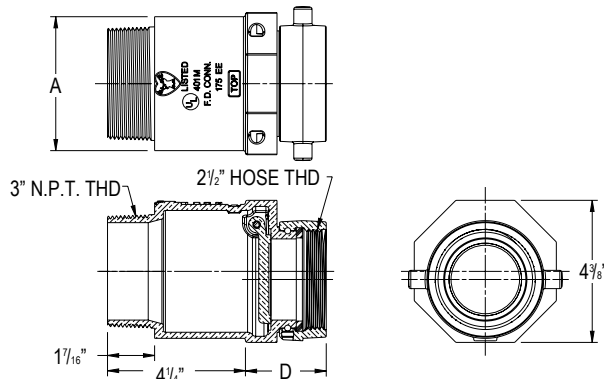
PRODUCT INFORMATION	MODELS
	710
Size (Inches)	6" x (4) 3"
Escutcheon opening size (Inches)	4 1/4"
Dimension A (Inches)	7 1/4"
Dimension C (Inches)	5 5/8"
Material	Cast Brass
Elkhart products used in	782, 783, 784, 785
Additional uses	With Elkhart's 720 Clapper Snoot (without nipples) as an exposed inlet connection
Weight (Lbs.)	28 1/2"
PSI (BAR)	175 (12.1)
Certifications	U.L. Listed

4-WAY 90° MANIFOLD



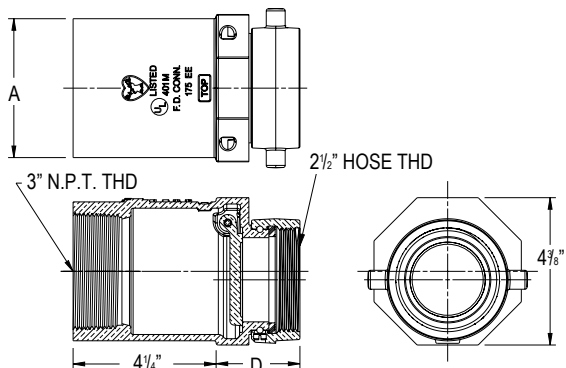
PRODUCT INFORMATION	MODELS
	711
Size (Inches)	6" x (4) 3"
Escutcheon opening size (Inches)	4 1/4"
Dimension A (Inches)	7 1/4"
Dimension B (Inches)	4 13/16"
Dimension C (Inches)	7 15/16"
Material	Cast Brass
Elkhart products used in	780, 781, 786, 787
Additional uses	With Elkhart's 720 Clapper Snoot (without nipples) as either a side walk intake connection or an exposed dry standpipe inlet connection
Weight (Lbs.)	28"
PSI (BAR)	175 (12.1)
Certifications	U.L. Listed

MALE CLAPPER SNOOT



PRODUCT INFORMATION	MODELS
	720
Openings (Inches)	3" M x 2.5" F
Dimension A (Inches)	4 1/4"
Dimension D (Inches)	2 1/2"
Material/Finish	Cast brass with polished brass exposed parts (optional chrome plated available)
Additional uses	Single fire department connection (plug and chain available separately)
Weight (Lbs.)	9 1/2"
PSI (BAR)	175 (12.1)
Certifications	U.L. Listed

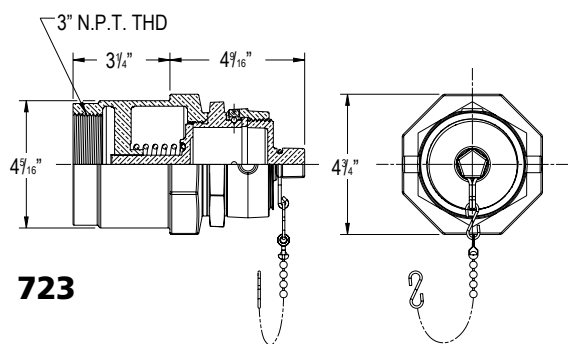
FEMALE CLAPPER SNOOT



721

PRODUCT INFORMATION	MODELS
	721
Size (Inches)	3" F x 2.5" F
Dimension A (Inches)	4 1/8"
Dimension D (Inches)	2 1/2"
Material/Finish	Cast brass with polished brass exposed parts (optional chrome plated available)
Elkhart products used in	780, 781, 782, 783
Additional uses	Single fire department connection (plug and chain available separately)
Weight (Lbs.)	9 1/2"
PSI (BAR)	175 (12.1)
Certifications	U.L. Listed

FEMALE SPRING CHECK SNOOT



723

Sizes (Inches)	3" F x 2 1/2" or 3" F x 3"
Material/Finish	Cast brass with polished brass exposed parts (optional chrome plating available)
Available with	Plug
Spring check action	Open @ 10 psi (0.69 bar) Flows 250 GPM (946 lpm) @ 12 psi (0.83 bar) Flows 500 GPM (1893 lpm) @ 24 psi (1.65 bar)
Weight (Lbs.)	12 1/4 or 11 3/5

ADDITIONAL INFORMATION

Components rated for 175 psi (12.1 bar), unless otherwise specified.

THREADS

- 710 and 711 are NPT on all connections.
- 720, 721, and 723 feature NPT Inlets, while the outlets are hose thread (NHT). See index T-13 for available optional hose threads.

OTHER PRODUCTS

- Flush Siamese (utilizing the components) are available on page 13-16.
- Caps and plugs are available on page 11-1.
- Escutcheons available on page 13-27.



ROOF MANIFOLDS & CONNECTIONS

Roof Manifolds & Connections

Elkhart provides several choices in roof manifolds and connections. Roof manifolds provide water control (on mounted building or adjacent buildings) when used with angle hose valves while the roof connections can be used to disperse water to adjacent buildings. All options offer cast brass construction and 2½" outlets rated at 250 gpm (946 lpm) per outlet.



BUILDING CONNECTIONS

12-21



INLET SIZE (Inches)	OUTLET				CERT.	MEASUREMENTS (Inches)						Weight (Lbs.)	MODEL	FIGURE
	NUMBER		STYLE			U.L. LISTED	A	B	C	D	E			
	2	3	MALE	FEMALE										
4	•		•		•	5 ⁵ / ₈	3 ¹¹ / ₁₆	4 ³ / ₈	2 ³ / ₈	5 ¹ / ₈	4 ¹⁵ / ₁₆	8	168	1
	•			•	•	5	7 ¹ / ₂	11	6 ⁷ / ₁₆			26 ¹ / ₄	158	3
	•			•	•	5	6 ⁵ / ₈	12 ³ / ₈	5 ⁷ / ₈			16 ¹ / ₄	159	4
	•		•		•	5 ¹ / ₁₆	5 ⁷ / ₁₆	7 ⁷ / ₈	5 ³ / ₈			9 ³ / ₄	751	6
		•	•		•	4 ¹ / ₅	5 ¹ / ₄	4 ¹³ / ₁₆	2 ¹ / ₂		4 ³ / ₈	10 ¹ / ₄	168	2
		•		•	•	5	6 ⁵ / ₈	19	5 ⁷ / ₈			27 ¹ / ₄	159	4
6	•		•		•	5 ⁵ / ₈	4 ¹¹ / ₁₆	4 ¹⁵ / ₁₆	2 ⁵ / ₈	7 ¹ / ₄	5 ¹¹ / ₁₆	14 ¹ / ₄	168	1
	•			•	•	7 ¹ / ₂	7 ¹ / ₂	11 ¹ / ₂	8			26 ¹ / ₄	158	3
	•			•	•	7 ¹ / ₄	6 ⁵ / ₈	12 ³ / ₈	7 ¹⁵ / ₁₆			31 ¹ / ₄	159	4
	•		•		•	7 ¹ / ₂	9 ¹ / ₂	10 ¹¹ / ₁₆	8			20 ¹ / ₄	755	7
		•	•		•	5 ¹ / ₄	7 ¹ / ₄	4 ¹⁵ / ₁₆	2 ¹¹ / ₁₆		5 ³ / ₈	15 ¹ / ₄	168	2
		•		•	•	7 ³ / ₈	6 ⁵ / ₈	17 ¹ / ₄	6 ¹ / ₈			24 ³ / ₈	158	3
		•		•	•	7 ¹ / ₄	6 ⁵ / ₈	19	7 ¹⁵ / ₁₆			42 ³ / ₄	159	4
	•		•	•	7 ¹ / ₂	4 ³ / ₄	10 ¹¹ / ₁₆	10 ¹ / ₂			20 ³ / ₈	761	5	

ADDITIONAL INFORMATION

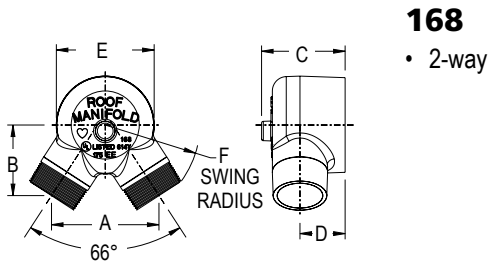
- When ordering, specify model number, inlet size and number of outlets.
- Each outlet has a rated flow of 250 gpm (946 lpm).
- Roof manifolds can be used in alternate applications and/or to test fire pump systems.

THREADS

All threads are NPT unless otherwise specified.



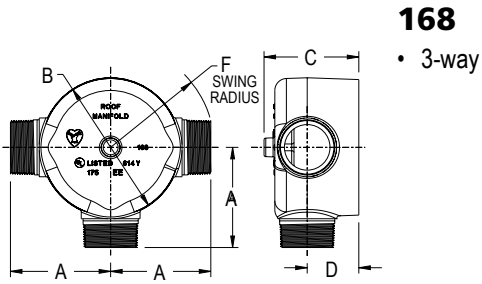
FIGURE 1



168
• 2-way

Fig. 1

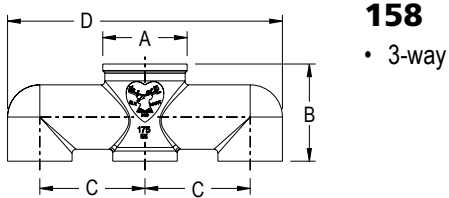
FIGURE 2



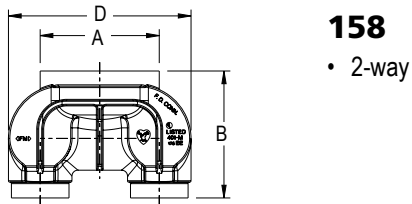
168
• 3-way

Fig. 2

FIGURE 3



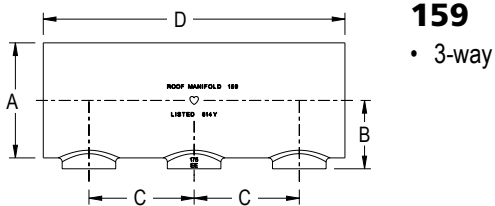
158
• 3-way



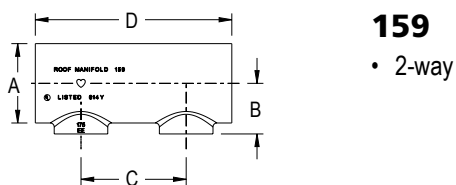
158
• 2-way

Fig. 3

FIGURE 4



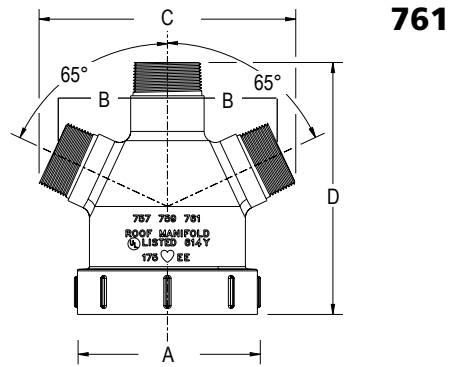
159
• 3-way



159
• 2-way

Fig. 4

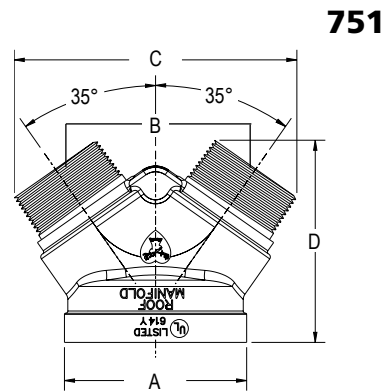
FIGURE 5



761

Fig. 5

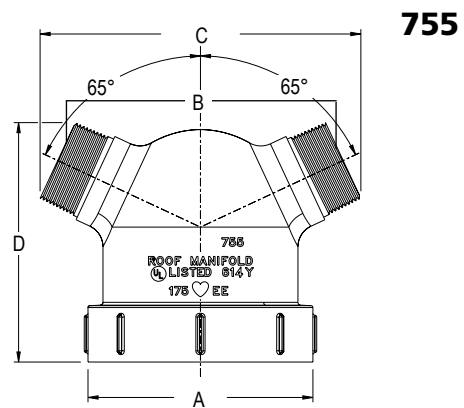
FIGURE 6



751

Fig. 6

FIGURE 7



755

Fig. 7

ROUND ESCUTCHEON PLATE



MEASUREMENTS				AVAILABLE LETTERING OPTIONS							MATERIAL/FINISH					Weight (Lbs.)	MODEL
Pipe size (Inches)	Inside diameter	Outside diameter	Thickness	Automatic Sprinkler	Dry Standpipe	Hydrant	Pump Test Conn.	Standpipe	Standpipe & Automatic Sprinkler	Wall Hydrants	Brass			Aluminum			
											Polished	Rough	Satin	Chrome-plated	Red urethane		
1 1/2	1 15/16	3	15/32											s		1/8	589-1.5
2 1/2	2 59/64	4 13/32	3/16											s		5/16	589-2.5
4	4 3/16	10 3/16	1/4	•	•	•	•	•	•	•					s	1	590-4-A
	4 3/16	10 3/16	1/4	•	•	•	•	•	•	•	o		s	o		3 1/8	590-4-B
6	6 11/16	12	3/8	•	•	•	•	•	•	•					s	2 1/8	590-6-A
	6 11/16	12	3/8	•	•	•	•	•	•	•	o		s	o		6 7/8	590-6-B

Key s = standard o = option

RECTANGULAR ESCUTCHEON PLATE



MEASUREMENTS (Inches)		AVAILABLE LETTERING OPTIONS							MATERIAL				Weight (Lbs.)	MODEL
Length	Width	Auto-Sprinkler	Auto-Sprk/Stdp	Dry Standpipe	Pump Test	Sprinkler	Standpipe	Wall Hydrant	Cast Aluminum	Cast Brass	Polished Brass	Polished Chrome		
11 1/2	4 1/2						•		s				3/4	591-A
11 1/2	4 1/2						•			s			2 5/8	591-B
11 1/2	4 1/2					•			s				3/4	592-A
11 1/2	4 1/2					•				s			2 5/8	592-B

Key s = standard o = option

ADDITIONAL INFORMATION

Caps and plugs are available on page 11-1.