



EXPOSED INLET

NPT OUTLET SIZE (Inches)	NUMBER OF 2.5" F NHT INLETS		CLAPPER		MEASUREMENTS (Inches)					AVAILABLE LETTERING			CERTI- FICATIONS		FINISH			Weight (Lbs.)	MODEL	FIGURE
	2	3	Individual Drop	Swinging	A	B	C	D	Swing Radius	Auto-Spkr	Standpipe	Standpipe and Auto-Spkr	FM Approved	U.L. Listed	Cast Brass	Polished Brass	Polished Chrome			
4.0	•			•	5 ¹⁵ / ₁₆	9 ⁷ / ₈	5 ¹ / ₁₆	4		s			•	•	s			9	11	1
	•		•		7 ⁹ / ₁₆	11 ⁷ / ₁₆	5 ¹ / ₄			s	o		•	•	s	o	o	16	12 4"	3
	•		•		8 ³ / ₄	12 ³ / ₄	5 ¹ / ₂	11 ¹ / ₁₆		s	o	o	•	•		s	o	24 ¹ / ₂	156 4"	6
	•		•		9 ³ / ₁₆	11 ³ / ₄	5 ¹ / ₄	5 ¹ / ₁₆	7 ³ / ₈	s	o		•	•	s	o	o	20 ¹ / ₂	10 4"	4
6.0		•	•		8 ⁷ / ₈	13 ¹⁵ / ₁₆	7 ¹ / ₄	4							s	o	o	25 ¹ / ₂	18 6" *	2
	•		•		10	11 ¹ / ₂	7 ¹ / ₂			s	o		•		s	o	o	25	12 6"	3
	•		•		10 ¹⁵ / ₁₆	12 ³ / ₄	7 ¹ / ₂	11 ¹ / ₁₆		s	o	o	•		s	o	o	33 ³ / ₄	156 6"	6
	•		•		11 ⁹ / ₁₆	11 ³ / ₁₆	7 ¹ / ₂	5 ⁹ / ₁₆	8 ⁹ / ₁₆	s	o		•		s	o	o	23 ³ / ₄	10 6"	4
		•	•		11 ¹ / ₈	11 ⁷ / ₈	7 ¹ / ₈		7 ¹³ / ₁₆						s	o	o	25	29	5

Key s = standard o = option
 * Escutcheons available separately.

ADDITIONAL INFORMATION

- Elkhart's intake connections bodies are rated for 175 psi (12.1 bar).
- Each 2¹/₂" NHT inlet has a rated flow of 250 gpm (946 lpm).
- Model 156 supplied with plug (#311) and chains.

THREADS

Unless otherwise noted, all hose threads are NHT. See index T-13 for available optional threads.

OTHER PRODUCTS

See page 11-1 for available chains and plugs.

FIGURE 1

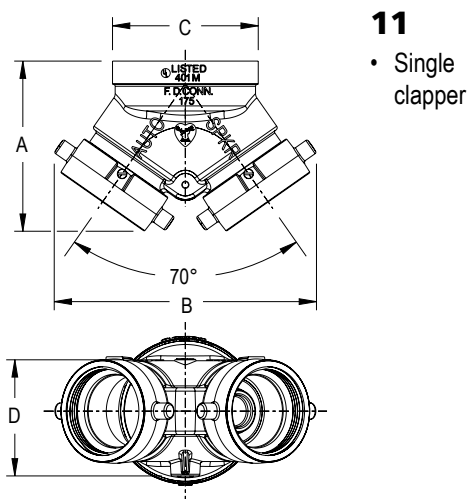


Fig. 1

FIGURE 4

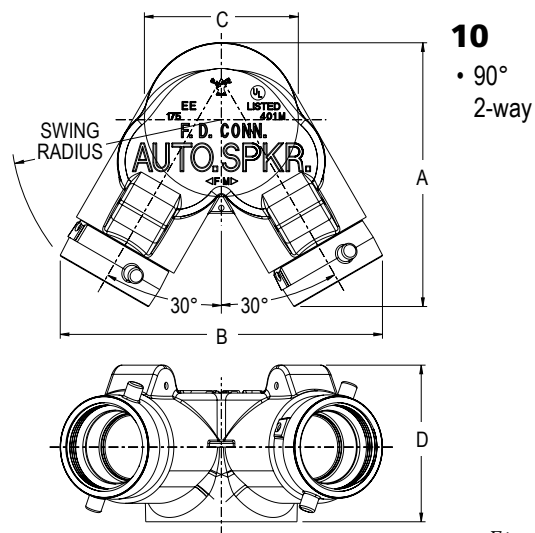


Fig. 4

FIGURE 2

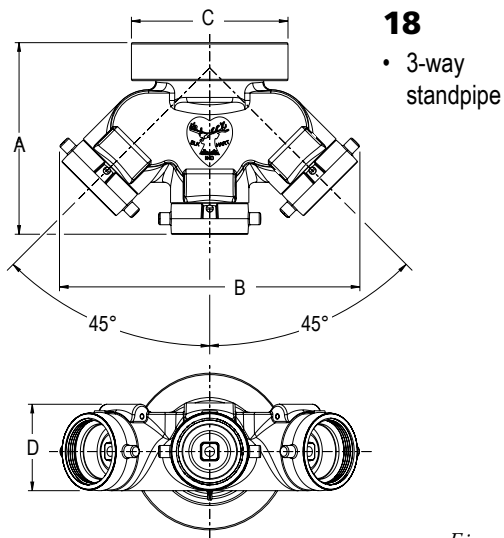


Fig. 2

FIGURE 5

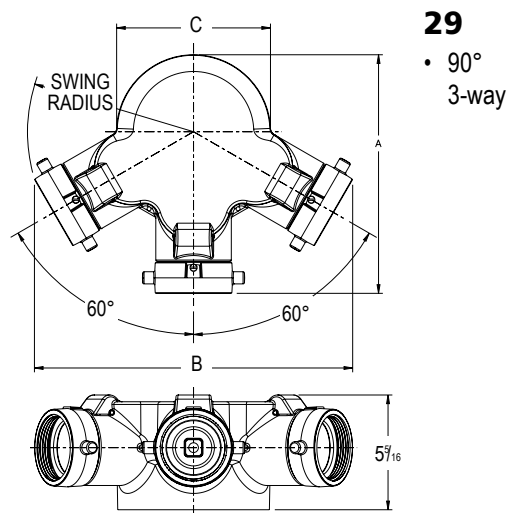


Fig. 5

FIGURE 3

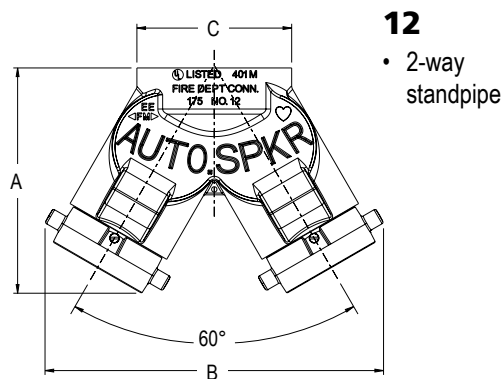


Fig. 3

FIGURE 6

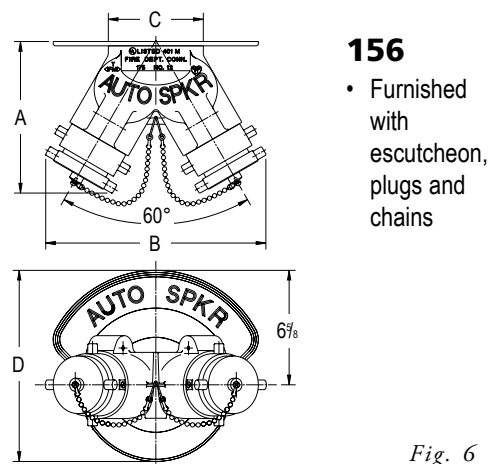


Fig. 6