

ELKHART  BRASS

BETTER CONNECTIONS

ELKHART  BRASS

04-2022

Copyright ©2022 Safe Fleet and its subsidiaries. All rights reserved. No part of this publication may be reproduced by any means without written permission from Safe Fleet. The information in this publication is believed to be accurate. However, Safe Fleet does not make any representation or warranty to that effect and does not assume responsibility for any consequences resulting from use of such information. Revisions or new editions of the publication may be issued (or not issued) in our discretion to incorporate such changes.

+1 574-295-8330
elkhartbrass.com



BUILDING SYSTEMS FIRE EQUIPMENT
STANDPIPE VALVES / BUILDING CONNECTIONS / STANDPIPE ESSENTIALS / FLOW TESTING



TAKING SAFETY TO HART



BETTER EQUIPPED FOR SAFETY

Understanding the needs of building owners, contractors, fire protection engineers and firefighters, and offering quality products and solutions set Elkhart Brass apart. We are the industry's most experienced manufacturer of innovative firefighting and fire protection equipment. Manufacturing over 2,000 products, used in virtually every aspect of firefighting, makes Elkhart Brass a leader. Our products are found in building systems around the world, in fire departments and off-shore drilling sites, as well as in military, marine, mining and other industrial firefighting applications.

VALVES

Standpipe Valves	07
URFA™ Field Adjustable Pressure Reducing Valves	09
UR Factory Set Pressure Reducing Valves	11
UP Pressure Restricting Valves	13
U Angle Hose Valves	15

BUILDING CONNECTIONS

Free Standing	19
Exposed	21
Flush	24
Flush Inlet	25
Flush 4-way Inlet	27
Flush Outlet	29
Flush 4-way Outlet	31
Body Sub-Assemblies	33
Roof Manifolds	35
Escutcheon Plates	37

STANDPIPE ESSENTIALS

Standpipe Bag	39
Digital / Analog Gauges	41

FLOW ESSENTIALS

Flow Meter	43
Flow Testing	45

MORE INFORMATION

47

WHO WE ARE

WE'VE BEEN AROUND

Well known for its commitment to quality, value and customer service, Elkhart Brass celebrated its 100th anniversary in 2002. In 2015, Elkhart Brass was acquired by Safe Fleet creating the leading global provider of safety solutions for fleet vehicles. The combination of Elkhart Brass with FRC and Foam Pro enables the company to develop integrated systems of monitors, valves, foam proportioning, and electronic controls for the global emergency market. Elkhart Brass still operates at its original site in Elkhart, Indiana, utilizing the in-house foundry where aluminum and brass are poured daily. In addition to manufacturing, Elkhart Brass also specializes in product research and development, engineering, and product testing thanks to 3D rapid prototyping capabilities, a dedicated flow test facility, and a complete product machine shop.

CERTIFICATIONS AND QUALITY

Elkhart Brass is committed to quality, as demonstrated by its ISO-9001 Registered Quality System. Striving for ways to streamline processes while maintaining the quality craftsmanship customers expect, the company has excelled. An on-site foundry assures accurate documentation and quality of materials. On-site testing facilities are also a benefit. Because firefighting is a dangerous occupation, the company makes a serious commitment to you by doing everything in its power to assure that when you use Elkhart Brass products, you have the highest quality and safest equipment available in the industry. As part of that commitment to quality, it continually strives to evaluate and innovate products, including upgrading certification credentials. Contact Elkhart Brass for further details or questions about a specific certification.

WARRANTY

Products are warranted in accordance with and subject to terms and conditions of Seller's standard Warranty Statement in effect on the date the applicable order is submitted. See Warranty Statement on website at www.safefleet.net/documents/ and download Elkhart Brass warranty document or use mobile phone to view here:



BUILDING SYSTEMS EDUCATION AND FACT-BASED EQUIPMENT SELECTION

Utilizing some of the country's top high rise firefighting instructors, we are checking our emotions at the door and presenting the pros and cons of the relevant firefighting and protection topics. Part Art. Part Science. This educational video series will be sure to leave you better informed about valves, building connections, flow essentials and other operations as a discipline.

Watch the entire series at : BrassTacksHardFacts.com



MOBILE APP



EVERYTHING NEEDED FOR FLOW TESTING NOW AT YOUR FINGERTIPS

- Smooth Bore Discharges & Flow/Pressure
- Nozzle Reaction for Smooth Bore Nozzles
- Nozzle Reaction for Fog Nozzles
- Pump Discharge Pressure for standard layouts, with ability to input hose coefficient depending on make and inside diameter
- Pump Discharge Pressure with elevation changes and appliances
- Pump Discharge Pressure for high-rise layouts
- Fire flow formula calculators for both the NFA and Iowa Formulas
- Also included in the app are direct links to the Brass Tacks Hard Facts video series

AVAILABLE FOR FREE DOWNLOAD



STANDPIPE VALVES

**FIELD ADJUSTABLE REDUCING
FACTORY SET REDUCING
PRESSURE RESTRICTING
ANGLE HOSE**

ELKHART BRASS



FIELD ADJUSTABLE REDUCING / FACTORY SET REDUCING / PRESSURE RESTRICTING / ANGLE HOSE

STANDPIPE VALVES



URFA™ Field Adjustable Pressure Reducing Valves

The Elkhart Brass URFA™ field adjustable pressure reducing valve (PRV) is the original fire ground adjustable valve used worldwide. It provides firefighters the ability to easily adjust valve outlet pressure to ensure adequate reach, safety of the firefighter, and efficient attack and extinguishing of fire. The URFA valve design incorporates the flexibility and reliability required by modern high-rise sprinkler systems and standpipe fire protection applications. The URFA valves are UL Listed and City of New York Fire Department approved.

- Support up to 400 psi (27.6 BAR) inlet pressure under both flow and static conditions
- Easy to operate with less than 15 ft/lbs to open/close or adjust pressure setting
- Gauge taps for ease of pressure gauge install, and supervisory switch for tamper proofing
- 2.5" FNPT inlet
- 2.5" FNPT and NHT outlet
- Angle and straight valve options



UR Factory Set Pressure Reducing Valves

The Elkhart Brass UR factory set pressure reducing valve is designed to operate automatically via inner hydraulic controls without diaphragms, springs or outside control mechanism. The action of the pressure reducing valve is completely dependent on the conditions at the nozzle or sprinkler system. The UR valves are UL Listed.

- Support up to 400 psi (27.6 BAR) inlet pressure under both flow and static conditions
- Most flow efficient of its class supporting up to 500 gpm (1900 LPM) flow rate
- Brass construction allows for use in corrosive and non-corrosive environment applications
- 1.5" and 2.5" FNPT inlet
- 1.5" and 2.5" FNPT and NHT outlet



UP Pressure Restricting Valves

The Elkhart Brass UP pressure restricting valves design enables a range of valve outlet pressures adjustment under flowing condition. The UP valves are both factory and field settable and are available in 1.5" and 2.5" inlet/outlet sizes and offered in angle style with NPT and NHT threading options. The UP valves are UL Listed and FM Approved.

- Compact size enables ease of installation
- Support up to 400 psi (27.5 BAR) static and dynamic pressure
- Supports up to 500 gpm (1900 LPM) flow rate
- Brass and bronze construction enable use in corrosive and non-corrosive environment
- 1.5" and 2.5" FNPT inlet
- 1.5" and 2.5" FNPT and NHT outlet



U Angle Hose Valve

The Elkhart Brass U angle valves are used in firefighting piping systems as Fire Department outlet connection or Fire Hose Rack assembly connection. They are available in 1.5" and 2.5" inlet/outlet sizes and offered in angle style with NPT and NHT threading options. The U valves are UL Listed and FM Approved.

- Compact size enables ease of installation
- Support up to 300 psi (20.6 BAR) static and dynamic pressure
- Supports up to 500 gpm (1900 LPM) flow rate
- Brass and bronze construction enable use in corrosive and non-corrosive environment
- 1.5" and 2.5" FNPT inlet
- 1.5" and 2.5" FNPT and NHT outlet

Designed for flow efficiency, ease of install and rapid deployment, the Elkhart Brass standpipe valves offer the reliability and versatility required for modern high-rise and standpipe fire protection applications. These valves have major global and regional certifications in UL, FM and City of New York approval and comply with NFPA 14 requirements.

URFA™ FIELD ADJUSTABLE PRESSURE REDUCING VALVES



Elkhart's patented URFA™ valve is a true pressure reducing valve operated automatically by inner hydraulic controls. While the valves are pre-set at the factory, they are field adjustable, allowing the user to manually adjust the pressure. The URFA features manual valve open and close, as well as pressure adjustment, all of which require extremely low torque to change. Inlet pressure up to 400 psi (27.6 BAR) is controlled under all-flow and no-flow conditions. Valve size and weight permit installation in significantly tighter areas and smaller hose cabinets (those used for 1.5" or 2.5" valves) allowing savings of both space and money. The URFA also functions as a floor control valve in automatic sprinkler systems as well as a standpipe valve or hose valve for Class I and Class III systems.

FEATURES:

- Reduces pressure under flow and no-flow conditions
- Static pressure rated up to 400 psi (27.6 BAR)
- Flow rated up to 500 gpm (1900 LPM)
- Low torque manual open/close requires less than 15 ft/lbs
- 4 pressure gauge taps on both inlet and outlet sides
- Compact valve design enables small constraint installation
- 180° view of open/close indication
- Color-coded pressure adjustment indicator
- Optional supervisory switch for "OPEN TO SIGNAL" or "CLOSE TO SIGNAL"
- UL Listed and City of New York Fire Department approved
- Complies with NFPA 13 and NFPA 14



URFA-20

- 2.5" female NPT inlet x 2.5" female NPT
- Rough Brass finish
- Chrome Finish optional



URFA-20S

- 2.5" female NPT inlet x 2.5" female NPT
- Rough Brass finish
- Chrome Finish optional



URFA-25

- 2.5" female NPT inlet x 2.5" male NHT
- Rough Brass finish
- Chrome Finish optional



UR FACTORY SET PRESSURE REDUCING VALVES



Elkhart's Pressure-Matic® is a true pressure reducing valve, operated automatically by inner hydraulic controls. No diaphragms, springs or outside controls are involved with the unit, the action being completely dependent upon conditions at the nozzle or sprinkler system. Elkhart Brass offers 18 different valve pressure types/ranges for building systems. Inlet pressure up to 400 psi (27.6 BAR) is controlled under all flow and no-flow conditions. The UR valve series may be used as a standard shut-off. The valves are completely tamperproof. They fit all existing cabinets where 1.5" or 2.5" valves are currently in use.

PRESSURE-MATIC® VALVE USES:

- Floor Control Valve
- Standpipe System
- Automatic Sprinkler Systems
- UL Listed as a check valve for use in dual riser systems

UR-20-1.5

- 1.5" female NPT inlet x 1.5" female NPT
- Rough Brass finish
- Chrome Finish optional

UR-20-2.5

- 2.5" female NPT inlet x 2.5" female NPT
- Rough Brass finish
- Chrome Finish optional

UR-25-1.5

- 1.5" female NPT inlet x 1.5" male NHT
- Rough Brass finish
- Chrome Finish optional

UR-25-2.5

- 2.5" female NPT inlet x 2.5" male NHT
- Rough Brass finish
- Chrome Finish optional

UR-20S-2.5

- 2.5" female NPT inlet x 2.5" female NPT
- Rough Brass finish
- Chrome Finish optional



UP PRESSURE RESTRICTING VALVES



Pressure restricting valves from Elkhart Brass all feature rugged cast brass construction in your choice of finishes. The pressure restricting valves feature rubber seats and are rated for use at 175 psi (12 BAR). Although factory setting is recommended, all the pressure restricting valves are field settable.

PRESSURE RESTRICTING VALVES:

- Reduce pressure under flowing conditions
- Allow fire departments to override settings in emergency conditions
- Select models are UL Listed and/or FM Approved

UP-20-1.5

- 1.5" female NPT inlet x 1.5" female NPT
- Rated for 175 psi (12 BAR)
- Rough Brass finish
- Chrome Finish optional

UP-20-2.5

- 2.5" female NPT inlet x 2.5" female NPT
- Rated for 175 psi (12 BAR)
- Rough Brass finish
- Chrome Finish optional

UP-25-1.5

- 1.5" female NPT inlet x 1.5" male NHT
- Rated for 175 psi (12 BAR)
- Rough Brass finish
- Chrome Finish optional

UP-25-2.5

- 2.5" female NPT inlet x 2.5" male NHT
- Rated for 175 psi (12 BAR)
- Rough Brass finish
- Chrome Finish optional

UP-30-1.5

- 1.5" female NPT inlet x 1.5" male NHT
- OR**
- 1.5" female NPT inlet x 1.5" female NPT
 - Specify 175 psi (12 BAR) or 300 psi (20.7 BAR)
 - Rough Brass finish

UP-35-2.5

- 2.5" female NPT inlet x 1.5" male NHT
- OR**
- 2.5" female NPT inlet x 1.5" female NPT
 - Specify 175 psi (12 BAR) or 300 psi (20.7 BAR)
 - Rough Brass finish



U ANGLE HOSE VALVES



The Elkhart Brass U angle valves are used in firefighting piping systems as Fire Department outlet connection or Fire Hose Rack assembly connection. They are available in 1.5" and 2.5" inlet/outlet sizes and offered in angle style with NPT and NHT threading options. The U valves are UL Listed and FM Approved.

FEATURES:

- Compact size enables ease of installation
- Support up to 300 psi (20.70 BAR) static and dynamic pressure
- Supports up to 500 gpm (1900 LPM) flow rate
- Brass and bronze construction enable use in corrosive and non-corrosive environments
- 1.5" or 2.5" FNPT inlet
- 1.5" or 2.5" FNPT and NHT outlet
- Select models are UL Listed and/or FM Approved

U-20-1.5

- 1.5" female NPT inlet x 1.5" female NPT
- Rated for 175 psi (12 BAR)
- Rough Brass finish
- Chrome Finish optional



U-20-2.5

- 2.5" female NPT inlet x 2.5" female NPT
- Rated for 175 psi (12 BAR)
- Rough Brass finish
- Chrome Finish optional



U-25-1.5

- 1.5" female NPT inlet x 1.5" male NHT
- Rated for 175 psi (12 BAR)
- Rough Brass finish
- Chrome Finish optional



U-25-2.5

- 2.5" female NPT inlet x 2.5" male NHT
- Rated for 175 psi (12 BAR)
- Rough Brass finish
- Chrome Finish optional



U-30-1.5

- 1.5" female NPT inlet x 1.5" male NHT

OR

- 1.5" female NPT inlet x 1.5" female NPT
- Rated for 300 psi (20.7 BAR)
- Rough Brass finish



U-30-2.5

- 2.5" female NPT inlet x 1.5" male NHT

OR

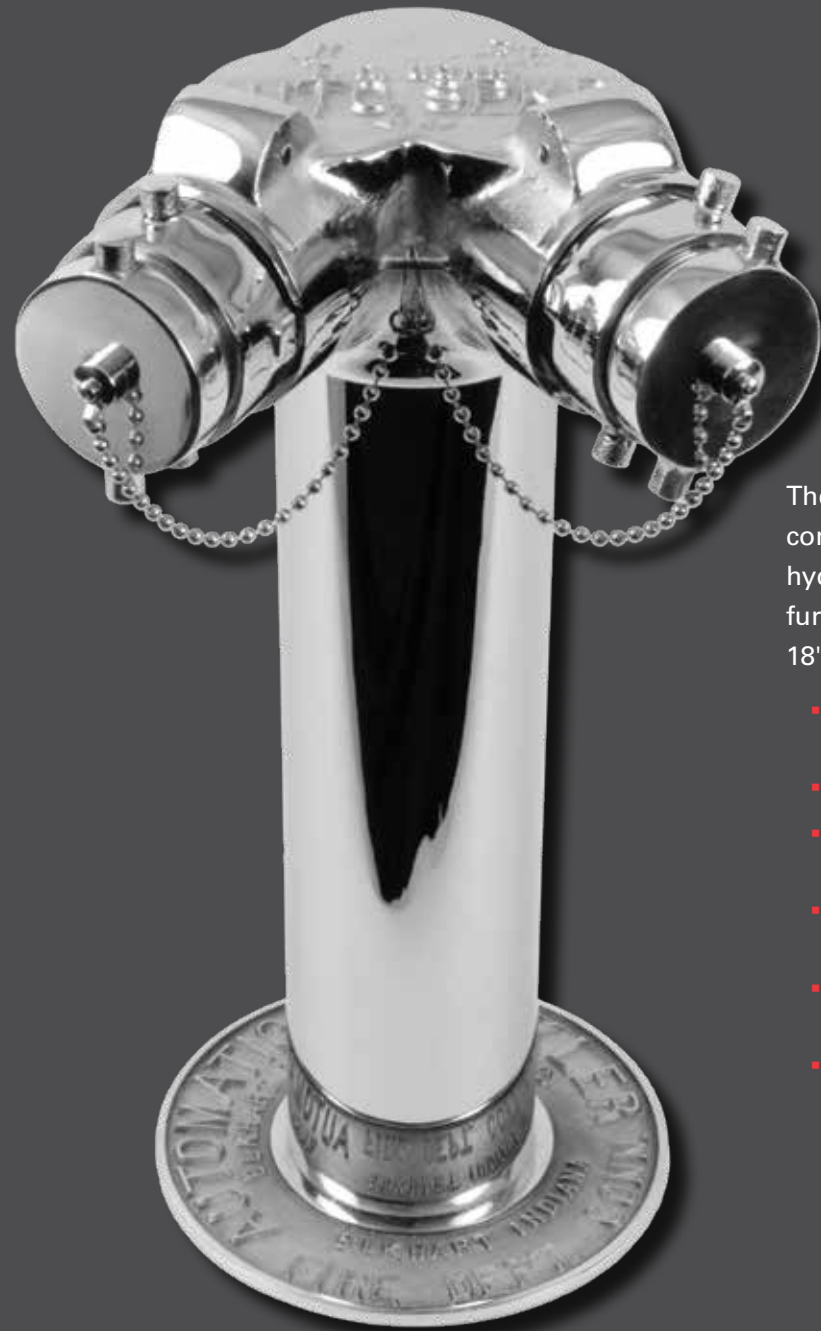
- 2.5" female NPT inlet x 1.5" female NPT
- Rated for 300 psi (20.7 BAR)
- Rough Brass finish



BUILDING CONNECTIONS

**FREE STANDING
EXPOSED
FLUSH
SUB-ASSEMBLIES
ROOF MANIFOLDS
ESCUTCHEON PLATES**

FREE STANDING BUILDING CONNECTIONS



The Elkhart Brass 90° free standing inlet connections as well as the 90° free standing hydrants and pump test connection come furnished with plugs, chains, escutcheons and an 18" sleeve for standpipe cover.

- Brass construction with outstanding corrosion resistance
- Polished brass and chrome finish options
- Free standing inlet with 4" NPT outlet size and 2.5" female NHT inlets
- Hydrants with 4" NPT inlet and 2" male NHT outlets
- Pump test with 4" NPT inlet size and 2.5" male NHT outlets
- Select models are UL Listed and FM Approved

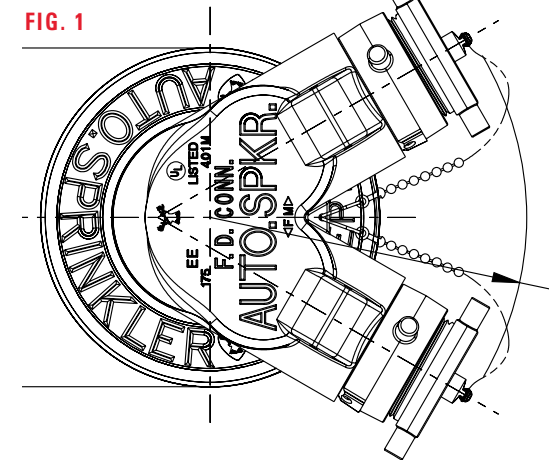


OTHER PRODUCTS

154-S – A cast brass valve control for actuating underground mounted valve, used with Elkhart's model #16 (a sidewalk type hydrant), is available. The 154-S comes with a 7/8" square steel extension rod that is 24" long and has a special coupling for attaching to stem of gate valve. Additionally, a cap, chain and sleeve are included. Please specify polished brass or polished chrome plated sleeve. Note: a 2.5" hole is required in the concrete slab, as well as a 1.5" nipple and locknut.

NPT OUTLET SIZE (INCHES)	NUMBER OF 2.5" F NHT INLETS			CLAPPER TYPE	CERTIFICATIONS	MEASUREMENTS (INCHES)						AVAILABLE ESCUTCHEONS			FINISH		Weight (lbs)	Model	Figure			
	2	3	4			A	B	C	D	E	F	Auto-Spkr	Standpipe	Standpipe and Auto-Spkr	Rough Brass	Polished Brass				Polished Chrome		
	•					Body (Drop)	Shoot	FM Approved	U.L. Listed						s	o				o		
4	•					•	•	9 1/4	8 5/16	1/2	18 1/4	23 1/16	23 1/16	•	•	•	s	o	o	30	15-2W 4"*	1

KEY s = standard o = option
*Can order parts (sleeve or body with clapper) separately.



ADDITIONAL INFORMATION

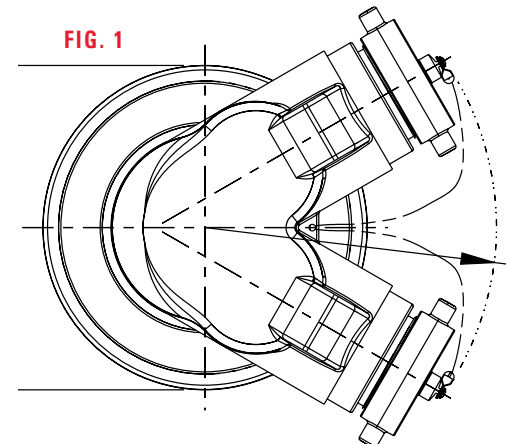
- Each 2.5" NHT inlet has a rated flow of 250 gpm (950 LPM)
- The sidewalk bodies are rated for 175 psi (12.1 BAR)
- Supplied with plugs and chains

THREADS

Unless otherwise noted, all hose threads are NHT

Type	NPT INLET SIZE (INCHES)	NUMBER OF 2.5" M NHT OUTLETS			CERTIFICATIONS	MEASUREMENTS (INCHES)						AVAILABLE ESCUTCHEONS		FINISH		Weight (lbs)	Model	Figure	
		2	3	4		A	B	C	D	E	F	Hydrant	Pump Test Conn.	Rough Brass	Polished Brass				Polished Chrome
		•				FM APPROVED								s	o				o
Hydrants	4	•			•	9 1/4	8 5/16	1/2	18 1/4	20 7/8	23 2/3	•		s	o	o	30	16-2W 4"*	1
Connect-	4	•				9 1/4	8 5/16	1/2	18 1/4	20 7/8	23 2/4		•	s	o	o	30	16-P 2W 4"	1

KEY s = standard o = option
*Can order parts (sleeve or body with clapper) separately.



ADDITIONAL INFORMATION

- Each outlet has a rated flow of 250 gpm (950 LPM)
- The sidewalk bodies are rated for 175 psi (12.1 BAR)
- Supplied with caps and chains

THREADS

Unless otherwise noted, all hose threads are NHT



EXPOSED BUILDING CONNECTIONS



The Elkhart Brass exposed fire department connections include standpipe and 90° post or wall mount options.

- Brass construction with outstanding corrosion resistance
- Rough brass, polished brass and chrome finish options
- Exposed inlet with 4" NPT and 6.0-inch NPT outlet size with two or three female 2.5" NHT inlet options
- Exposed outlet with 4" NPT inlet size and 2.5" male NHT outlets
- Select models are UL Listed and FM Approved



EXPOSED INLET

NPT OUTLET SIZE (INCHES)	NUMBER OF 2.5" F NHT INLETS		CLAPPER		MEASUREMENTS (INCHES)					AVAILABLE LETTERING			CERTIFICATIONS			FINISH			Weight (lbs)	Model	Figure
	2	3	Individual Drop	Swinging	A	B	C	D	Swing Radius	Auto-Spkr	Standpipe	Standpipe and Auto-Spkr	FM Approved	U.L. Listed	Cast Brass	Polished Brass	Polished Chrome				
4	•			•	5 15/16	9 1/8	5 1/16	4		s			•	•	s	o		9	11	1	
	•		•		7 9/16	11 5/16	5 1/4			s	o		•	•	s	o	o	16	12 4"	3	
	•		•		8 3/4	12 3/4	5 1/2	11 1/16		s	o	o	•	•	s	o	o	24 1/2	156 4"	6	
	•		•		9 3/16	11 3/4	5 1/4	5 7/16	7 3/8	s	o		•	•	s	o	o	20 1/2	10 4"	4	
6		•	•		8 7/8	13 15/16	7 1/4	4							s	o	o	25 1/2	18 6"*	2	
	•		•		10	11 1/2	7 1/2			s	o		•		s	o	o	25	12 6"	3	
	•		•		10 15/16	12 3/4	7 1/2	11 1/16		s	o	o	•		s	o	o	33 3/4	156 6"	6	
	•		•		11 9/16	11 3/16	7 1/2	5 9/16	8 5/16	s	o		•		s	o	o	23 1/4	10 6"	4	
		•	•		11 1/8	11 7/8	7 1/8		7 13/16						s	o	o	25	29	5	

KEY s = standard o = option
*Escutcheons sold separately.

ADDITIONAL INFORMATION

- Each 2.5" NHT inlet has a rated flow of 250 gpm (946 LPM)

ADDITIONAL INFORMATION

- Elkhart Brass' sidewalk bodies are rated for 175 psi (12.1 BAR)
- Supplied with plugs (#311) and chains

THREADS

Unless otherwise noted, all hose threads are NHT

EXPOSED OUTLET

FEMALE NPT INLET SIZE (INCHES)	MALE HOSE OUTLET SIZE	MEASUREMENTS (INCHES)					AVAILABLE ESCUTCHEON LETTERING	WALL HYDRANT	FM Approved	FINISH			Weight (lbs)	Model	Figure
		A	B	C	D	H				Cast Brass	Polished Brass	Polished Brass			
4	2 1/2	10 3/16	8 1/2	5 1/6	6 1/16	10 3/16	s		s	o	o	13	143	1	

KEY s = standard o = option

ADDITIONAL INFORMATION

- Bodies rated for 175 psi (12.1 BAR)
- Each 2.5" M NHT outlet has a rated flow of 250 gpm (950 LPM)
- Supplied with caps and chains

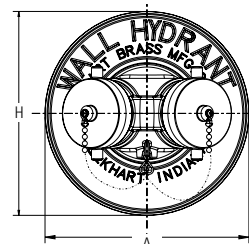
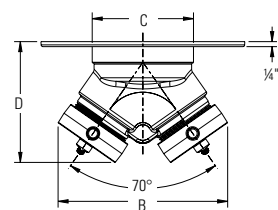
THREADS

Unless otherwise noted, all hose threads are NHT.

143

- Furnished with aluminum escutcheon painted red

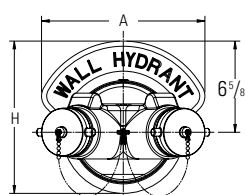
FIG. 1



153

- Furnished with flat escutcheon (10.5" x 7" high)

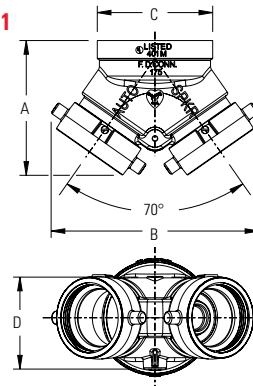
FIG. 2



11

- Single clapper

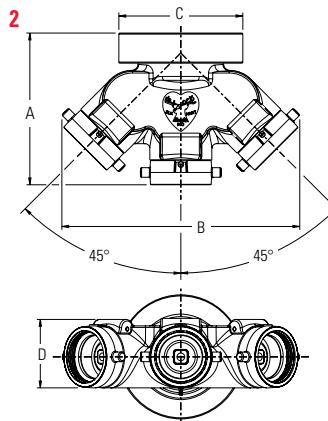
FIG. 1



18

- 3-way standpipe

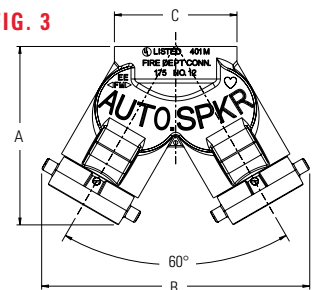
FIG. 2



12

- 2-way standpipe

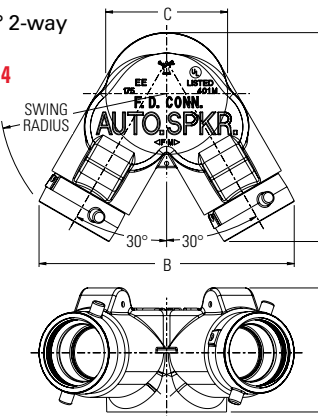
FIG. 3



10

- 90° 2-way

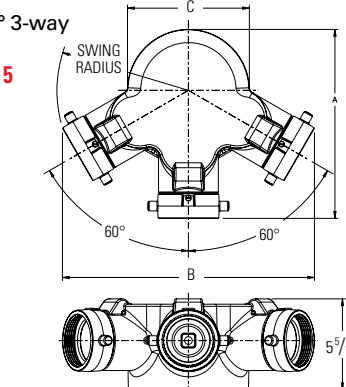
FIG. 4



29

- 90° 3-way

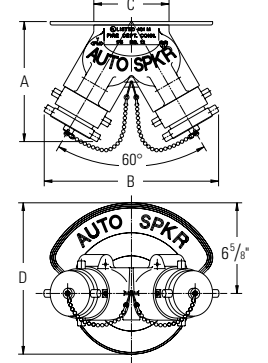
FIG. 5



156

- Furnished with escutcheon, plugs and chains

FIG. 6



FLUSH BUILDING CONNECTIONS



The Elkhart Brass flush and 4-way connections designs enable selection from a wide range of configurations for various applications.

- Brass construction with outstanding corrosion resistance
- Polished brass and chrome finish options
- Wall mount options furnished with chains, escutcheons, plugs (inlets only) and caps (outlets only)
- 4-way inlet connections feature snoots on each of the four 2.5" outlet and are furnished with plugs and chain assemblies
- 4-way outlet connections have caps and chain assemblies as well as hex adapter
- Select models are UL Listed and FM Approved



FLUSH INLET

FLUSH INLET

NPT OUTLET SIZE (Inches)	INLETS					BODY TYPE	MEASUREMENTS (INCHES)	CERT	AVAILABLE ESCUTCHEON LETTERING					MATERIAL/ FINISH			Weight (lbs)	Model	Figure									
	NHT (F)		STORZ		Individual Drop Clapper				A	B	C	D	E	F	G	H				J	FM Approved	U.L. Listed	Auto-Sprk	Standpipe	Standpipe and Auto-Sprk	Polished Brass	Polished Chrome	Lightweight Aluminum
	1.5"	2.5"	4"	5"																								
1 1/2	•								3 7/32					4 3/8			s				s		1 1/4	141	1			
2		•							4 3/8				7	10 1/2			s	o		s	o		8 3/8	151-2.5	1			
3		•							4 1/2				7 1/2	10 1/2			o	s		s	o		8 3/8	151-3	1			
		•							4 1/2				7	10 1/2			s	o		s	o		11 1/4	161-3	2			
4				•					6				12	12			s	o			s		6 3/8	171	1			
				•				5 29/32					12	12			s	o			s		10 7/8	171	1			
		•				•		11	7 1/2	5	6 7/16	3 25/32	3 7/32		13 3/16	•	•	s	o	o	s	o	23	166-4-ST	3			
		•				•		11 1/2	7 1/2	5	6 1/16	3 19/32	3 3/8	3 1/16	5 3/8	13 3/16	•		s	o	o	s	o	26 1/4	166-4-90	4		
6				•					6 1/4					12			s	o			s		7 3/4	171	1			
				•					6 1/4					12			s	o			s		10 1/4	171	1			
		•				•		11 1/2	7 1/2	7 1/2	8	3 3/4	3 5/8		13 3/16	•		s	o	o	s	o	30 3/4	166-6-ST	3			
		•				•		12	7 5/8	7 1/2	7 3/4	4	4 3/32	3 7/16	6 15/32	13 3/16	•		s	o	o	s	o	34 3/8	166-6-90	4		
			•			•		17 5/16	6 5/8	7 3/8	6 11/16	3 3/8	4 1/16		4 5/16				s		s	o	68	167-W-ST	8			
			•			•		17 1/4	6 5/8	7 1/8	8 3/16	4 15/32	4	3 15/16	5 15/16	20 1/4			s		s	o	68	167-W-90	6			
		•			•		17 1/4	6 5/8	7 1/8	8 3/16	4 15/32	4	3 15/16	5 15/16	20 1/4			s		s	o	68	167-W-INV	7				

KEY s = standard o = option

ADDITIONAL INFORMATION

- Bodies rated for 175 psi (12.1 BAR)
- Each 2.5" NHT inlet has a rated flow of 250 gpm (950 LPM)
- Supplied with plug(s) and chain(s)

THREADS

Unless otherwise noted, all hose threads are NHT

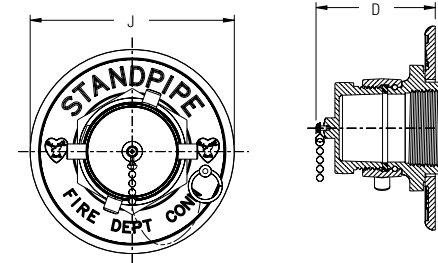
OTHER PRODUCTS

- See pages 27-28 for Flush 4-Way Inlet Connections
- 2.5" nipple required for all 166 and 167-W models Elkhardt Brass does not supply
- On the 166, the body is roughed in during construction – escutcheon and nipple assemblies are installed after construction

141/151/171

- Furnished with round escutcheon

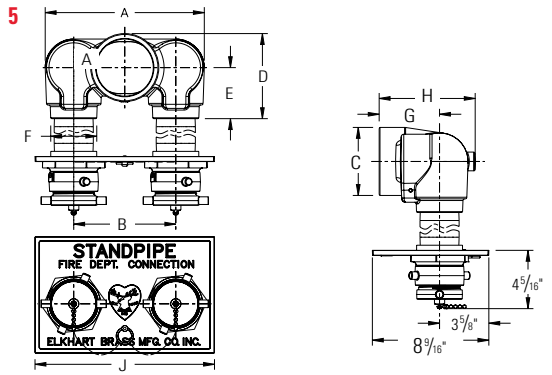
FIG. 1



166 90° INVERTED SIAMESE

- Furnished with flat escutcheon

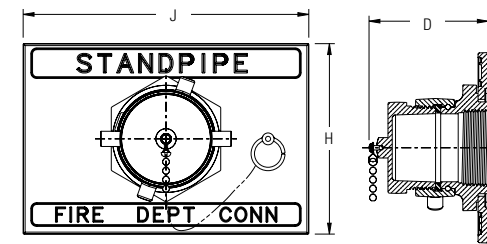
FIG. 5



161

- Furnished with flat escutcheon (10.5" x 7" high)

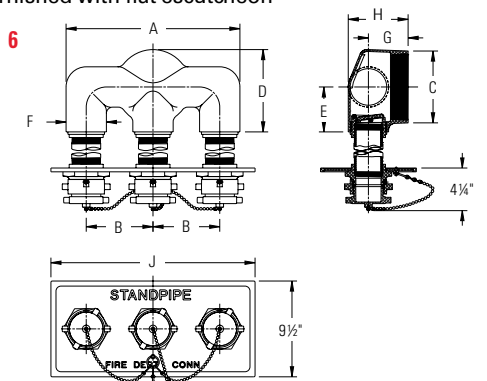
FIG. 2



167-W 90° SIAMESE

- Furnished with flat escutcheon

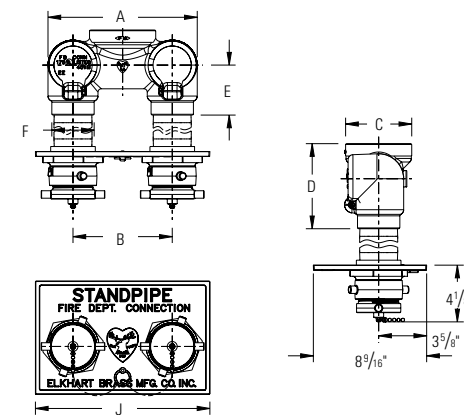
FIG. 6



166 STRAIGHT SIAMESE

- Furnished with flat escutcheon

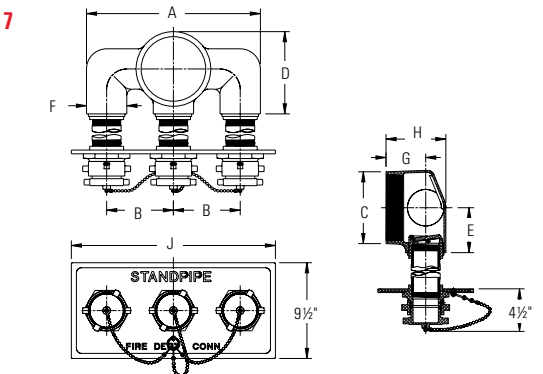
FIG. 3



167-W 90° INVERTED SIAMESE

- Furnished with flat escutcheon

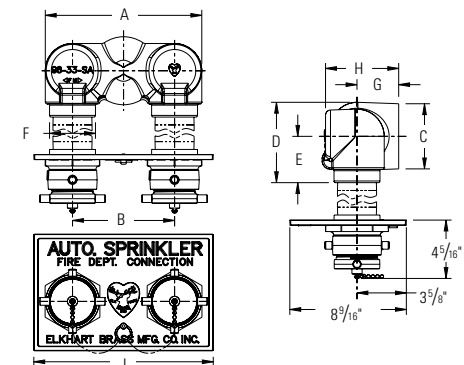
FIG. 7



166 90° SIAMESE

- Furnished with flat escutcheon

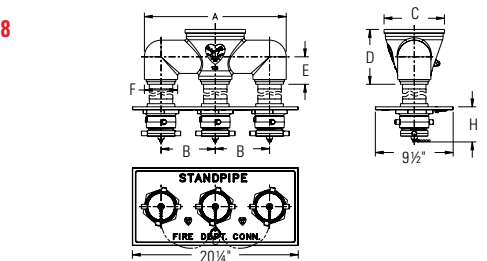
FIG. 4



167-W

- Furnished with flat escutcheon

FIG. 8



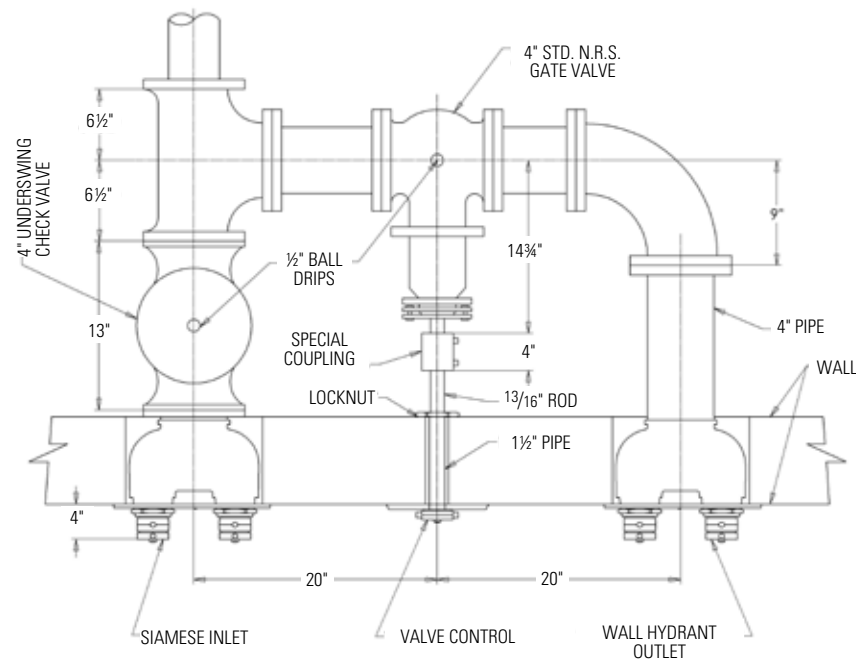
FLUSH 4-WAY INLET

FLUSH 4-WAY INLET

INSTALLATION DIRECTION		BODY TYPE	SNOUT TYPE	MEASUREMENTS (INCHES)		psi (BAR)	CERTIFICATION	AVAILABLE ESCUTCHEON LETTERING				FINISH		Weight (lbs)	Model	Figure	
Vertical	Horizontal	Square	Straight	90°	A	B	175 (12.1)	U.L. Listed	Auto-Sprk	Dry Standpipe	Standpipe	Standpipe and Auto-Sprk	Polished Brass				Polished Chrome
•				•	8	31 ³ / ₁₆	•	•	o	o	s	o	s	o	96	780	2
•			•	•	8	31 ³ / ₁₆	•	•	o	o	s	o	s	o	96	781	3
•			•	•	5 ⁵ / ₈	31 ³ / ₁₆	•	•	o	o	s	o	s	o	96	782	4
•	•	•	•	•	5 ⁵ / ₈	31 ³ / ₁₆	•	•	o	o	s	o	s	o	96	783	5
		•	•	•	3 ³ / ₄		•		o	o	s	o	s	o	107 ⁷ / ₈	739*	1

KEY s = standard o = option
*Can order body separately.

FLUSH TYPE INSTALLATION



ADDITIONAL INFORMATION

- Each 2.5" F NHT inlet has a rated flow of 250 gpm (950 LPM)
- 6" outlet connection
- Supplied with plugs and chains

THREADS

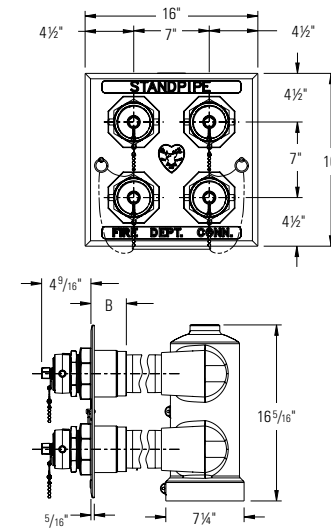
Unless otherwise noted, all hose threads are NHT

OTHER PRODUCTS

- See pages 25-26 for Flush Inlet Connections
- 3" NPT nipples required. Elkhart Brass does not supply

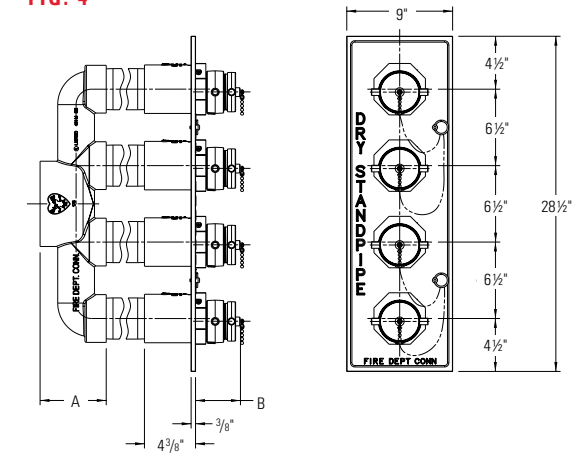
739

FIG. 1



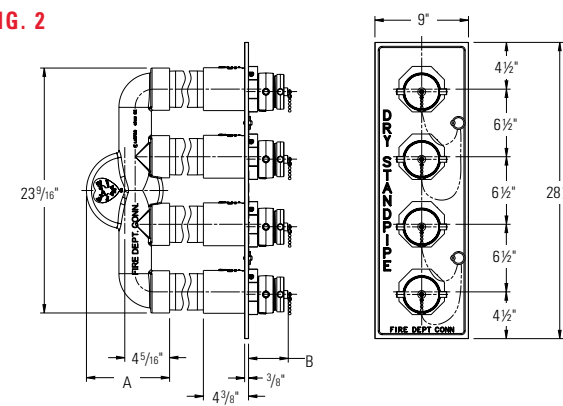
782

FIG. 4



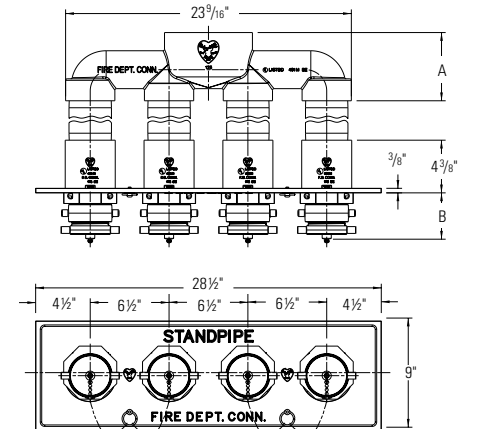
780

FIG. 2



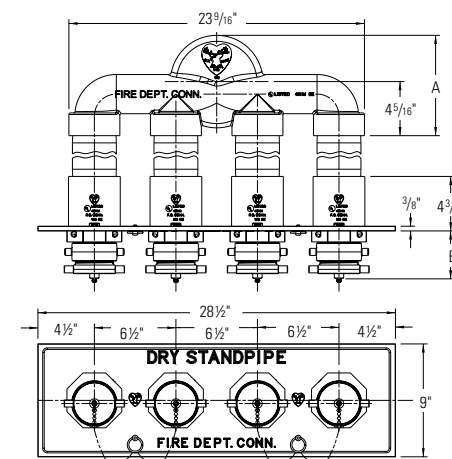
783

FIG. 5



781

FIG. 3



FLUSH OUTLET

FLUSH OUTLET

Type	NPT INLET SIZE (Inches)	OUTLETS			BODY TYPE	MEASUREMENTS (INCHES)											AVAILABLE ESCUTCHEON LETTERING		FINISH		Weight (lbs)	Model	Figure	FM Approved
		1	2	3		Straight 90°	A	B	C	D	E	F	G	H	J	Pump Test	Wall Hydrant	Polished Brass	Polished Chrome					
																				Number of 2.5" M NHT Outlets				
Hydrant	2 1/2	•				7 1/2			3 1/4							s	s	o	6 3/4	152 2.5"	1			
		•				10 1/2			3 1/4				7			s	s	o	9 3/8	162 2.5"	2			
	3	•				7 1/2			3 7/16							s	s	o	5 3/4	152 3"	1			
		•				10 1/2			3 7/16				7			s	s	o	8 3/4	162 3"	2			
Pump Test Connections	4	•	•		s	13 3/16	7 1/2				5	6 7/16	8 9/16	11 1/4		s	s	o	31	163 4" ST	3	•		
		•	•		o	13 3/16	7 1/2	3 3/8	3 1/16	6 13/16	5	6 5/16	5 3/8	11 1/2		s	s	o	28 3/4	163 4" 90	4	•		
	6	•	•		s	13 3/16	7 1/2				7 1/2	8	8 9/16	11 1/2		s	s	o	35 1/4	163 6" ST	3	•		
		•	•		s	12	7 5/8	4 3/32	3 7/16	4	7 1/2	7 3/4	6 15/32			s	s	o	32 3/4	163 6" 90	4	•		
Pump Test Connections	4	•	•		s	13 3/16	7 1/2				5	6 7/16	8 9/16	11 1/4	s	s	o	31	163P 4" ST	3	•			
		•	•		s	13 3/16	7 1/2	3 3/8	3 1/16	6 13/16	5	6 5/16	5 3/8	11 1/2	s	s	o	28 3/4	163P 4" 90	4	•			
	6	•	•		s	13 3/16	7 1/2				7 1/2	8	8 9/16	11 1/2	s	s	o	35 1/4	163P 6" ST	3	•			
		•	•		s	13 3/16	7 1/2	4 3/32	3 7/16	4	7 1/2	7 3/4	5 3/32	12	s	s	o	32 3/4	163P 6" 90	4	•			
	6	•	•		s	20 1/8	6 5/8				7 3/8	6 1/8	9 1/2	17 9/16	s	s	o	68	167-WP	5				
		•	•		s	20 1/4	6 5/8				7 1/8	8 3/16	9 1/2	17 1/4	s	s	o	70 1/2	167-WP 90	6				

KEY s = standard o = option

ADDITIONAL INFORMATION

- Bodies rated for 175 psi (12.1 BAR)
- Each 2.5" NHT outlet has a rated flow of 250 gpm (950 LPM)
- Supplied with cap(s) and chain(s)

THREADS

Unless otherwise noted, all hose threads are NHT

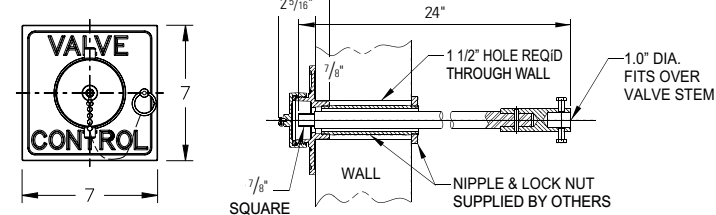
OTHER PRODUCTS

- See pages 31-32 for Flush 4-Way Outlet Connections
- 2.5" NPT nipple required for all 163, 163P and 167 WP models. Elkhart Brass does not supply this
- On the 163 and 163P, the body is roughed in during construction – escutcheon and nipple assemblies are installed after construction

OPTIONS

- 164 – A cast brass valve control for use with Elkhart Brass model 163 is available. The 164 comes with a 7/8" square steel extension rod that is 24" long and has a special coupling for attaching to stem of gate valve. Additionally, a cap, chain and 7" square escutcheon are included. Please specify polished brass or polished chrome plated. Note: a 2.5" hole is required in the installation wall
- 480 – Tee handle used with 164 control valve

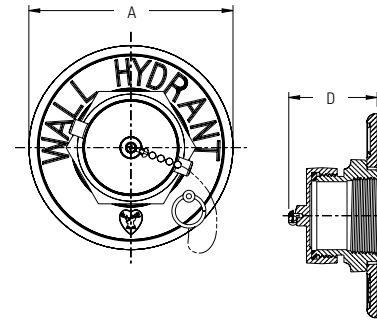
164



152

- Furnished with 7.5" round escutcheon

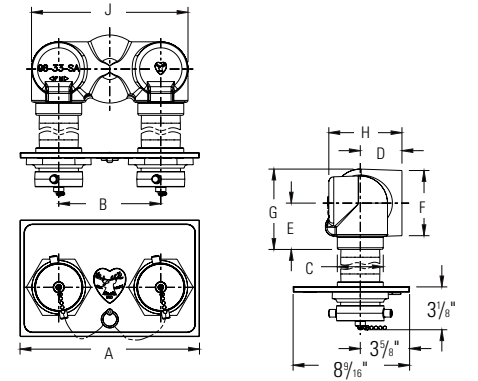
FIG. 1



163/163P 90

- Furnished with flat escutcheon

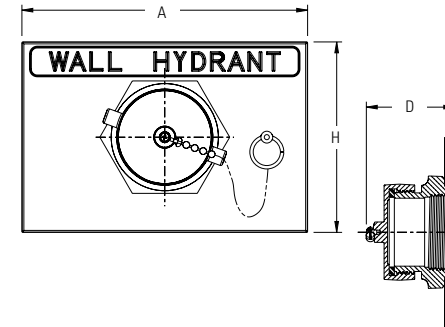
FIG. 4



162

- Furnished with flat escutcheon (10.5" x 7" high)

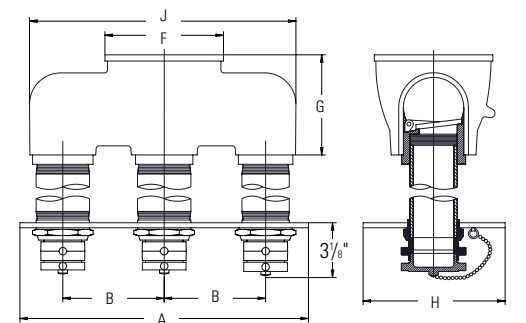
FIG. 2



167 WP STRAIGHT

- Furnished with flat escutcheon

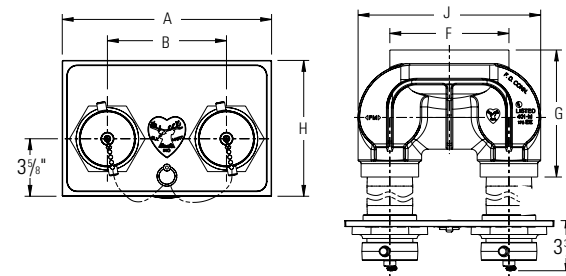
FIG. 5



163/163P STRAIGHT

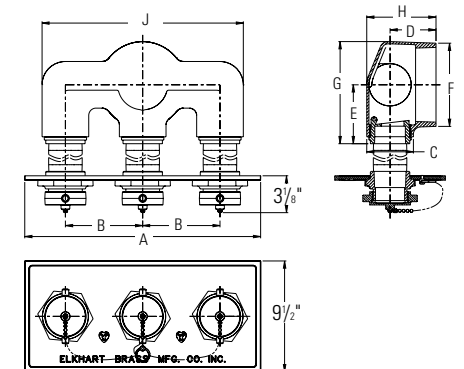
- Furnished with flat escutcheon

FIG. 3



167-WP 90

FIG. 6



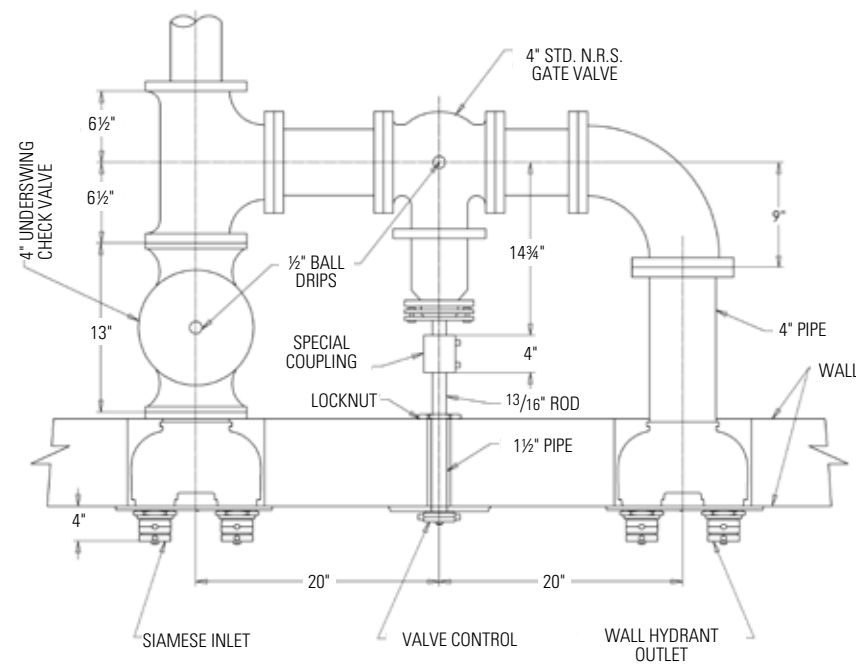
FLUSH 4-WAY OUTLET

FLUSH 4-WAY OUTLET

INSTALLATION DIRECTION			BODY TYPE		AVAILABLE ESCUTCHEON LETTERING		FINISH		Weight (lbs)	Model	Figure
Vertical	Horizontal	Square	Straight	90°	Hydrant	Pump Test Conn.	Polished Brass	Polished Chrome			
•			•		s		s	o	92	784	2
	•		•		s		s	o	92	785	3
	•			•	s		s	o	92	787	4
		•		•	s		s	o	109 1/4	743	1
•			•			s	s	o	92	784-P	2
	•		•			s	s	o	92	785-P	3

KEY s = standard o = option

FLUSH TYPE INSTALLATION



ADDITIONAL INFORMATION

- Each 2.5" M NHT outlet has a rated flow of 250 gpm (950 LPM)
- Inlet connection is a 6" NPT
- Supplied with caps and chains
- Bodies rated for 175 psi (12.1 BAR)

THREADS

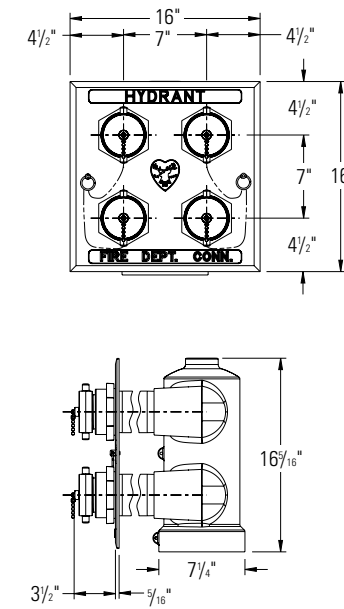
Unless otherwise noted, all hose threads are NHT

OTHER PRODUCTS

- See pages 25-26 for Flush Inlet Connections
- 3" NPT nipples required. Elkhart Brass does not supply

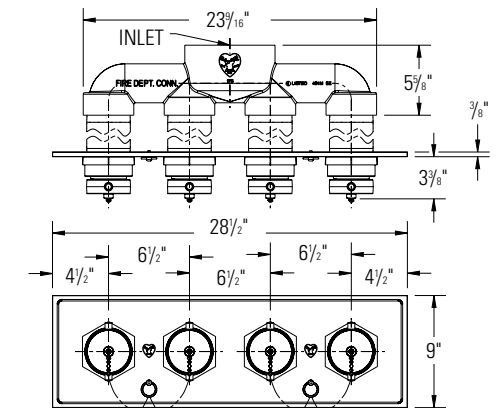
743

FIG. 1



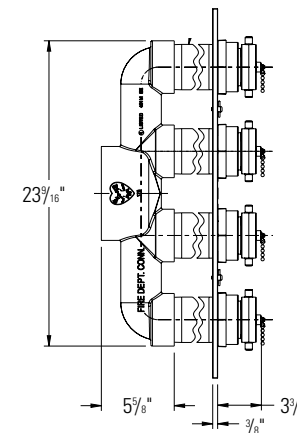
785/785-P

FIG. 3



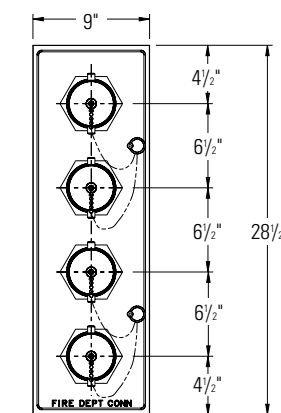
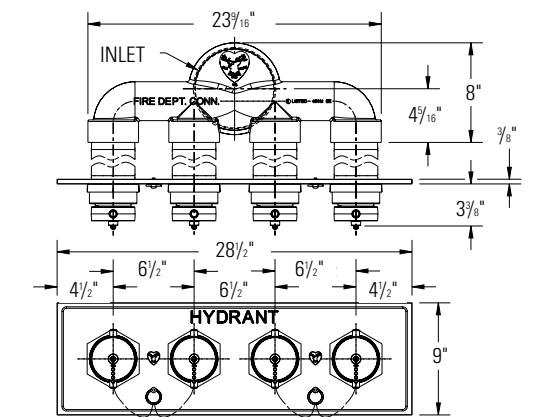
784/784-P

FIG. 2



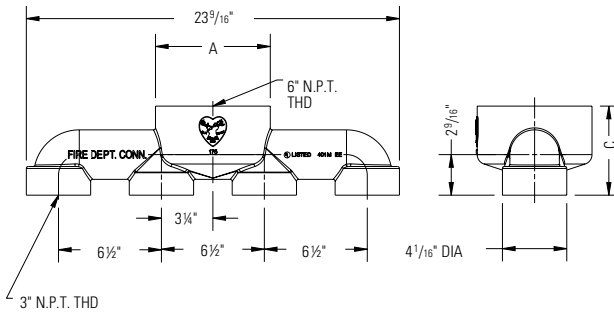
787

FIG. 4



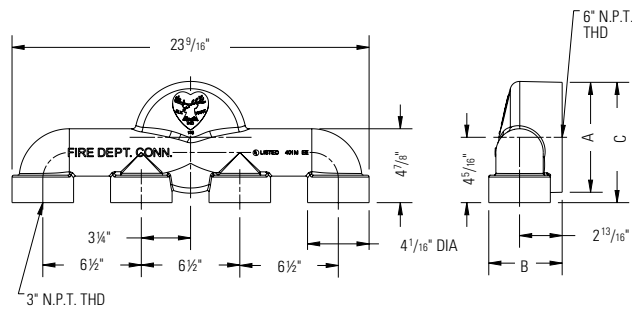
BODY SUB-ASSEMBLIES

4-WAY STRAIGHT MANIFOLD



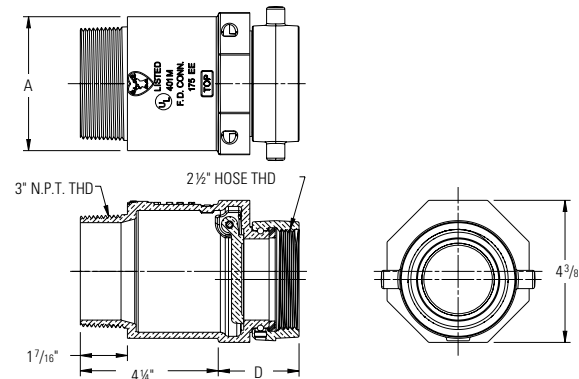
MODEL 710	
Size (Inches)	6" x (4) 3"
Escutcheon opening size (Inches)	4 1/4"
Dimension A (Inches)	7 1/4"
Dimension C (Inches)	5 5/8"
Material	Cast Brass
Elkhart products used in	782, 783, 784, 785
Additional uses	With Elkhart Brass 720 Clapper Snoot (without nipples) as an exposed inlet connection
Weight (lbs)	28 1/2
psi (BAR)	175 (12.1)
Certifications	UL Listed

4-WAY 90° MANIFOLD



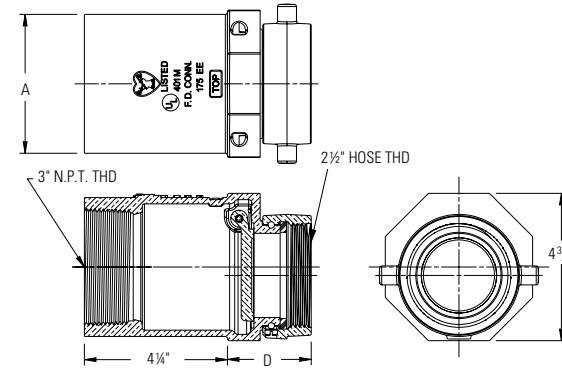
MODEL 711	
Size (Inches)	6" x (4) 3"
Escutcheon opening size (Inches)	4 1/4"
Dimension A (Inches)	7 1/4"
Dimension B (Inches)	4 13/16"
Dimension C (Inches)	7 15/16"
Material	Cast Brass
Elkhart products used in	780, 781, 786, 787
Additional uses	With Elkhart Brass 720 Clapper Snoot (without nipples) as either a side walk intake connection or an exposed dry standpipe inlet connection
psi (BAR)	175 (12.1)
Certifications	UL Listed

MALE CLAPPER SNOOT



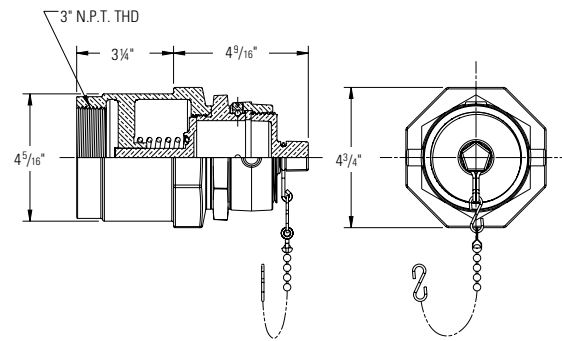
MODEL 720	
Openings (Inches)	3" M x 2.5" F
Dimension A (Inches)	4 1/4"
Dimension D (Inches)	2 1/2"
Material/Finish	Cast brass with polished brass exposed parts (optional chrome plated available)
Additional uses	Single fire department connection (plug and chain available separately)
Weight (lbs)	9 1/2
psi (BAR)	175 (12.1)
Certifications	UL Listed

FEMALE CLAPPER SNOOT



MODEL 721	
Size (Inches)	3" F x 2.5" F
Dimension A (Inches)	4 1/8"
Dimension D (Inches)	2 1/2"
Material/Finish	Cast brass with polished brass exposed parts (optional chrome plated available)
Elkhart products used in	780, 781, 782, 783
Additional uses	Single fire department connection (plug and chain available separately)
Weight (lbs)	9 1/2
psi (BAR)	175 (12.1)
Certifications	UL Listed

FEMALE SPRING CHECK SNOOT



MODEL 723	
Size (Inches)	3" F x 2 1/2" or 3" F x 3"
Material/Finish	Cast brass with polished brass exposed parts (optional chrome plating available)
Available with	Plug
Spring check action	Open @ 10 psi (0.69 BAR) Flows 250 gpm (946 LPM) @ 12 psi (0.83 BAR) Flows 500 gpm (1893 LPM) @ 24 psi (1.65 BAR)
Weight (lbs)	12 1/4 or 11 3/5

ADDITIONAL INFORMATION

- Components rated for 175 psi (12.1 BAR), unless otherwise specified

THREADS

- 710 and 711 are NPT on all connections
- 720, 721, and 723 feature NPT inlets, while the outlets are hose thread (NHT)

OTHER PRODUCTS

- Flush Inlet (utilizing the components) are available on page 25-26
- Escutcheons available on pages 37-38

ROOF MANIFOLDS & CONNECTIONS



Roof manifolds by Elkhart Brass provide water control when used in conjunction with hose or angle valves while roof connections can be used to disperse water to adjacent buildings.

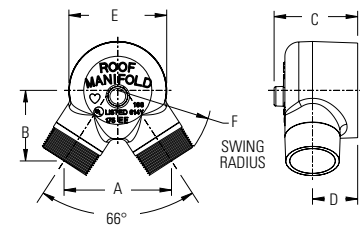
- Brass construction with outstanding corrosion resistance
- 2.5" outlet rated at 250 gpm (950 LPM) per outlet
- 4" or 6" inlet size
- Two or three number of outlets per manifold
- Select models are UL Listed



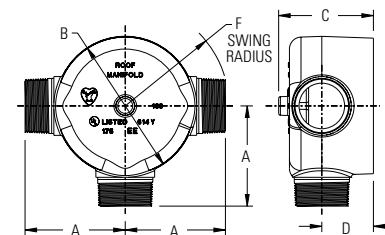
ROOF MANIFOLDS & CONNECTIONS

INLET SIZE (INCHES)	OUTLET				CERT. U.L. LISTED	MEASUREMENTS (INCHES)						Weight (lbs)	Model	Figure
	NUMBER		STYLE			A	B	C	D	E	F			
	2	3	MALE	FEMALE										
4	•	•	•	•	5 ⁵ / ₈	3 ¹¹ / ₁₆	4 ³ / ₈	2 ³ / ₈	5 ¹ / ₈	4 ¹⁵ / ₁₆	8	168	1	
	•	•	•	•	5	7 ¹ / ₂	11	6 ⁷ / ₁₆			26 ¹ / ₄	158	3	
	•	•	•	•	5	6 ⁵ / ₈	12 ³ / ₈	5 ⁷ / ₈			16 ¹ / ₄	159	4	
	•	•	•	•	5 ¹ / ₁₆	5 ⁷ / ₁₆	7 ⁷ / ₈	5 ⁵ / ₈			9 ³ / ₄	751	6	
	•	•	•	•	4 ¹ / ₅	5 ¹ / ₄	4 ¹³ / ₁₆	2 ¹ / ₂		4 ³ / ₈	10 ¹ / ₄	168	2	
	•	•	•	•	5	6 ⁵ / ₈	19	5 ⁷ / ₈			27 ¹ / ₄	159	4	
6	•	•	•	•	5 ⁵ / ₈	4 ¹¹ / ₁₆	4 ¹⁵ / ₁₆	2 ⁵ / ₈	7 ¹ / ₄	5 ¹¹ / ₁₆	14 ¹ / ₄	168	1	
	•	•	•	•	7 ¹ / ₂	7 ¹ / ₂	11 ¹ / ₂	8			26 ¹ / ₄	158	3	
	•	•	•	•	7 ¹ / ₄	6 ⁵ / ₈	12 ³ / ₈	7 ¹⁵ / ₁₆			31 ¹ / ₄	159	4	
	•	•	•	•	7 ¹ / ₂	9 ¹ / ₂	10 ¹¹ / ₁₆	8			20 ¹ / ₄	755	7	
	•	•	•	•	5 ¹ / ₄	7 ¹ / ₄	4 ¹⁵ / ₁₆	2 ¹¹ / ₁₆		5 ³ / ₈	15 ¹ / ₄	168	2	
	•	•	•	•	7 ³ / ₈	6 ⁵ / ₈	17 ¹ / ₄	6 ¹ / ₈			24 ³ / ₈	158	3	
	•	•	•	•	7 ¹ / ₄	6 ⁵ / ₈	19	7 ¹⁵ / ₁₆			42 ³ / ₄	159	4	
	•	•	•	•	7 ¹ / ₂	4 ³ / ₄	10 ¹¹ / ₁₆	10 ¹ / ₂			20 ³ / ₈	761	5	

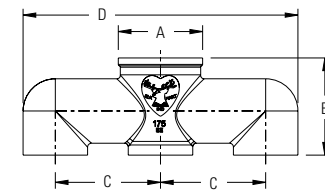
168
▪ 2-way
FIG. 1



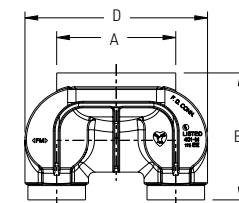
168
▪ 3-way
FIG. 2



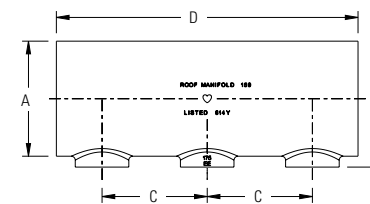
158
▪ 3-way
FIG. 3



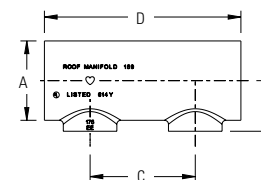
158
▪ 2-way



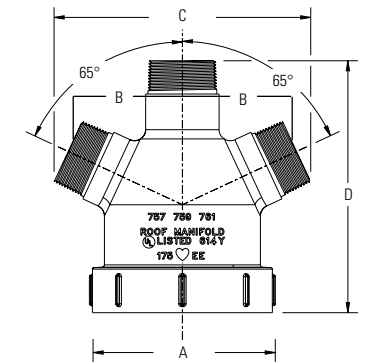
159
▪ 3-way
FIG. 4



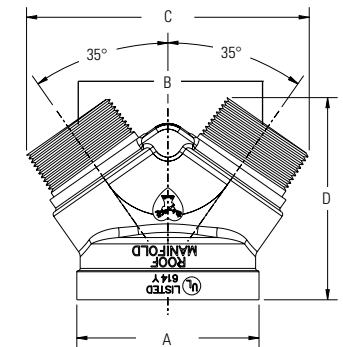
159
▪ 2-way



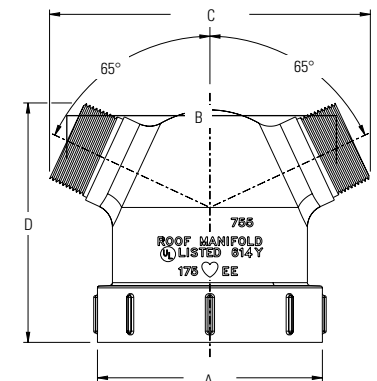
761
FIG. 5



751
FIG. 6



755
FIG. 7



ADDITIONAL INFORMATION

- When ordering, specify model number, inlet size and number of outlets
- Each outlet has a rated flow of 250 gpm (946 LPM)
- Roof manifolds can be used in alternate applications and/or to test fire pump systems

THREADS

All threads are NPT unless otherwise specified

ROUND ESCUTCHEON PLATE

Elkhart Brass escutcheon plate designs enable identification of various fire department connections in aesthetically pleasing finishes.

- Brass construction with outstanding corrosion resistance
- Rough brass, polished brass, satin brass or chrome plated finish for brass escutcheons and red urethane finish for aluminum escutcheons
- Round and rectangular escutcheon plate designs
- Available lettering include:
 - Automatic Sprinkler
 - Dry Standpipe
 - Hydrant
 - Pump Test Connection
 - Standpipe
 - Standpipe and Automatic Sprinkler
 - Wall Hydrant



RECTANGULAR ESCUTCHEON PLATE



ROUND ESCUTCHEON PLATE

MEASUREMENTS				AVAILABLE LETTERING OPTIONS							MATERIAL/FINISH				Weight (lbs)	Model
Pipe Size (Inches)	Inside Diameter	Outside Diameter	Thickness	Automatic Sprinkler	Dry Standpipe	Hydrant	Pump Test Conn.	Standpipe	Standpipe & Automatic Sprinkler	Wall Hydrants	Brass			Aluminum		
											Polished	Rough	Satin	Chrome-plated	Red Urethane	
1 1/2	1 15/16	3	15/32											s*	1/8	589-1.5
2 1/2	2 59/64	4 13/32	3/16											s*	15/16	589-2.5
4	4 9/16	10 3/16	1/4	•	•	•	•	•	•	•				s	1	590-4-A
	4 9/16	10 3/16	1/4	•	•	•	•	•	•	•	o		s	o	3 1/8	590-4-B
6	6 11/16	12	3/8	•	•	•	•	•	•	•				s	2 1/8	590-6-A
	6 11/16	12	3/8	•	•	•	•	•	•	•	o		s	o	6 3/8	590-6-B

KEY s = standard o = option
*Steel material

RECTANGULAR ESCUTCHEON PLATE

MEASUREMENTS (INCHES)		AVAILABLE LETTERING OPTIONS							MATERIAL				Weight (lbs)	Model
Length	Width	Auto-Sprinkler	Auto-Sprk/Stdp	Dry Standpipe	Pump Test	Sprinkler	Standpipe	Wall Hydrant	Cast Aluminum	Cast Brass	Polished Brass	Polished Chrome		
11 1/2	4 1/2						•		s				3/4	591-A
11 1/2	4 1/2						•			s			2 5/8	591-B
11 1/2	4 1/2					•			s				3/4	592-A
11 1/2	4 1/2					•				s			2 5/8	592-B

KEY s = standard o = option

STANDPIPE ESSENTIALS



CLEAR ID POCKET

REFLECTIVE TRIM

SEAT BELT WEBBING & BUCKLES

INTERIOR & EXTERIOR POCKETS



STANDPIPE BAG

HARD BOTTOM WITH GROMMETS FOR DRAINAGE

DETACHABLE CARRYING STRAP

THE ELKHART STANDPIPE BAG

- Custom designed specifically for standpipe operations
- Features several internal and external pockets ideal for door chocks, pipe wrenches, wire brushes, adapters, etc.
- Handles made of seat belt webbing with seat belt buckle fasteners
- Bag made of durable materials

THE KIT INCLUDES:

- (1) Standpipe Bag
- 17" L x 9" W x 9" H (432 mm L x 229 mm W x 229 mm H)
- (1) 228A Pressure Gauge
- (1) 105A Elbow
- (1) X-86A Gate Valve
- (2) T-464 Spanner Wrenches



DIGITAL



DIGITAL SET UP

ANALOG



ANALOG SET UP

228A-2.5" Inline Pressure Gauge

- 0-200 psi (0-14 BAR) fully guarded, shock resistant air-filled gauge
- Phosphorescent gauge face assists viewing in low light conditions
- Protective gauge face cover included
- Lightweight aluminum
- Free swivel inlet allow movement
- 2.5" female swivel inlet x 2.5" male outlet

**105A Drain Elbow**

- 45° design reduces hose kinks
- Built in drain works in any position
- Lightweight aluminum
- Free swivel inlet allows movement
- 2.5" female swivel inlet x 2.5" male outlet

**X86A Gate Valve**

- Puts valve control in the hands of fire attack teams
- Gate style valve function for easy adjustment for proper flow and pressure
- Rated to 300 psi (20 BAR)
- Lightweight aluminum
- 2.5" female swivel inlet x 2.5" male outlet

**555A Standpipe Flowmeter**

- Accurate digital readout of flow and pressure up to 250 gpm / 250 psi (950 LPM / 21 BAR)
- Rechargeable 9V battery powered
- 5 hours use per charge with low battery indication and standby mode
- Lightweight aluminum
- 2.5" female swivel inlet x 2.5" male outlet

**111A Increaser**

- 1.5" female inlet x 2.5" male outlet
- Ideal for extend operations
- Low profile knurling
- Durable lightweight aluminum





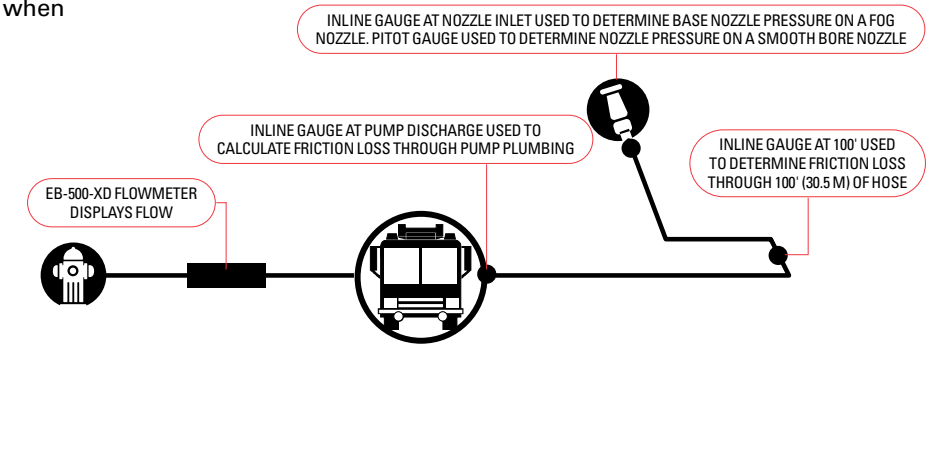
EB-500-XD PORTABLE FLOW METER

The EB-500-XD portable flow meter changes the game when it comes to accurate and effective flow testing. The flow tube, paddlewheel, digital readout, and battery are all self-contained making this unit extremely compact. The waterway features a unique internal waterway shape ensuring laminar flow for consistently accurate readings up to 500 gpm (1900 LPM). The flow pickup is a paddlewheel design which is located further into the middle of the waterway increasing reliability of the flow readings. The field programmable unit contains an internal rechargeable battery with visible status lights letting you know when the unit is low on power and when it is fully charged. The unit also features a totalizer function letting you know the total amount of water flowed. With the attached carrying handle and weighing only 8.4 lbs (3.8 kg), the EB-500-XD truly maximizes portability.

EB-500-XD PORTABLE FLOW METER

KEY FEATURES:

- Single self-contained unit as opposed to multi-component designs
- Unique internal waterway shape ensures laminar flow and accurate readings up to 500 gpm (1900 LPM)
- Large numerical digital readout
- Flow is read through a paddlewheel located deeper into the middle of the waterway for reliable readings
- Contains internal rechargeable battery with status lights with battery life up to 8 hours
- Totalizer function letting you know the total amount of water flowed
- Simple field calibration procedure when required
- NEMA 4 Waterproof Rating
- Hard case for storage



NFPA 1962 FLOW TEST KIT

The Elkhart Brass Flow Test Kit includes all essential components needed to accurately determine fire flows, friction losses, and pump discharge pressures. It is necessary equipment for conducting your NFPA 1962 flow test of nozzles, hose and appliances, as well as comprehensive hose and nozzle training.

KIT INCLUDES:

- One EB-500-XD Portable Flowmeter
- One Digital Handheld Pitot Gauge
- Three Model 228A 1.5" Line Gauges
- Three Model 228A 2.5" Line Gauges
- One Carrying Case



FLOW TESTING ESSENTIALS

Digital Handheld Pitot Gauge

- Ideal for determining nozzle pressure for smooth bore tips
- Accurately read pressure from 0-300 psi (0-20 BAR) down to the tenth psi
- Gauge features a backlit display and protective rubber boot
- Durable pitot blade
- Includes carrying case



228A-1.5" Inline Pressure Gauge

- 0-200 psi (0-14 BAR) fully guarded, shock resistant air-filled gauge
- Phosphorescent gauge face assists viewing in low light conditions
- Protective gauge face cover included
- Lightweight cast aluminum
- Free swivel inlet allow movement
- 1.5" female swivel inlet x 1.5" male outlet



228A-2.5" Inline Pressure Gauge

- 0-200 psi (0-14 BAR) fully guarded, shock resistant air-filled gauge
- Phosphorescent gauge face assists viewing in low light conditions
- Protective gauge face cover included
- Lightweight cast aluminum
- Free swivel inlet allow movement
- 2.5" female swivel inlet x 2.5" male outlet



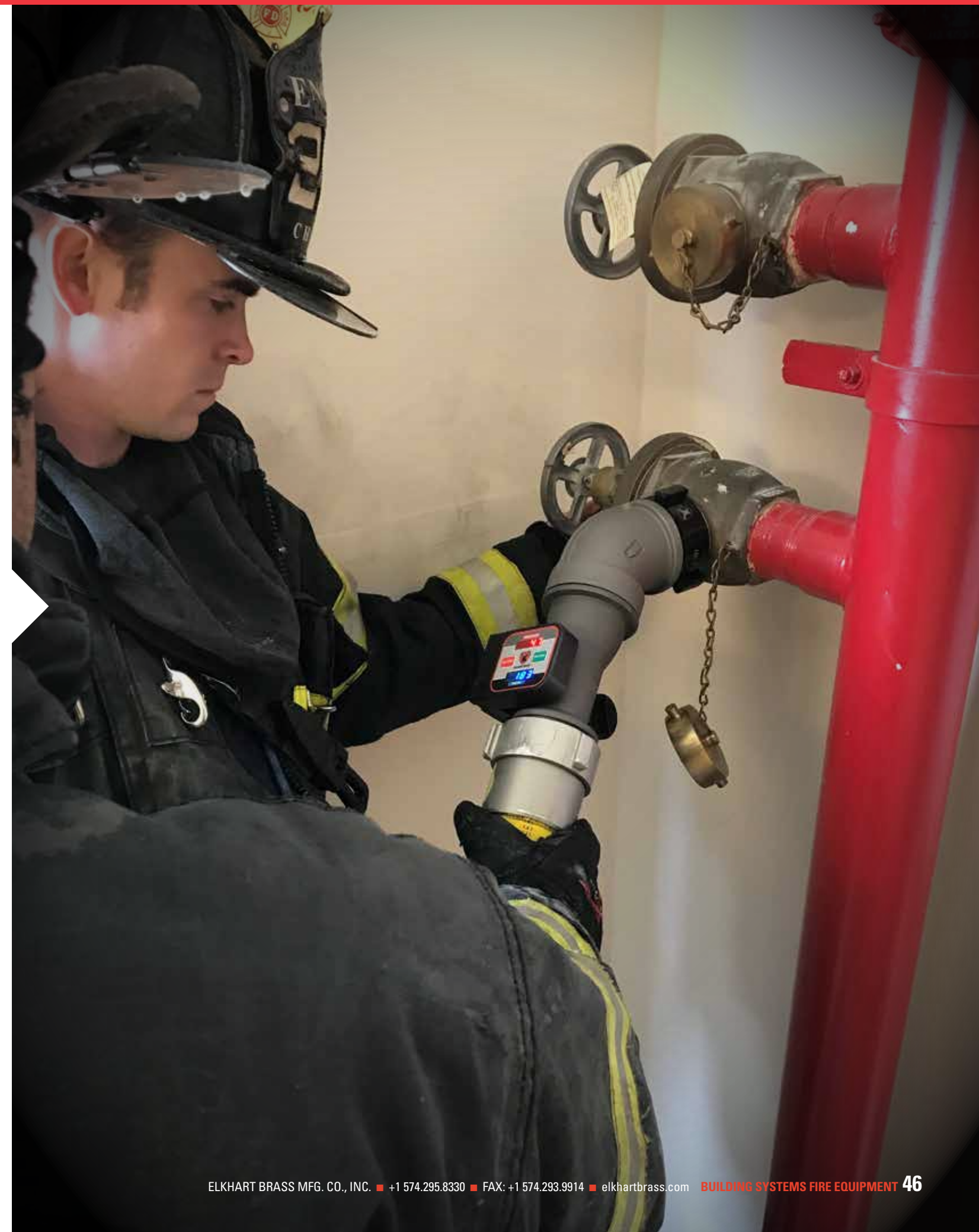
227A-1.5" Piezometer Gauge

- 0-300 psi (0-20 BAR) liquid-filled gauge
- Multiple internal ports balance pressure reading
- Lightweight hard coated aluminum
- 1.5" female swivel inlet x 1.5" male outlet



227A-2.5" Piezometer Gauge

- 0-300 psi (0-20 BAR) liquid-filled gauge
- Multiple internal ports balance pressure reading
- Lightweight hard coated aluminum
- 2.5" female swivel inlet x 2.5" male outlet



MORE INFORMATION



FIELD KITS

Elkhart Brass offers field service kits for nozzles, valves and appliances. These kits include information on repairs, parts and service. Learn more at elkhartbrass.com or contact a representative today.

TECHNICAL DATA

Available on our website in Technical Data section or by contacting Elkhart Brass direct, find multimedia and other valuable resources for reach, friction loss, flow and performance data, and much more.

MANUALS

Elkhart Brass and its products are supported through comprehensive manuals for most categories. Find downloads at elkhartbrass.com with all of the product information you should need.

SPECIFICATIONS

Downloadable, printable specifications sheets are available for most products at the Elkhart Brass website. You will find tips, sizes, materials used, certain operational instructions, and more.

URFA ADVANTAGES

Field Adjustable Pressure Reducing (URFA) is a true pressure reducing valve. A URFA valve calculator can be downloaded at this website address: <http://www.elkhartbrass.com/products/industrial-valves/field-adjustable-pressure-reducing/tech>.

HOW TO ORDER

Sales Managers are listed by your location on our website. This includes The United States, Canada, Mexico, Europe, Africa, Asia, and more. They will assist with information or ordering and will also provide demos of products by request and availability.

OTHER MARKETS WE SERVE

Elkhart Brass has for decades, even over a century with some, served the firefighting equipment and fire protection markets. These include OEM vehicle builders, municipalities throughout the world, industrial customers like mining and construction segments, and building interior safety systems.



MUNICIPAL



FIRE APPARATUS EQUIPMENT



INDUSTRIAL



MINING & CONSTRUCTION

ABOUT SAFE FLEET

In 2015, Elkhart Brass was acquired by Safe Fleet. The corporation's portfolio of brands serves major markets including Emergency, Military, Industrial, Work Truck, Waste, Truck/Trailer, and Bus/Rail/RV. The combination of Elkhart Brass with FRC, FoamPro and ROM enables the company to develop integrated systems of monitors, valves, foam proportioning and electronic controls for the global emergency market. Headquartered in Belton, MO, Safe Fleet employs over 1000 employees. The Safe Fleet family of brands operates over 500,000 square feet of manufacturing space and targets markets with increasing demand for operator, passenger and pedestrian safety. For more information about Safe Fleet you can visit www.safefleet.net.



Driving Safety Forward™





TAKE ACTION

elkhartbrass.com

Since 1902 Elkhart Brass has been an innovator in the fire protection and firefighting equipment industries. Today, with well over 2,000 products, the company has become a leader in the various markets served. Find out more by visiting the elkhartbrass.com website, social media channels, Knowledge Drop and other training, educational and product videos; and see more details. There are many resources available to help you find and enjoy the right product solution at Elkhart Brass.

ELKHART BRASS
A Safe Fleet Brand

1302 W Beardsley Ave
Elkhart, IN 46514
+1 (574) 295-8330

Follow us on all of these social media channels for the latest information about Elkhart Brass products.



For official Elkhart Brass merchandise visit our store at www.elkhartbrass.shop

