

URFA

Field Adjustable Pressure Reducing Valve

Elkhart's patented URFA valve is a true pressure reducing valve operated automatically by inner hydraulic controls. While the valves are pre-set at the factory, they are field adjustable, allowing the user to manually adjust the pressure. The URFA features manual valve open and close, as well as pressure adjustment — all of which require extremely low torque to change.

Inlet pressure up to 400 PSI (27.6 BAR) is controlled under all-flow and no-flow conditions. Valve size and weight permit installation in significantly tighter areas and smaller hose cabinets (those used for 1½" or 2½" valves) — allowing savings of both space and money. The URFA also functions as a floor control valve in automatic sprinkler systems as well as a standpipe valve or hose valve for Class I and Class III systems.

Features:

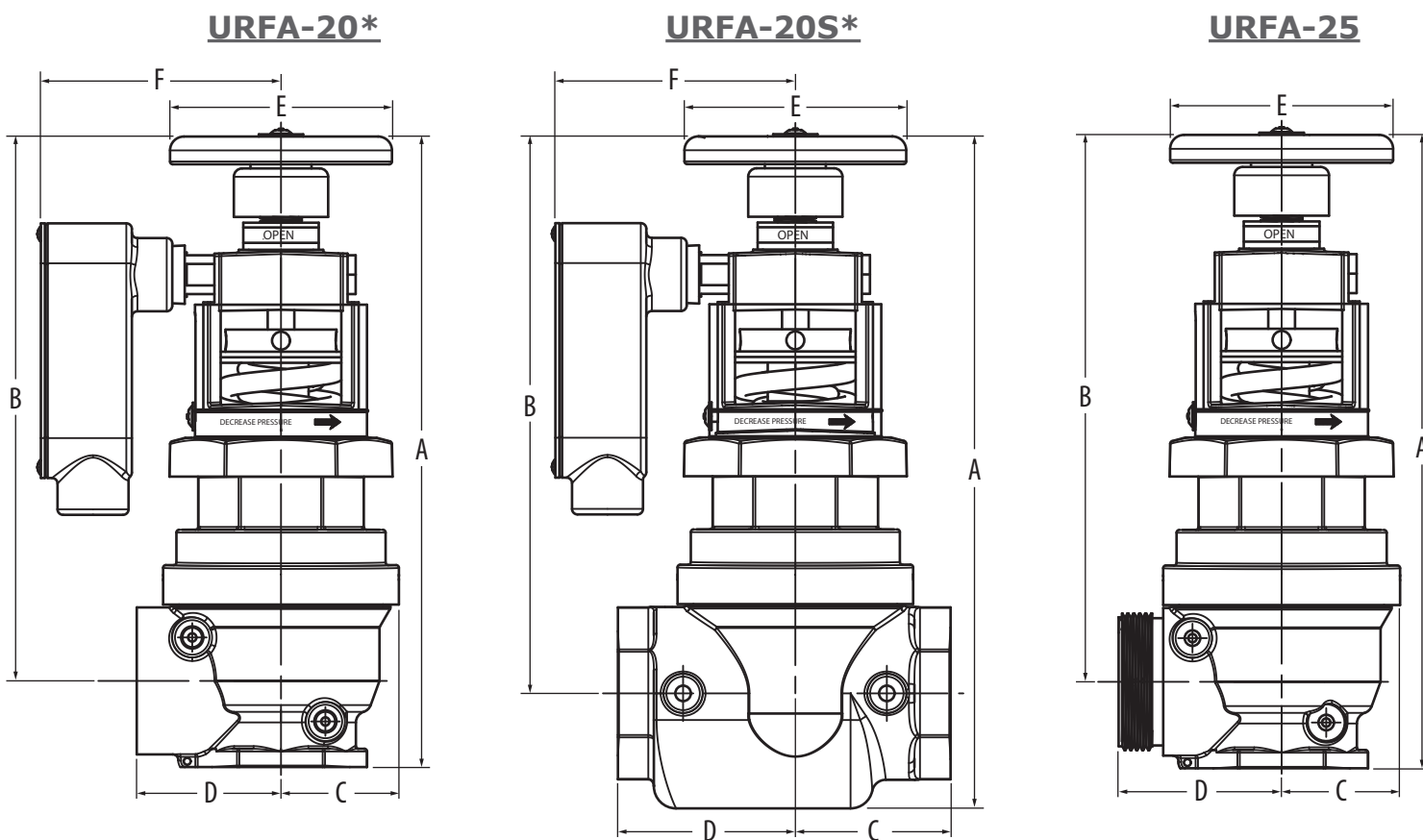
- Reduces pressure under flow and no flow conditions
- Static pressure rated up to 400 PSI (27.6 BAR)
- Flow rated up to 500 GPM (1893 LPM)
- Low torque manual open/close requires less than 15 ft./lbs.
- 4 pressure gauge taps on both inlet and outlet sides
- Compact valve design enables small constraint installation
- 180° view of open/close indication
- Color coded pressure adjustment indicator
- Optional supervisory switch for "OPEN TO SIGNAL" or "CLOSE TO SIGNAL"
- UL Listed, complies with NFPA 13 and NFPA 14



URFA

Field Adjustable Pressure Reducing Valve

SPECIFICATIONS			
Model	URFA-20	URFA-20S	URFA-25
Max Rated Flow	500 GPM (1893 LPM)	500 GPM (1893 LPM)	500 GPM (1893 LPM)
Max Rated Pressure	400 PSI (27.6 BAR)	400 PSI (27.6 BAR)	400 PSI (27.6 BAR)
Inlet	2.5" Female NPT	2.5" Female NPT	2.5" Female NPT
Outlet	2.5" Female NPT	2.5" Female NPT	2.5" Male NPT
Open/Close Torque	< 15 ft./lbs.	< 15 ft./lbs.	< 15 ft./lbs.
Material	Rough Brass	Rough Brass	Rough Brass
Weight	28 lbs.	32 lbs.	27 lbs.



DIMENSIONS (Inches)										
Model	Inlet	Outlet	Closed		Open		C	D	E	F
			A	B	A	B				
URFA-20	2.5" F NPT	2.5" F NPT	13 11/16	11 11/16	14 5/16	12 5/16	2 9/16	3 1/4	5	5 1/2
URFA-20S	2.5" F NPT	2.5" F NPT	14 9/16	12 9/16	15 3/16	13 3/16	3 1/2	4	5	5 1/2
URFA-25	2.5" F NPT	2.5" M NPT	13 11/16	11 11/16	14 5/16	12 5/16	2 9/16	3 5/8	5	-

*Shown with optional supervisory switch