

Ordering Guide

Select a monitor

_____ 7100X2SD Sidewinder Standard Duty 750 GPM (3000 LPM)

_____ 7100X2HD Sidewinder Heavy Duty 750 GPM (3000 LPM)

Select inlet option

_____ 2.5" 150# Flange

_____ 2.5" NPT F

_____ 2.5" BSPP F

_____ 2.5" BSPT F

Select outlet option

_____ 2.5" NHT M

_____ 2.5" BSPP M



Recommended stream shaper

(reduces turbulence in the water and improves overall stream quality and reach)

_____ 282A-Mini — 2.5" (64 mm) length

Nozzle options

_____ 6000-200E (D) – Selectable GPM - 15/30/45/60/95/125/150/200/Flush
Selectable LPM – 60/120/170/250/360/500/550/750/Flush

_____ 6000-700E (D) – Selectable GPM – 250/350/500/700
Selectable LPM – 1000/1350/2000/2700/Flush

_____ 181-A Smoothbore tip 2.5" NHT x 11/8" discharge (recommend adding stream shaper)

Select input controllers

_____ 7010X2 Panel Mount Controller

_____ 7015X2 Wireless Handheld Package (must select FCC or CE version below)

_____ FCC application (915 MHz) _____ CE application (868 MHz)

_____ 7030X2 Proportional Joystick

Accessory options

_____ 7150 Quick Connect (allows for quick removal of bumper monitor for tilt cab situations)

_____ 7051X2 Position Display (provides horizontal and vertical monitor position via LED display)

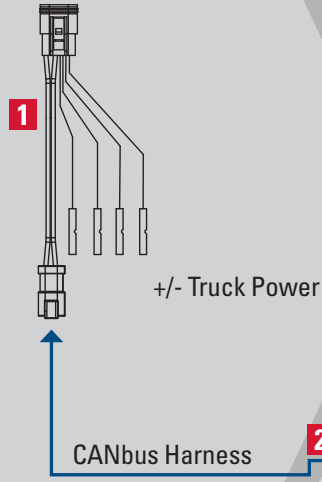
Recommended Water Valve – EB20 or EB25 Unibody Valve

Refer to the Unibody Configurator at www.elkhartbrass.com/downloads/tools to select the appropriate valve and endcap package. The EB series of valves matched with the E14X/E16X Electric Actuator all have the capability of being controlled from any of the EXM2 input controllers listed above.

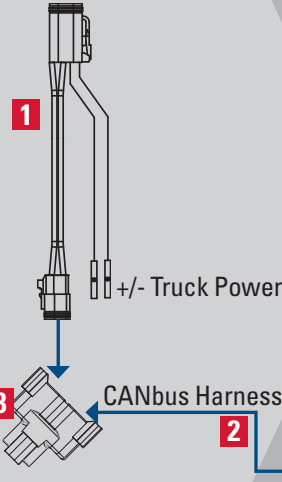


CANbus Harness Selector Guide

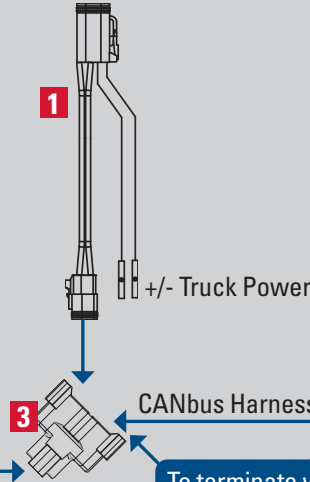
EXM2 MONITOR



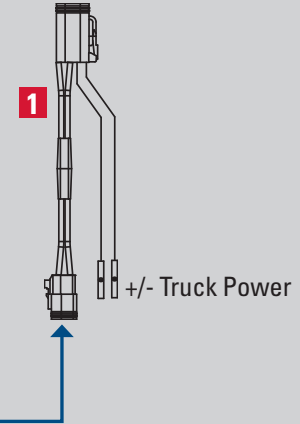
EXM2 COMPONENT



EXM2 COMPONENT



UNIBODY VALVE



To terminate without a Unibody valve, insert the CAN Termination Plug here. This represents the end of the CANbus network.

Each EXM2 monitor and component comes with a harness/pigtail (1) with wire leads for +/- truck power and wire leads for CANbus. The EXM2 monitor harness is equipped with two sets of truck power leads.

EXM2 components include Panelmount Controller, Joystick, Wireless Handheld Gateway Module and Position Display.

To construct the system, select a CANbus harness (2) by determining the distance between each component (select quantity and length below). Add a CAN Splitter (3) for each location where the CANbus will continue to the next component. The example above will require three (3) CANbus harnesses and two (2) CAN Splitters.

The monitor should be at one end of the CANbus network and if using a Unibody Valve with the system, the valve should be installed at the other end of the CANbus network as shown. For systems where the valve is NOT at the end of the network, refer to the APEX VALVE CONTROLLER Installation Manual at www.elkhartbrass.com/products/apparatus-valves/APEX/manuals.

The CANbus system requires termination at each ends of the network. Each EXM2 monitor and Unibody valve includes integrated termination. If the network is constructed as shown with monitor and valve on each end, no further termination is required. If a Unibody Valve is not part of the system, the last component opposite the monitor must be terminated using a CAN Splitter and CAN Termination Plug (select below).

_____ 37543002 - 2' CAN extension harness

_____ 37543010 - 10' CAN extension harness

_____ 37543015 - 15' CAN extension harness

_____ 37543020 - 20' CAN extension harness

_____ 37543030 - 30' CAN extension harness

_____ 37543040 - 40' CAN extension harness

_____ 24196000 - CAN Splitter

_____ 24197000 - CAN Termination Plug

1-574-295-8330

www.elkhartbrass.com





Components

Panel Mount Controller 7010X2

Designed to be mounted on a panel, the controller is hardwired directly to the monitor via CANbus. Compatible with 12 or 24VDC systems and rated to IP67.

Panel Mount Controller



Wireless Handheld Controller/Gateway 7015X2

The IP67 rated wireless remote control includes everything needed to operate a monitor, nozzle and optional Unibody valve from a safe location. The docking station with built-in induction charging system eliminates the need for replaceable batteries. The wireless controller comes pre-configured to communicate via RF to the Gateway Module. The module, with an external antenna, can then be mounted in a location convenient to the apparatus builder. The Gateway connects via CANbus harnesses directly to the monitor.

Wireless Handheld Controller & Gateway



Joystick Controller 7030X2

The joystick controller is designed to be surface mounted in the vehicle cab, providing convenient and intuitive control of the monitor. Containing all of the EXM2 monitor controls, the joystick utilizes proportional speed control for precise positioning of the water stream. Operate a Unibody Valve using the joystick trigger or the OPEN/ CLOSE buttons on the mounting plate. Integrating CANbus within the joystick design eliminates the need for an external module, simplifying installation and programming.

Joystick Controller



Position Display 7051X2

The Position Display provides instant feedback to the operator on the monitor's current position utilizing the signal from the monitor's integrated position sensors.

Position Display

