

DATA SHEET

Cobra™ EXM2 Monitor

Model 7200X2

Efficient, high-flow, electric remote controlled water monitor (water cannon) for fire apparatus, industrial pumper, and aerial vehicles.

Utilizing the new EXM2 operating platform, the 7200X2 Series features built-in Wi-Fi for simple programming and setup. The EXM2 controls, both wired and wireless, provide improved performance and operator control. The EXM2 platform continues to incorporate heavy duty swivel joints and thrust rods for unprecedented durability.

Several base options are available for use with the Cobra EXM2 including a 3" flange, DN80-PN16 flange, 4" flange, 3" female NPT, and 3" female BSPT. The discharge may be ordered with either a 2.5" NHT or BSPP thread. The Cobra EXM2 comes standard with permanent magnet DC gear motors but may be upgraded to high power motors. Both motor options are sealed to NEMA 4.

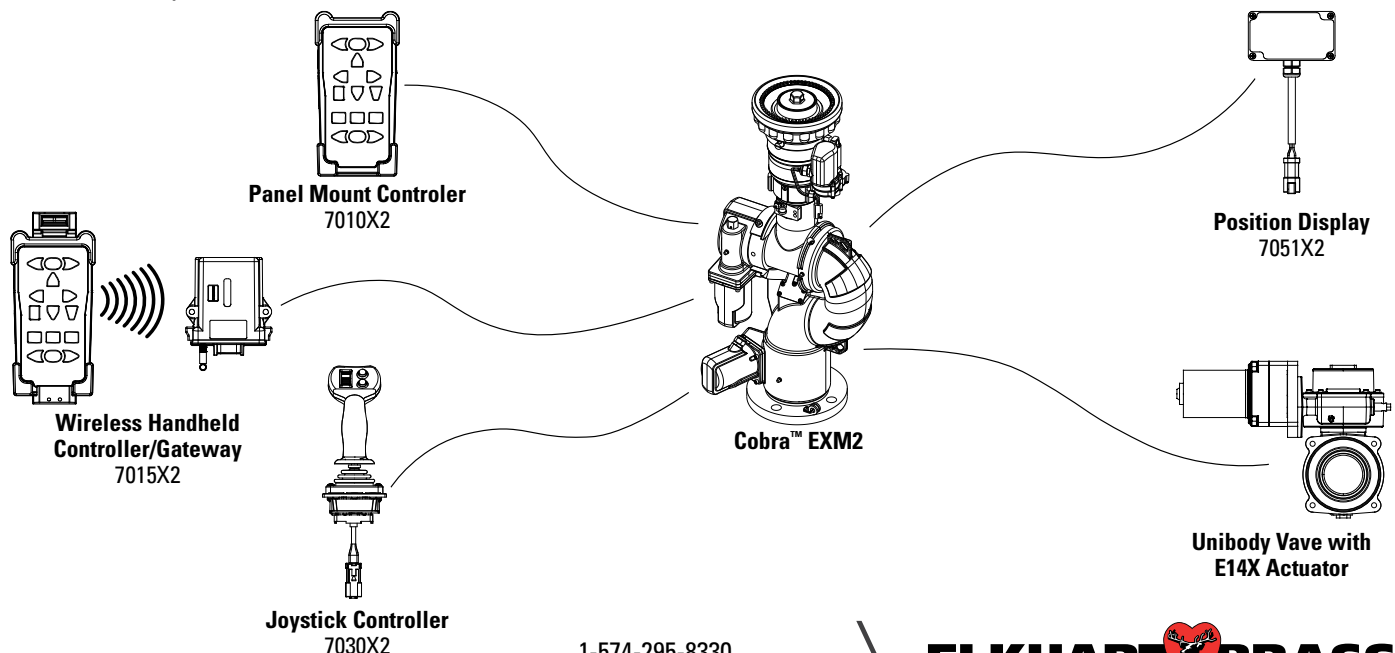


Mechanical Features

- 1250 GPM (5000 LPM) Flow
- Motors and control components sealed to NEMA 4
- Axially aligned thrust bearings for extreme durability
- Absolute position sensors for precise control
- Manual override control in event of power failure
- Teflon impregnated, hard anodized aluminum alloy waterway
- Extreme torque motors

Control Features

- 12 or 24VDC Compatible
- Wired or wireless control options
- CANBUS J1939 compatible
- Programmable STOW, DEPLOY and OSCILLATION
- Programmable travel limits and keep out zones
- Programmable travel speeds
- Integrated water valve control



1-574-295-8330

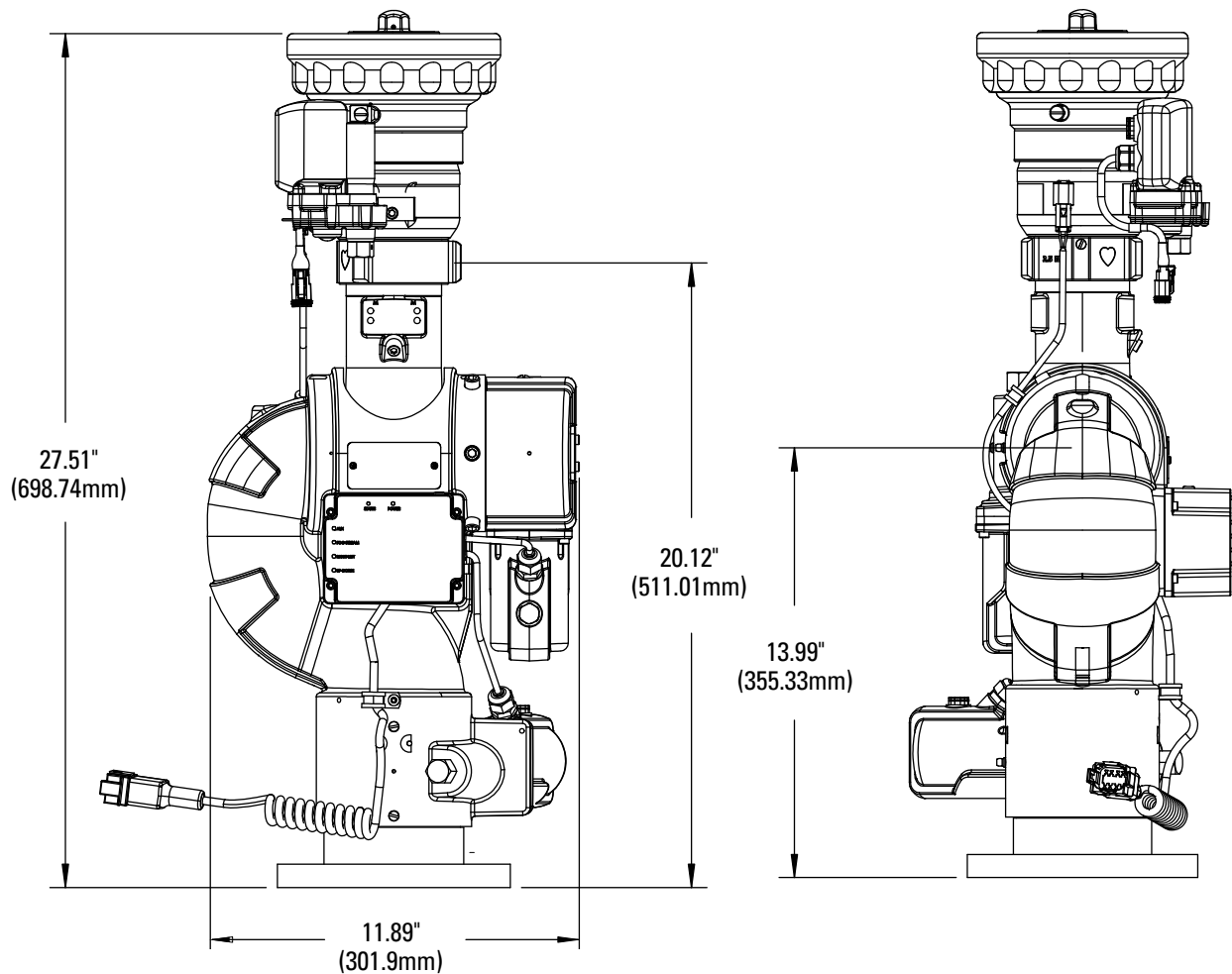
www.elkhartbrass.com

ELKHART BRASS
FIRE FIGHTING EQUIPMENT A SAFE FLEET BRAND

DATA SHEET

Cobra EXM2 Monitor

Specifications	
Model:	7200X2SD/7200X2HD
Max Flow:	1250 GPM (5000 LPM)
Max Pressure:	500 PSI (34.5 bar) Limited Duty
Inlet:	3"-150# Flg, 4"-150# Flg, 3" NPT, 3" BSPT, & DN80-PN16"
Outlet:	2.5" Male NHT & BSPP
Travel:	Vertical: -45° to +120° (165°) w/ Extended Travel Horizontal: L175 to R175 (350°)
Voltage:	12 or 24 VDC compatible
Control:	CANbus J1939
Communication:	915 MHz RF - FCC & IC 868 MHz RF - CE
Material/Finish:	Teflon impregnated, hard anodized Elk-O-Lite®
Swing Radius:	6" (152mm) 180°, 8" (203mm) 360°
Stow Height:	16" (406mm)
Weight:	31 lbs (14 kg)

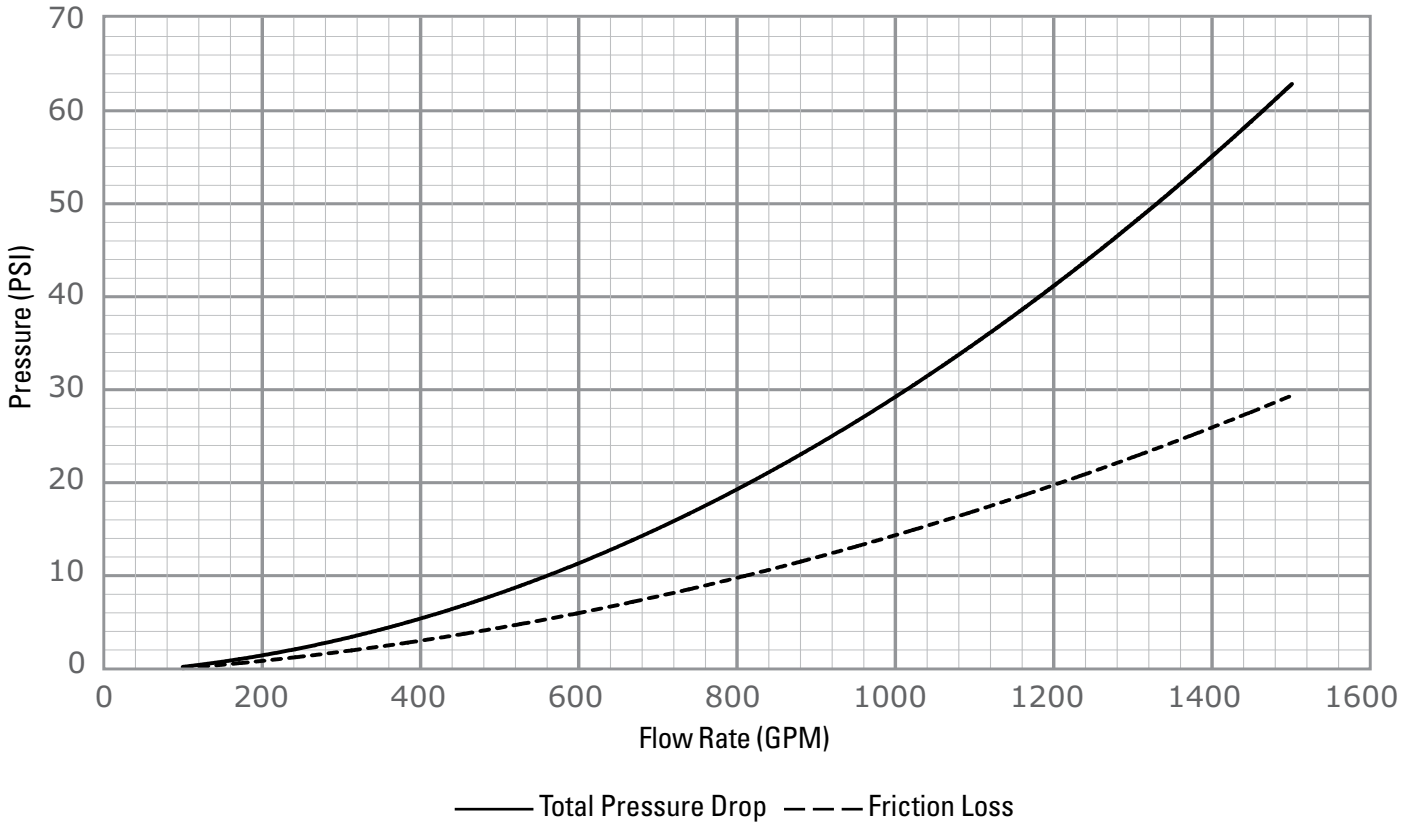


DATA SHEET

Cobra EXM2 Monitor

7200X2 Cobra EXM2 Monitor Pressure Drop

3.0" Inlet and 2.5" Outlet

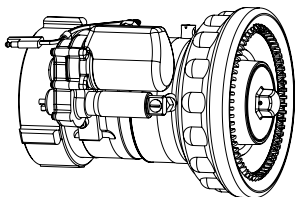


X-Stream® Series Master Stream Nozzles

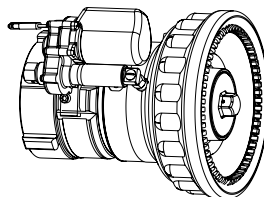
The SM1000E & SM1250E are two electrically actuated master stream nozzles for use with the Cobra EXM2 monitor. The X-Stream series nozzles automatically adjust to maintain an effective stream and maximum reach at variable or reduced flows. Electric actuators are completely sealed and allow precise pattern control from straight stream to wide fog.

Electric Nozzle Specifications

Model	Inlet	Pressure PSI (BAR)	Flow Range - GPM (LPM)
SM-1000E	2.5"	75 (5.2)	350-1000 (1400-4000)
SM-1250E	2.5"	75 (5.2)	350-1250 (1400-5000)



SM-1000E



SM-1250E

